

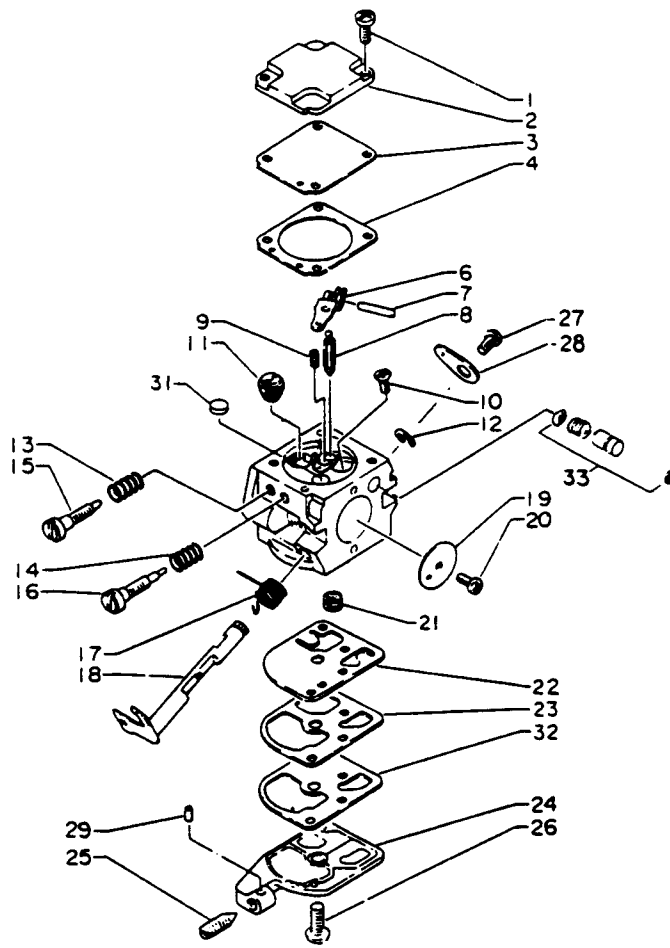
Pitch 3/8" (91S)				Saw chain and guide bar				Pitch 1/4"			
1-67	430 010-1393 0	1	Guide bar 30 cm	1-67	430 410-1393 0	1	Guide bar 25 cm	1-67	430 010-1393 0	1	Guide bar 30 cm
68	431 010-1393 0	1	Saw chain 91S 45E	68	431 610-1393 0	1	Saw chain 25AP 56E	68	431 611-1003 0	1	Saw chain 25AP 68E
75	175 005-1533 0	1	Clutch case 3/8	75	175 007-1533 0	1	Clutch case	75	175 007-1533 0	1	Clutch case

Key No.	Part No.	Q'ty	Description	Key No.	Part No.	Q'ty	Description
1- *	130 302-1503 2	1	Cover ass'y, air cleaner	1- 9	132 115-0146 1	2	Grommet
1	130 406-1393 2	1	Thumb bolt	10	132 010-1393 2	1	Fuel pipe
2	130 313-1503 2	1	Cover, air cleaner	11	131 205-0083 0	1	Fuel strainer
3	900 700-0000 4	1	E-ring 4	12	131 010-3043 0	1	Fuel tank
4	130 310-1393 0	1	Air filter	13	100 223-1393 1	1	Cushion
5	900 242-0401 0	2	Screw 4x10 w/W, SW	15	131 004-1393 3	1	Cap ass'y, fuel tank
6	130 405-1393 2	1	Bracket, air filter	14	131 016-1393 1	1	Gasket, fuel tank
8	437 211-1643 0	1	Pipe	16	131 300-4063 0	1	Vent
				47	131 924-1393 0	1	Cushion
				19	900 242-0505 0	2	Screw 5x50 w/W,SW

Key No.	Part No.	Q'ty	Description	Key No.	Part No.	Q'ty	Description
1- 20	178 510-1393 0	1	Choke rod	1-103	100 100-1393 1	1	Crankshaft ass'y
21	178 515-1393 0	1	Choke shutter	104	100 131-0652 0	1	Woodruff key
22	178 516-0393 0	2	Spacer	106	100 212-1123 0	1	Oil seal
23	125 200-1393 5	1	Carburetor ass'y	107	433 000-1393 1	1	Chain catcher
24	130 016-0643 3	1	Gasket				
25	130 000-1393 2	1	Insulator	108	-900 242-0501 0	1	Screw 5x10
26	130 010-1393 1	1	Gasket	109	100 010-1533 0	1	Piston
27	437 000-1123 0	1	Auto oiler ass'y	110	100 013-1533 0	1	Piston pin
28	-437 020-0283 0	3	O-ring	111	100 015-0463 0	2	Circlip, piston pin
29	-437 019-0283 0	1	Coil spring	112	100 011-0573 1	1	Piston ring
35	900 242-0402 0	1	Screw 4x20	113	101 010-1393 1	1	Gasket, cylinder base
36	351 010-1393 4	1	Top handle	114	101 034-1393 0	1	Cylinder
37	900 242-0401 8	4	Screw 4x18 w/W, SW	115	900 242-0502 0	4	Screw 5x20 w/W, SW
38	178 091-1393 i	1	Spring	116	159 010-1393 0	1	Spark plug CJ8Y
39	900 340-5001 8	1	Spring pin 5x18	117	159 011-0051 0	1	Coil spring, plug cap
40	178 090-1393 0	1	Throttle control lockout	118	159 012-0162 0	1	Cap, spark plug
41	351 012-1393 0	1	Grip, handle	119	152 117-0553 0	2	Spacer
42	178 010-1393 0	1	Throttle trigger	120	156 601-1503 0	1	C.D. Ignition module
43	178 011-1393 0	1	Throttle rod	121	900 242-0502 2	2	Screw 5x22 w/W, SW
44	900 340-5002 5	1	Spring pin 5x25				
45	178 210-0023 0	1	Grommet				
46	890 151-1393 2	1	Decal				
47	100 244-1393 0	2	Screw	126	436 001-1393 2	1	Cap ass'y, oil tank
61	100 139-0393 0	1	Nut	31	-436 114-1393 0	1	Check valve (s)
62	433 016-1393 1	1	Adjusting screw	125	-900 720-0001 6	1	O-ring 16
63	433 014-0393 2	1	Tensioner				
64	433 028-1103 0	1	Clip	127	178 810-0333 0	1	Grommet
65	100 614-1393 0	1	Plug	128	129 010-1393 0	1	Grommet
66	433 011-1393 0	2	Stud	129	129 015-1393 0	1	Grommet
69	433 005-1393 0	1	Cover, guide bar	130	131 038-1393 0	1	Seal
70	433 019-0393 2	2	Flange nut 6	131	156 800-1393 0	1	Flywheel
71	890 118-1513 0	1	Label, ECHO				
73	175 015-1393 1	1	Washer	132	900 600-0000 8	1	Washer 8
74	175 012-0393 0	1	Needle bearing	133	900 605-0000 8	1	Spring washer 8
77	175 000-1393 0	1	Clutch ass'y	134	900 502-0000 8	1	Nut 8
78	175 305-1393 0	1	Seal plate	135	177 234-1393 0	2	Return spring, ratchet
79	175 311-1393 0	1	Spacer	136	177 218-1393 0	2	Ratchet
*****	145 803-1393 2	1	Muffler ass'y (SAM)	137	177 247-0463 0	2	Spacer
85	-900 250-0400 8	4	Screw 4x8	138	177 217-1393 0	2	Screw
81	-145 861-1503 0	1	Lid	139	900 603-0000 5	3	Washer
82	-145 859-1393 0	1	Adapter	****	177 200-1393 2	1	Recoil starter ass'y
83	-145 876-1393 1	1	Muffler lid	140	-900 603-0000 4	1	Washer
				141	-900 241-0401 0	1	Screw 4x10 w/SW
84	-145 862-1393 1	1	Screen (SAM only)	142	-177 215-1973 0	1	Recoil drum
87	-145 858-1393 1	1	Muffler	143	-177 226-0393 0	1	Rope
88	-145 510-1393 1	1	Gasket, muffler	144	-177 220-1973 0	1	Rewind spring
				145	-177 228-1113 0	1	Starter handle
86	-145 642-1393 0	1	Washer	146	-177 227-0533 0	1	Rope guide
89	101 023-1393 0	2	Bolt	147	-101 507-1393 1	1	Fan cover
90	900 242-0401 6	3	Screw 4x16 w/W, SW	192	-177 242-1393 0	1	Side plate
91	156 626-1493 0	1	Ignition coil	148	900 242-0402 5	1	Screw 4x25 w/W, SW
92	156 114-1393 0	1	Grommet	149	890 118-4933 0	1	Label, ECHO
93	156 613-1393 0	1	Cover tube	150	163 400-0652 0	1	Switch
				151	351 205-1393 2	1	Front handle
94	900 242-0403 0	8	Screw 4x30 w/W, SW				
95	100 200-1393 4	1	Crankcase set	155	895 410-0393 0	1	Wrench w/s. driver
105	-100 215-0393 0	2	Knock pin	156	351 826-1393 2	1	Guard, front
96	100 213-0393 0	1	Oil seal	157	351 827-1393 0	1	Spacer
97	100 242-1393 2	1	Gasket, crankcase	169	890 157-1393 0	1	Decal, switch
98	132 115-1113 0	1	Grommet	178	163 413-1393 0	1	Ground plate
99	437 210-1393 0	1	Oil pipe	179	162 021-1393 1	1	Lead wire
100	436 205-0283 2	1	Oil strainer	180	900 248-0401 6	2	Screw 4x16
101	900 702-0003 2	1	Circlip 32	181	900 248-0402 2	1	Screw 4x22
102	900 810-3620 1	2	Ball bearing 6201	182	129 011-0463 0	1	Plate

Remarks:

- *: Consists of 1 thru 3. 95 Includes 105.
- ** : 15 Includes 14. 107 Includes 108.
- 126: 126 Includes 31 and 125. 27 Includes 28 and 29.
- ****: Consists of 140 thru 147 and 192.
- *****: Consists of 81 thru 88.



Key No.	Part No.	Q'ty	Description	Key No.	Part No.	Q'ty	Description
2- *	125 200-1393 5	1	Carburetor ass'y C1S-K1	2- 21	-125 320-4203 0	1	Screen
1	-125 344-5213 0	2	Screw	22	-125 312-1393 1	1	Diaphragm, fuel pump
2	-125 342-5213 0	1	Cover, diaphragm	23	-125 325-1393 1	1	Gasket, fuel pump
3	-125 341-3403 0	1	Diaphragm	24	-125 324-1393 1	1	Pump cover
4	-125 340-4203 0	1	Gasket, diaphragm	25	-125 334-1393 0	1	Screw, idle adjustment
6	-125 323-3403 0	1	Valve arm	26	-125 310-1393 0	1	Screw
7	-125 338-1393 0	1	Arm pin	27	-125 348-1393 0	1	Screw
8	-125 337-1393 0	1	Needle valve	28	-125 350-1393 1	1	Throttle lever
9	-125 322-1393 0	1	Coil spring	29	-125 378-1393 0	1	Friction piece
10	-125 339-1393 0	1	Screw	31	-125 345-1393 0	1	Welsh plug
11	-125 376-1393 0	1	Orifice, main fuel	32	-125 311-1513 0	1	Diaphragm, surge
12	-125 327-1393 0	1	Clip	33	-125 306-3403 0	1	Pump Kit
13 14	-125 319-1393 0	2	Coil spring				
15	-125 320-1393 0	1	Needle, high speed				
16	-125 318-1393 0	1	Needle, idle				
17	-125 313-1393 0	1	Retune spring				
18	-125 317-1393 1	1	Throttle shaft				
19	-125 316-1393 0	1	Throttle shutter				
20	-125 314-1393 0	1	Screw				

Remark:
Consists of 1 thru 33.



KIORITZ CORPORATION

7-2, SUEHIROCHO 1-CHOME, OHME, TOKYO 198, JAPAN
PHONE: 0428-32-6118, FAX: 0428-32-6145, TELEX: 2852070 KIORIT J