

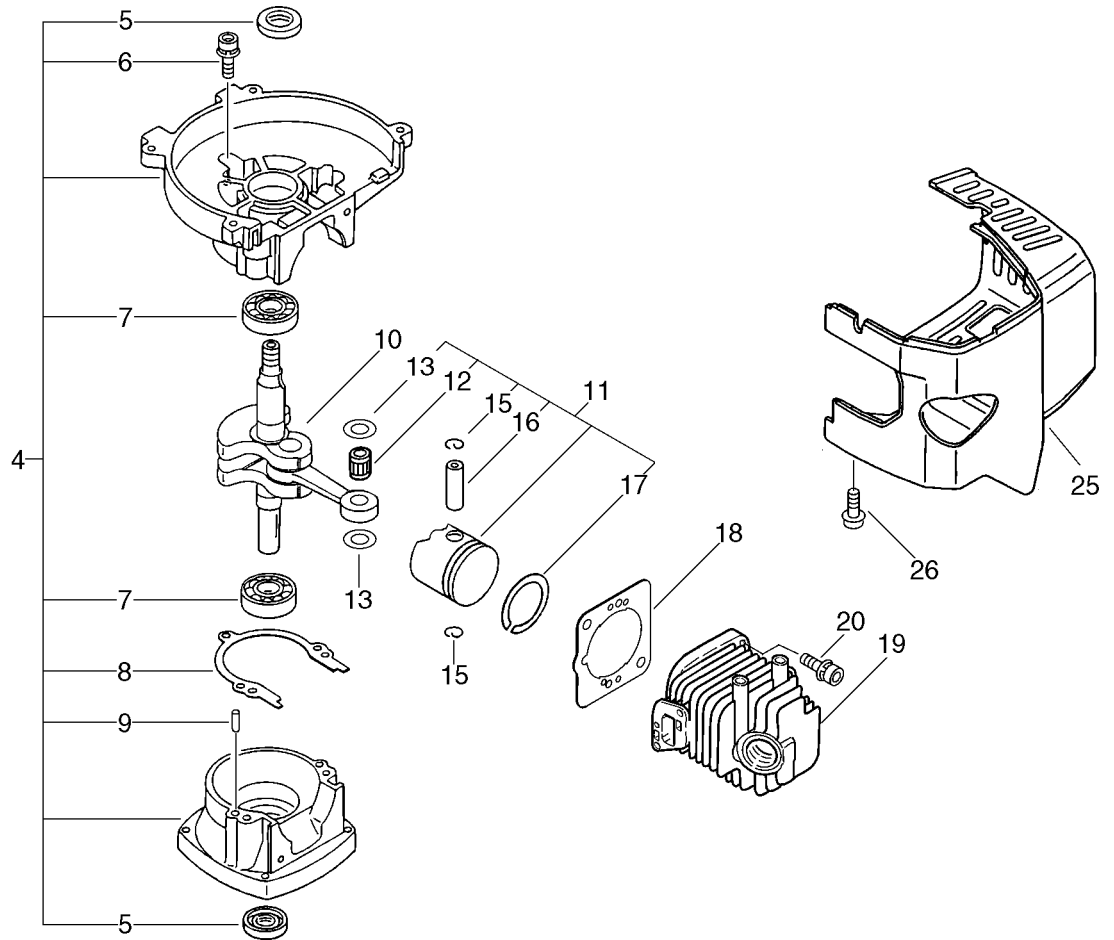


PARTS CATALOGUE

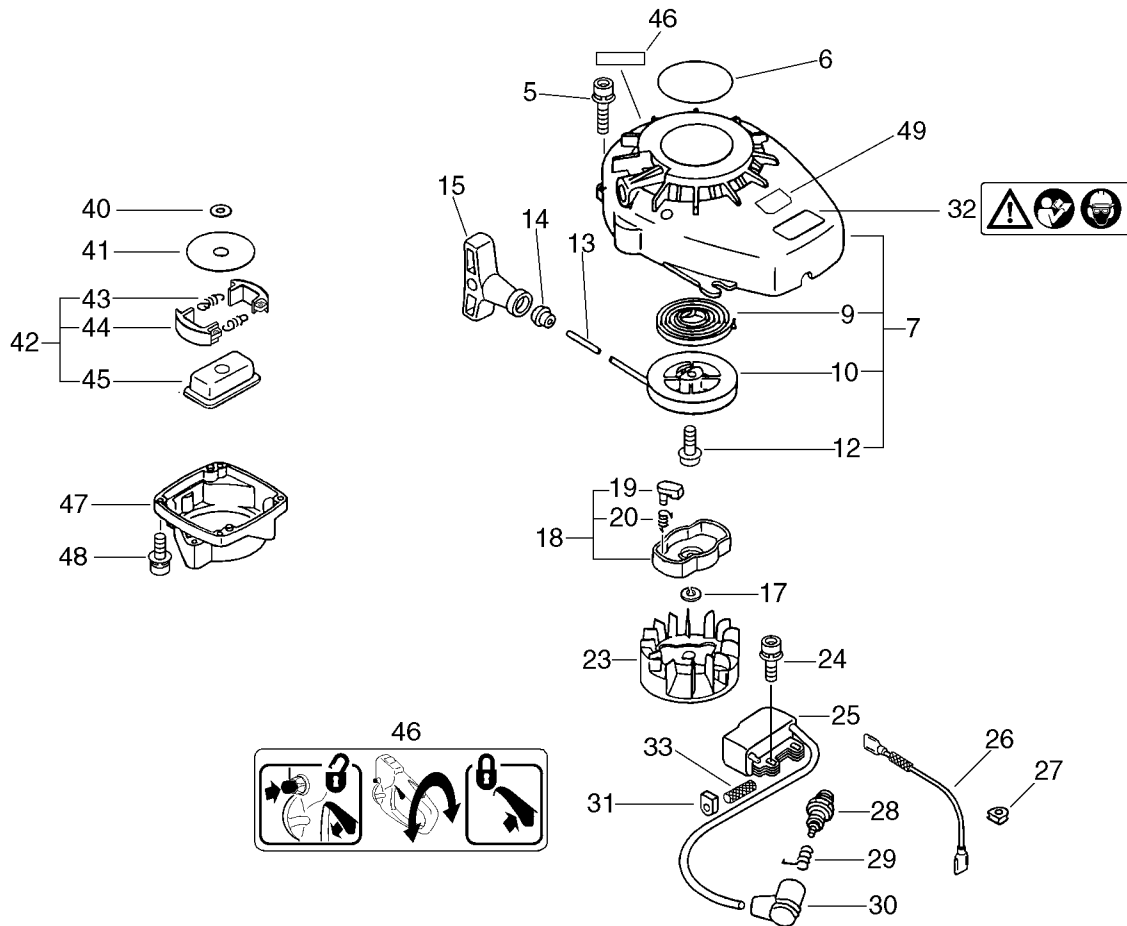
HEDGE CLIPPER

HCR-151A

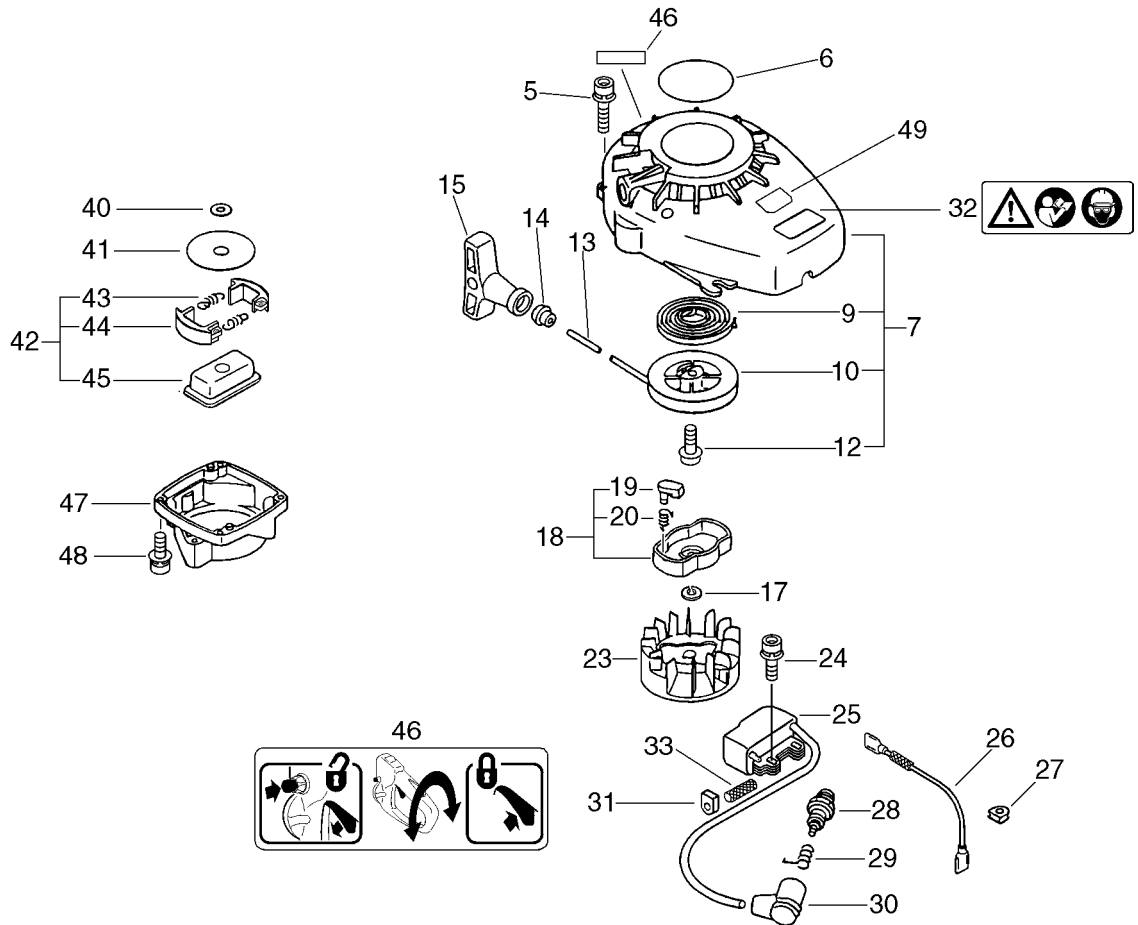
HCR-151A 1 Cylinder, Crankcase, Piston



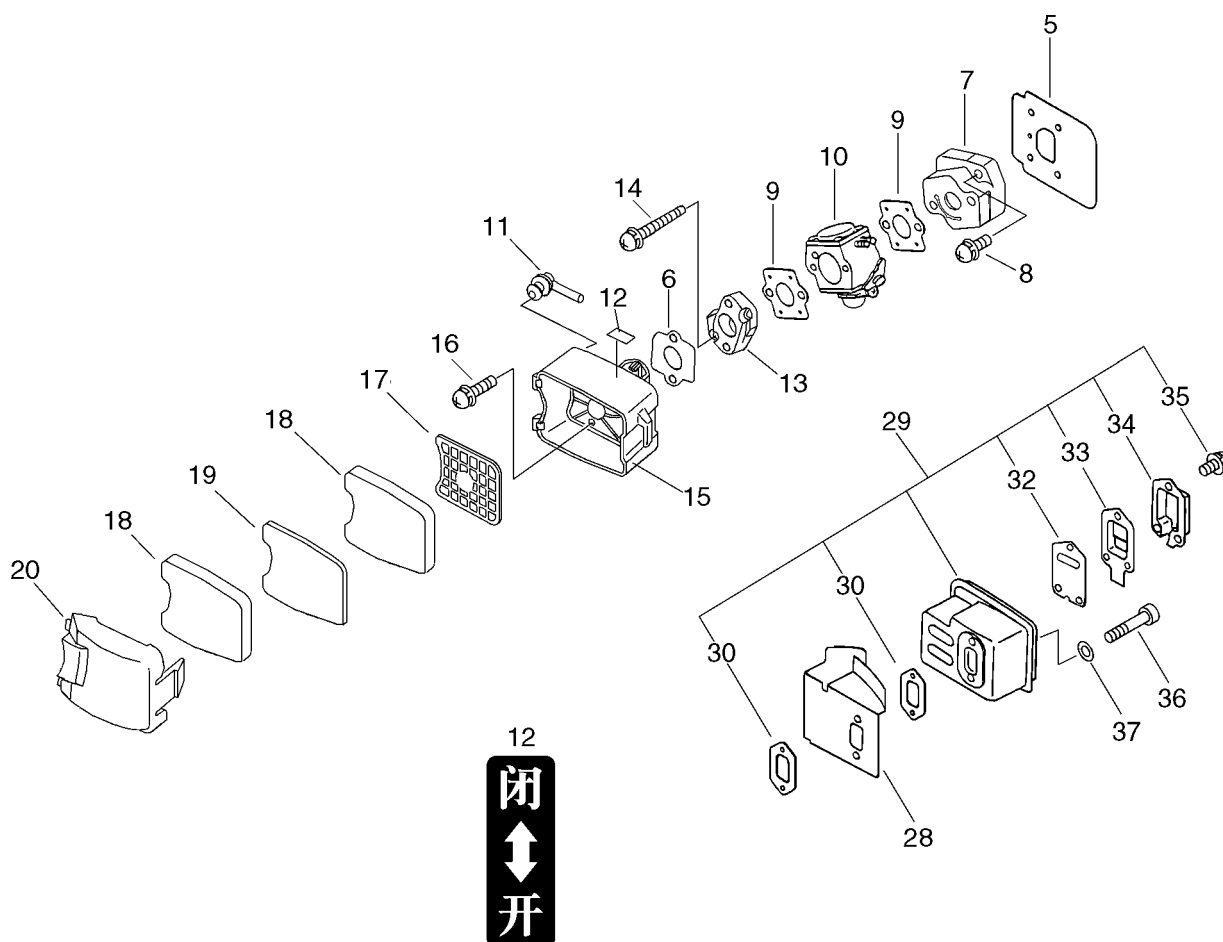
| KEY | LV | PART NUMBER | Q'TY | DESCRIPTION | REMARKS |
|-----|----|--------------|------|---------------------|---------|
| 4 | | 100204-05361 | 1 | CRANKCASE KIT | |
| 5 | + | 100212-42031 | 2 | OILSEAL | |
| 6 | + | 900162-05028 | 3 | BOLT, H.S. 5*28 | |
| 7 | + | 94035-36201 | 2 | BEARING BALL | |
| 8 | + | 100242-42030 | 1 | GASKET, CRANKCASE | |
| 9 | + | 100215-03930 | 2 | PIN, DOWEL | |
| 10 | | A011-000411 | 1 | CRANKSHAFT,ASY | |
| 11 | | P021-007772 | 1 | PISTON KIT | |
| 12 | + | 100113-05930 | 1 | BEARING, NEEDLE | |
| 13 | + | 100014-08960 | 2 | SPACER, PISTON PIN | |
| 15 | + | 100015-04630 | 2 | CIRCLIP, PISTON PIN | |
| 16 | + | 100013-11520 | 1 | PIN, PISTON | |
| 17 | + | A101-000090 | 1 | RING,PISTON | |
| 18 | | V100-000080 | 1 | GASKET,CYL | |
| 19 | | A130-000531 | 1 | CYLINDER | |
| 20 | | 900162-05022 | 2 | BOLT, H.S. 5*22 | |
| 25 | | 101506-06561 | 1 | COVER, CYLINDER | |
| 26 | | 900162-04020 | 2 | BOLT, H.S. 4*20 | |



| KEY | LV | PART NUMBER | Q'TY | DESCRIPTION | REMARKS |
|-----|----|--------------|------|----------------------|---------|
| 5 | | 900162-04016 | 4 | BOLT, H.S. 4*16 | |
| 6 | | X502-000330 | 1 | LABEL, ECHO | |
| 7 | | 177200-06563 | 1 | STARTER ASSEMBLY | |
| 9 | + | 177220-42030 | 1 | SPRING, REWIND | |
| 10 | + | 177215-44430 | 1 | DRUM, STARTER | |
| 12 | + | 177236-44330 | 1 | SCREW | |
| 13 | + | 177226-05530 | 1 | ROPE, STARTER | |
| 14 | + | 177227-42030 | 1 | GUIDE, ROPE | |
| 15 | + | 177228-06530 | 1 | GRIP, STARTER | |
| 17 | | 900605-00008 | 1 | WASHER, SPRING 8 | |
| 18 | | 177202-12220 | 1 | PAWL ASSY, STARTER | |
| 19 | + | 177218-44330 | 1 | PAWL, STARTER | |
| 20 | + | 177234-12220 | 1 | SPRING, PAWL | |
| 23 | | A409-000150 | 1 | ROTOR, MAGNETO | |
| 24 | | 91113-04020 | 2 | BOLT | |
| 25 | | A411-000130 | 1 | COIL, IGNITION | |
| 26 | | V485-000610 | 1 | LEAD | |
| 27 | | 156114-04920 | 1 | GROMMET | |
| 28 | | 159010-30330 | 1 | PLUG, SPARK (BPM-6Y) | |
| 29 | | 159011-03432 | 1 | COIL, SPARK PLUG | |
| 30 | | 159012-03433 | 1 | CAP, SPARK PLUG | |
| 31 | | 156110-04920 | 1 | BUSHING | |
| 32 | | 890617-07660 | 1 | LABEL, CAUTION | |
| 33 | | V475-001900 | 1 | TUBE | |

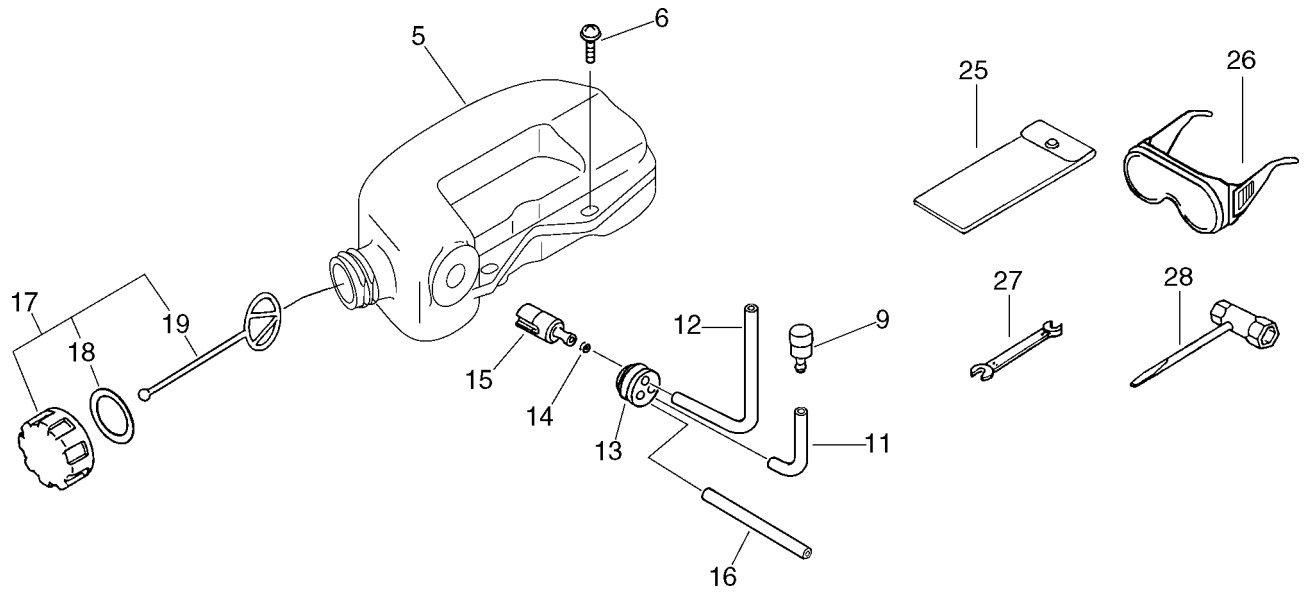


| KEY | LV | PART NUMBER | Q'TY | DESCRIPTION | REMARKS |
|-----|----|--------------|------|-----------------|---------|
| 40 | | 175014-05360 | 1 | WASHER, CLUTCH | |
| 41 | | 175019-04920 | 1 | PLATE, CLUTCH | |
| 42 | | 175000-06560 | 1 | CLUTCH ASSY | |
| 43 | + | 175018-05960 | 2 | SPRING, CLUTCH | |
| 44 | + | 175009-05131 | 2 | SHOE, CLUTCH | |
| 45 | + | 175016-04920 | 1 | HUB, CLUTCH | |
| 46 | | 890123-13360 | 1 | LABEL, CAUTION | |
| 47 | | 175055-05360 | 1 | HOUSING, CLUTCH | |
| 48 | | 900162-04016 | 2 | BOLT, H.S. 4*16 | |
| 49 | | X503-008040 | 1 | LABEL,MODEL | |



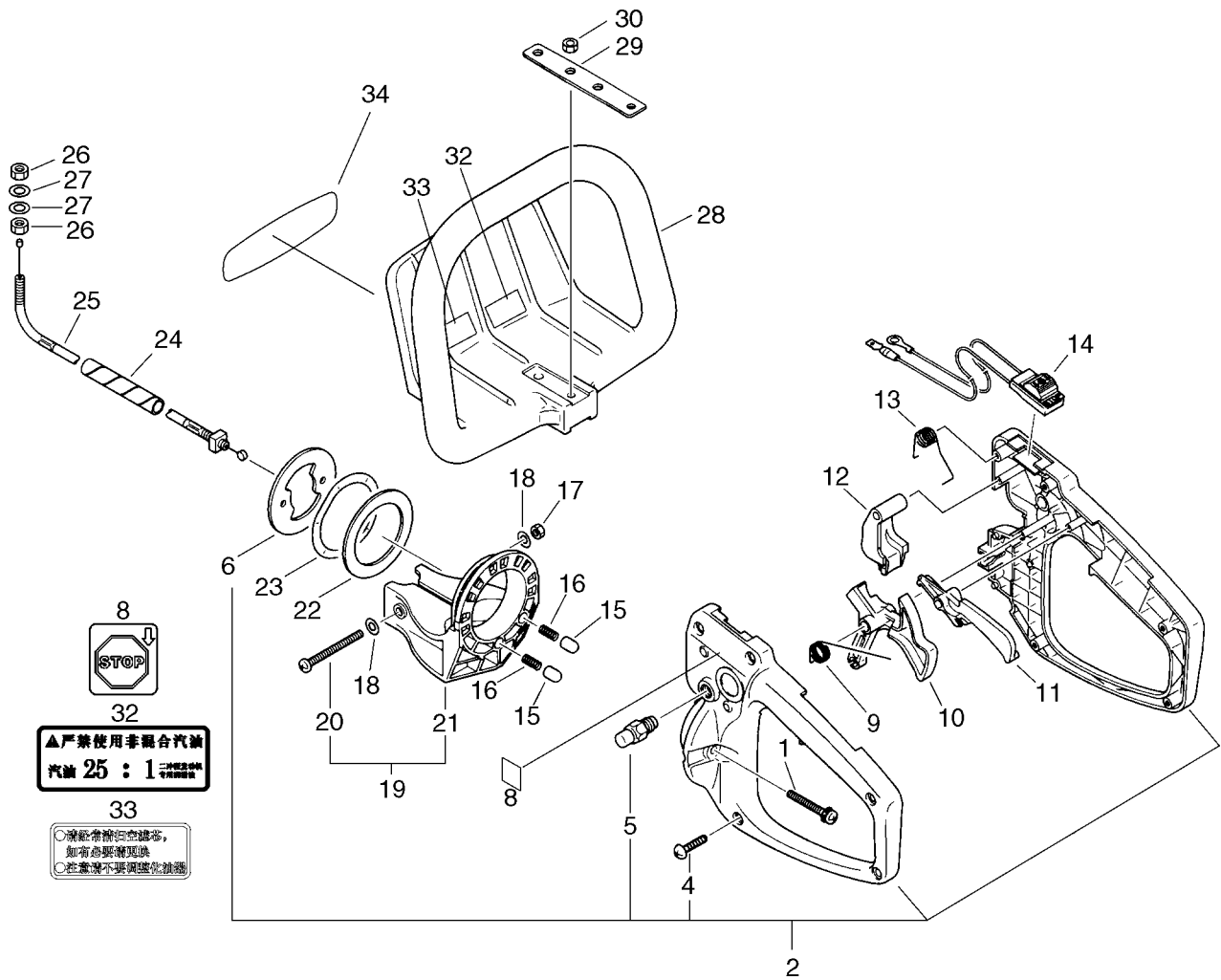
| KEY | LV | PART NUMBER | Q'TY | DESCRIPTION | REMARKS |
|-----|----|--------------|------|----------------------|---------|
| 5 | | 130010-42032 | 1 | GASKET,INTAKE | |
| 6 | | V103-000260 | 1 | GASKET,INTAKE | |
| 7 | | A200-000220 | 1 | INSULATOR, INTAKE | |
| 8 | | 900238-05020 | 2 | SCREW 5*20 | |
| 9 | | 130016-42031 | 2 | GASKET, INTAKE | |
| 10 | | A021-001150 | 1 | CARBURETOR,DIAPHRAGM | |
| 11 | | V470-000620 | 1 | PIPE | |
| 12 | | X506-000060 | 1 | LABEL,CHOKE | |
| 13 | | V376-000750 | 1 | SPACER | |
| 14 | | 900242-05060 | 2 | SCREW 5*60 | |
| 15 | | P021-009353 | 1 | CASE, AIR CLEANER | |
| 16 | | 900242-05016 | 2 | SCREW 5*16 | |
| 17 | | A230-000000 | 1 | GRID, CLEANER | |
| 18 | | A226-000300 | 2 | ELEMENT, AIR FILTER | |
| 19 | | A226-000310 | 1 | ELEMENT, AIR FILTER | |
| 20 | | A232-000312 | 1 | LID,CLEANER | |
| 28 | | 145871-05360 | 1 | COVER, MUFFLER | |
| 29 | | P021-009360 | 1 | MUFFLER ASY | |
| 30 | + | V104-000160 | 2 | GASKET,EXHAUST | |
| 32 | + | V104-000321 | 1 | GASKET,EXHAUST | |
| 33 | + | 145876-42030 | 1 | LID, MUFFLER (B) | |
| 34 | + | 145863-08960 | 1 | GUIDE, EXHAUST | |
| 35 | + | 900242-04010 | 3 | SCREW 4*10 | |
| 36 | | 900105-05050 | 2 | BOLT, H.S. 5*50 | |
| 37 | | 900600-00005 | 2 | WASHER 5 | |

HCR-151A 4 Fuel Tank, Tools



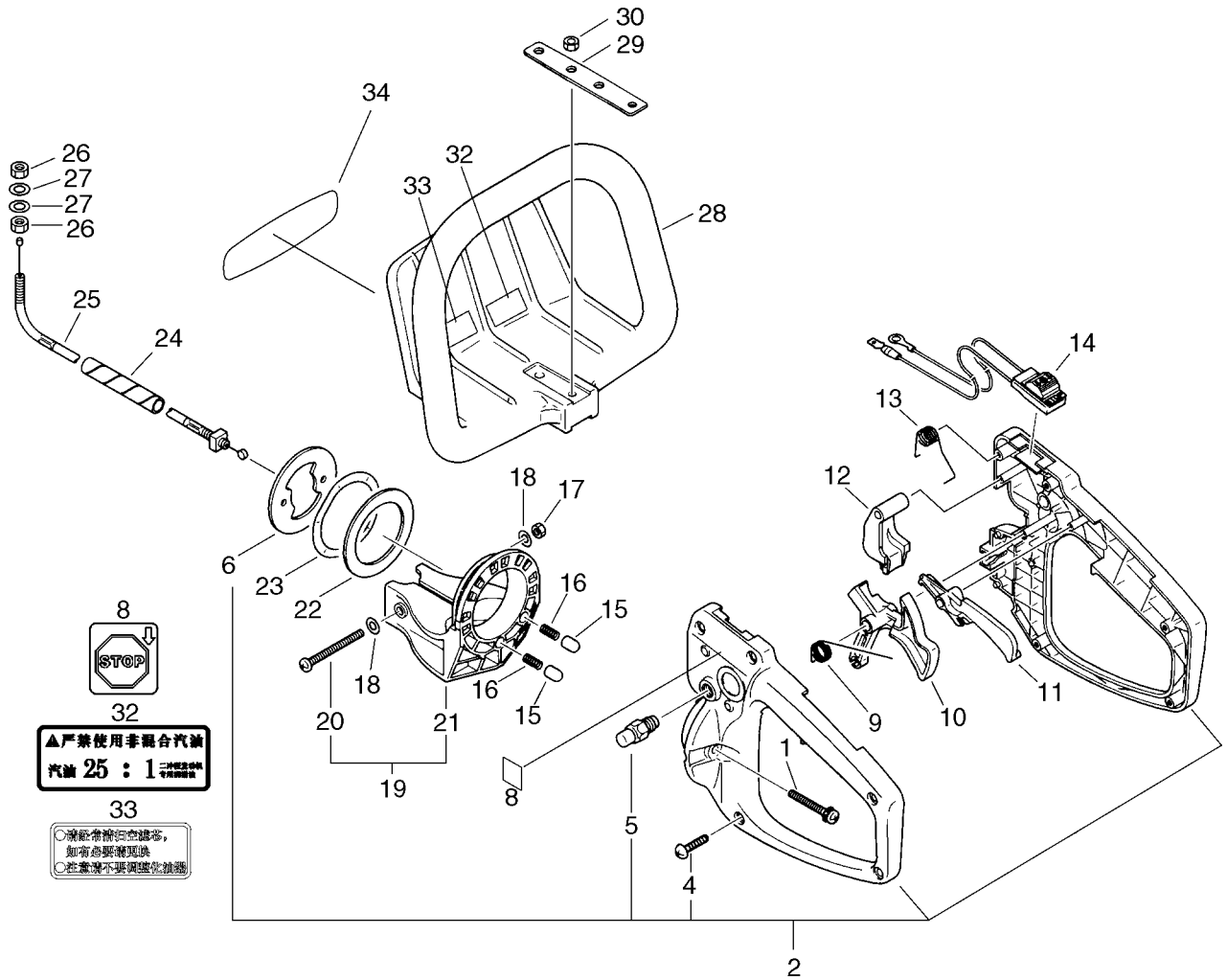
| KEY | LV | PART NUMBER | Q'TY | DESCRIPTION | REMARKS |
|-----|----|--------------|------|---------------------|---------|
| 5 | | A350-000272 | 1 | TANK,FUEL | |
| 6 | | 900239-05016 | 2 | SCREW 5*16 | |
| 9 | | 131300-56430 | 1 | VALVE, CHECK | |
| 11 | | V471-001200 | 1 | PIPE | |
| 12 | | V470-000580 | 1 | PIPE | |
| 13 | | 132115-46730 | 1 | GROMMET, FUEL | |
| 14 | | 132013-09820 | 1 | CLIP | |
| 15 | | 131205-07320 | 1 | STRAINER, FUEL | |
| 16 | | 132010-40830 | 1 | PIPE 3* 6* 75 | |
| 17 | | 131004-08960 | 1 | CAP ASSY, FUEL | |
| 18 | + | 131016-55830 | 1 | GASKET, FUEL CAP | |
| 19 | + | 131051-52430 | 1 | CONNECTOR, CAP | |
| 25 | | 898510-39130 | 1 | BAG, TOOL | |
| 26 | | X690-000021 | 1 | GOGGLE | |
| 27 | | 895112-00330 | 1 | SPANNER 8*10 | |
| 28 | | 895410-00430 | 1 | WRENCH, W/S. DRIVER | |

HCR-151A 5 Handle



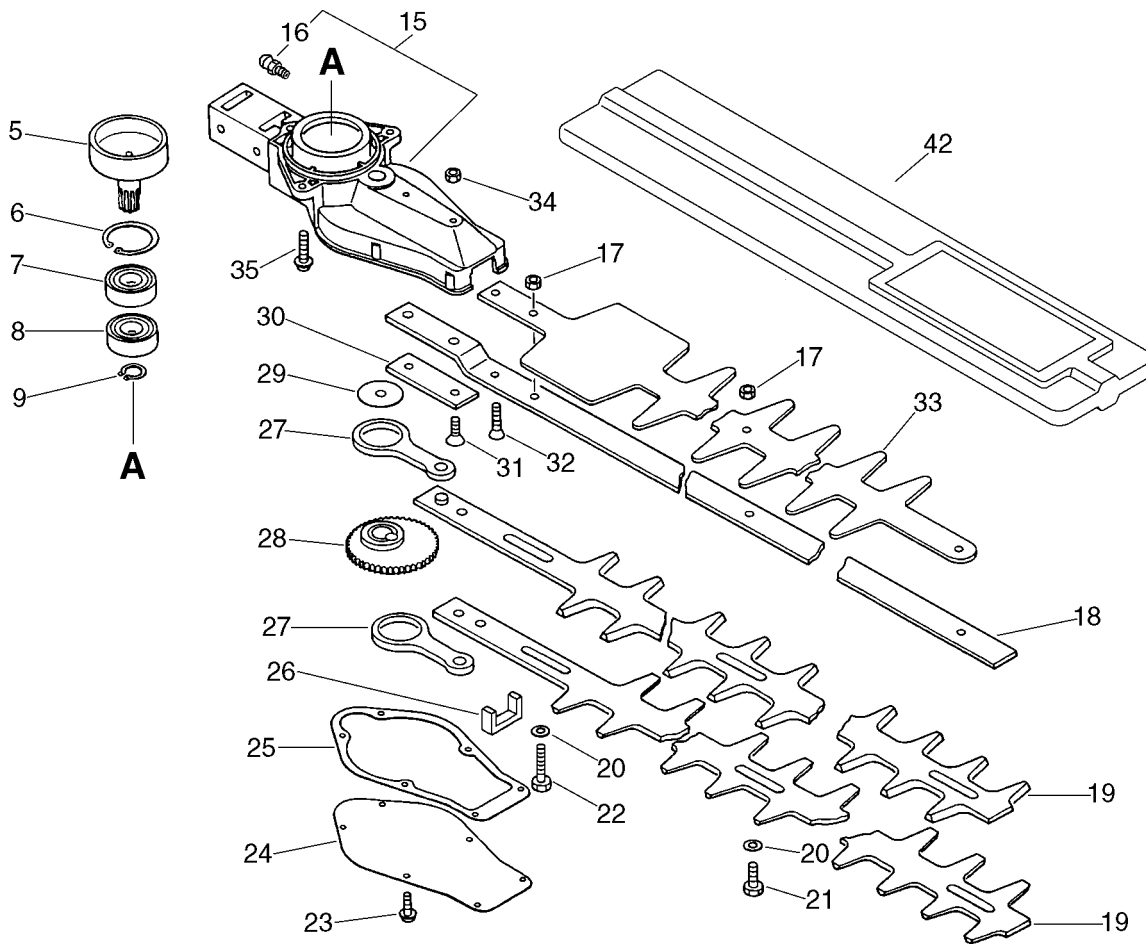
| KEY | LV | PART NUMBER | Q'TY | DESCRIPTION | REMARKS |
|-----|----|--------------|------|-------------------|---------|
| 1 | | 900238-05030 | 2 | SCREW 5*30 | |
| 2 | | 351101-13360 | 1 | HANDLE SET, REAR | |
| 4 | + | 900256-04016 | 5 | SCREW 4*16 | |
| 5 | + | 178302-13360 | 1 | LATCH ASY | |
| 6 | + | 351313-13361 | 1 | BRACKET, HANDLE | |
| 8 | | 890157-39130 | 1 | LABEL, SWITCH | |
| 9 | | 178013-13660 | 1 | SPRING, TORSION | |
| 10 | | 178010-13361 | 1 | TRIGGER, THROTTLE | |
| 11 | | 178012-13360 | 1 | LOCKOUT, THROTTLE | |
| 12 | | 351648-13360 | 1 | STOPPER, HANDLE | |
| 13 | | 178043-13660 | 1 | SPRING, TORSION | |
| 14 | | 163400-13360 | 1 | SWITCH, ON OFF | |
| 15 | | 605611-13360 | 2 | PIN | |
| 16 | | 178043-13360 | 2 | SPRING | |
| 17 | | 900560-00005 | 2 | NUT, LOCK 5 | |
| 18 | | 900600-00005 | 4 | WASHER 5 | |
| 19 | | 351308-13360 | 1 | FIXTURE, HANDLE | |
| 20 | + | 900220-05045 | 2 | SCREW 5*45 | |
| 21 | + | 351312-13361 | 1 | BRACKET, HANDLE | |
| 22 | | 689025-13361 | 1 | WASHER, CIRCULAR | |
| 23 | | 178129-13361 | 1 | WASHER | |
| 24 | | V475-003620 | 2 | TUBE | |
| 25 | | 178001-13360 | 1 | CABLE, THROTTLE | |
| 26 | | 900502-00006 | 2 | NUT 6 (3N) | |

HCR-151A 5 Handle



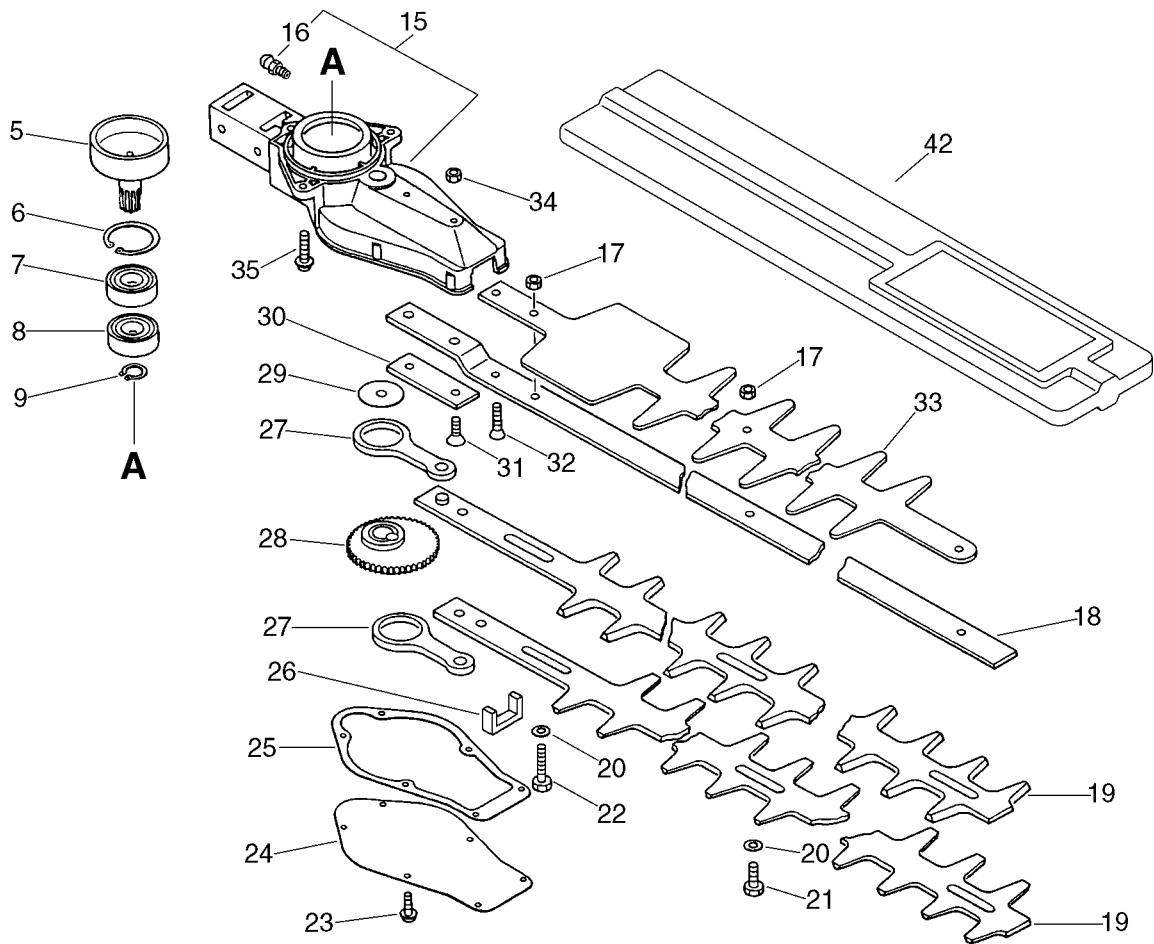
| KEY | LV | PART NUMBER | Q'TY | DESCRIPTION | REMARKS |
|-----|----|--------------|------|----------------|---------|
| 27 | | 900600-00006 | 2 | WASHER 6 | |
| 28 | | 351610-05360 | 1 | HANDLE, FRONT | |
| 29 | | V150-001550 | 1 | PLATE, EYE | |
| 30 | | 900560-00005 | 1 | NUT, LOCK 5 | |
| 32 | | X505-001350 | 1 | LABEL, CAUTION | |
| 33 | | X505-001340 | 1 | LABEL, CAUTION | |
| 34 | | X502-000430 | 1 | LABEL, ECHO | |

HCR-151A 6 Gear Case, Cutter

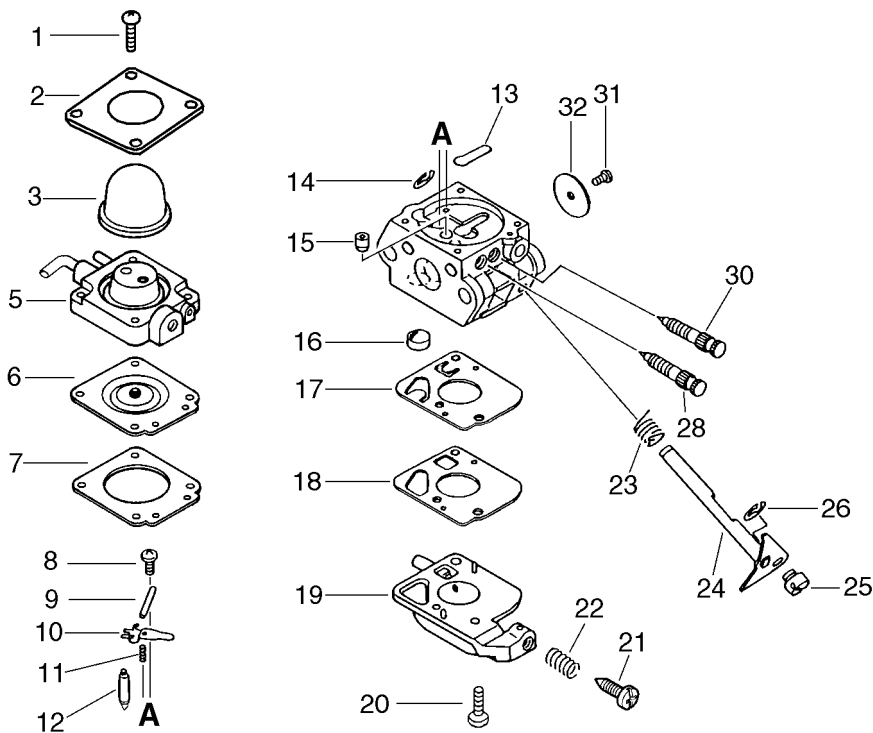


| KEY | LV | PART NUMBER | Q'TY | DESCRIPTION | REMARKS |
|-----|----|--------------|------|----------------------|---------|
| | | P021-010440 | 1 | HOUSING ASSY,GEAR | |
| 5 | + | 175005-04560 | 1 | DRUM, CLUTCH | |
| 6 | + | 900702-00035 | 1 | CIRCLIP 35 | |
| 7 | + | 900812-06202 | 1 | BEARING, BALL 6202 | |
| 8 | + | 900810-36202 | 1 | BEARING, BALL 6202 | |
| 9 | + | 900701-00014 | 1 | CIRCLIP 14 | |
| 15 | + | 610407-05361 | 1 | CASE, GEAR | |
| 16 | ++ | 880110-10860 | 1 | NIPPLE, GREASE | |
| 17 | + | 433022-06460 | 4 | NUT | |
| 18 | + | 699110-06960 | 1 | BAR, FRAME | |
| 19 | + | X411-000280 | 2 | CUTTER | |
| 20 | + | 699118-04560 | 4 | WASHER | |
| 21 | + | 699115-04660 | 3 | BOLT 6 | |
| 22 | + | 699115-05360 | 1 | BOLT | |
| 23 | + | 900162-04010 | 6 | BOLT, H.S. 4*10 | |
| 24 | + | 610411-05361 | 1 | LID, GEARCASE | |
| 25 | + | 610414-05360 | 1 | GASKET, GEAR HOUSING | |
| 26 | + | 610425-04560 | 1 | SEAL | |
| 27 | + | C532-000120 | 2 | ROD, CONNECTING | |
| 28 | + | 610312-04560 | 1 | GEAR | |
| 29 | + | 610350-04560 | 1 | WASHER | |
| 30 | + | 610440-04560 | 1 | HOLDER, FRAME | |
| 31 | + | 900212-06025 | 2 | SCREW 6*25 | |
| 32 | + | 900212-05030 | 1 | SCREW (5*30*P0.8) | |

HCR-151A 6 Gear Case, Cutter

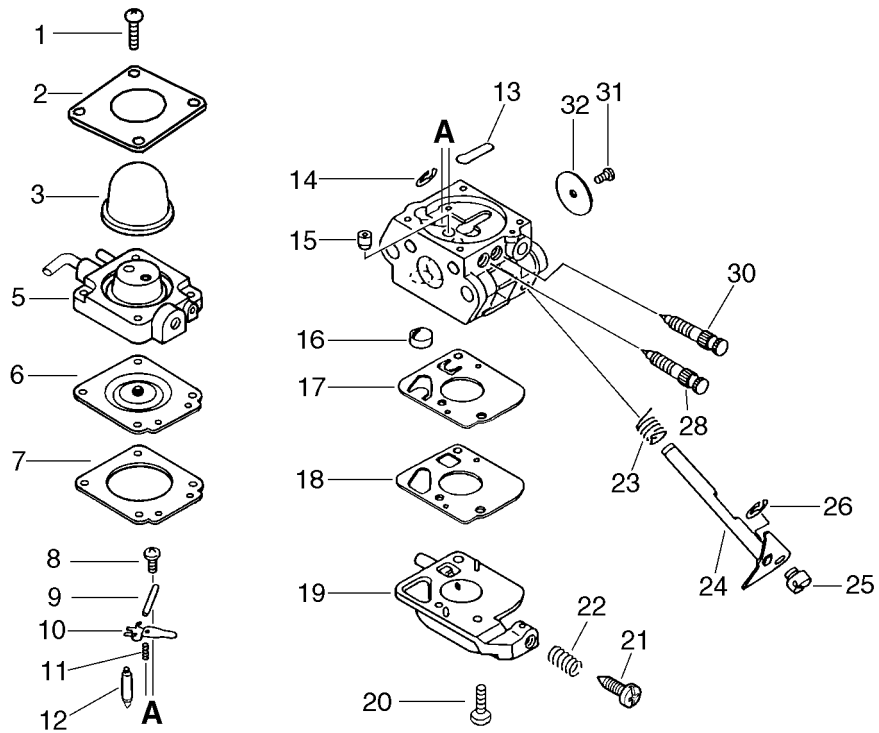


| KEY | LV | PART NUMBER | Q'TY | DESCRIPTION | REMARKS |
|-----|----|--------------|------|-----------------|---------|
| 33 | + | 699125-06560 | 1 | BLUNT | |
| 34 | + | 900502-00006 | 2 | NUT 6 (3N) | |
| 35 | + | 900162-05020 | 3 | BOLT, H.S. 5*20 | |
| 42 | | X495-000051 | 1 | SCABBARD, BLADE | |



| KEY | LV | PART NUMBER | Q'TY | DESCRIPTION | REMARKS |
|-----|----|--------------|------|----------------------|---------|
| | | A021-001150 | 1 | CARBURETOR,DIAPHRAGM | |
| 1 | + | P005-001940 | 4 | SCREW | |
| 2 | + | P005-000620 | 1 | RETAINER | |
| 3 | + | 125381-08660 | 1 | PUMP, PRIMING | |
| 5 | + | P005-001930 | 1 | BASE ASY,PRIMER | |
| 6 | + | P005-001950 | 1 | DIAPHRAGM ,METERING | |
| 7 | + | 125340-20560 | 1 | GASKET, DIAPHRAGM | |
| 8 | + | 125339-42030 | 1 | SCREW | |
| 9 | + | 125338-13930 | 1 | PIN, METERING ARM | |
| 10 | + | 125323-42030 | 1 | LEVER, METERING | |
| 11 | + | 125322-42030 | 1 | SPRING, COIL | |
| 12 | + | 125337-06960 | 1 | VALVE,INLET NEEDLE | |
| 13 | + | 125345-15130 | 1 | PLUG,WELCH | |
| 14 | + | 125327-15130 | 1 | CLIP | |
| 15 | + | 125376-13120 | 1 | NOZZLE, CHECK VALVE | |
| 16 | + | 125326-42030 | 1 | STRAINER | |
| 17 | + | 125312-12820 | 1 | DIAPHRAGM, FUEL PUMP | |
| 18 | + | 125325-13310 | 1 | GASKET, PUMP | |
| 19 | + | 125324-12820 | 1 | COVER, PUMP | |
| 20 | + | 125310-12820 | 2 | SCREW | |
| 21 | + | 125334-06960 | 1 | SCREW,THROTTLEADJUST | |
| 22 | + | 125333-06960 | 1 | SPRING,IDLE ADJUSTER | |
| 23 | + | 125313-42030 | 1 | SPRING, THRT. RETURN | |
| 24 | + | P005-000390 | 1 | SHAFT, THROTTLE | |

HCR-151A 7 Carburettor



| KEY | LV | PART NUMBER | Q'TY | DESCRIPTION | REMARKS |
|-----|----|--------------|------|--------------------|---------|
| 25 | + | 125372-42030 | 1 | SWIVEL | |
| 26 | + | 125327-13930 | 1 | CLIP | |
| 28 | + | 125320-13310 | 1 | NEEDLE, HIGH SPEED | |
| 30 | + | 125318-13120 | 1 | SCREW, IDLE NEEDLE | |
| 31 | + | 125314-13930 | 1 | SCREW | |
| 32 | + | 125316-49030 | 1 | VALVE, THROTTLE | |

| KEY | LV | PART NUMBER | Q'TY | DESCRIPTION | REMARKS |
|------|----|--------------|------|----------------------|---------|
| | | P005-001960 | 1 | DIAPHRAGM/GASKET KIT | |
| 7-6 | + | P005-001950 | 1 | DIAPHRAGM ,METERING | |
| 7-7 | + | 125340-20560 | 1 | GASKET, DIAPHRAGM | |
| 7-17 | + | 125312-12820 | 1 | DIAPHRAGM, FUEL PUMP | |
| 7-18 | + | 125325-13310 | 1 | GASKET, PUMP | |
| | | P005-001970 | 1 | REBUILD KIT | |
| 7-6 | + | P005-001950 | 1 | DIAPHRAGM ,METERING | |
| 7-7 | + | 125340-20560 | 1 | GASKET, DIAPHRAGM | |
| 7-9 | + | 125338-13930 | 1 | PIN, METERING ARM | |
| 7-10 | + | 125323-42030 | 1 | LEVER, METERING | |
| 7-11 | + | 125322-42030 | 1 | SPRING, COIL | |
| 7-12 | + | 125337-06960 | 1 | VALVE,INLET NEEDLE | |
| 7-13 | + | 125345-15130 | 1 | PLUG, WELCH | |
| 7-16 | + | 125326-42030 | 1 | STRAINER | |
| 7-17 | + | 125312-12820 | 1 | DIAPHRAGM, FUEL PUMP | |
| 7-18 | + | 125325-13310 | 1 | GASKET, PUMP | |

Index

| Parts Number | Key No. | Parts Number | Key No. | Parts Number | Key No. |
|---------------------|----------------|---------------------|----------------|---------------------|----------------|
| A011-000411 | 1 - 10 | 100015-04630 | 1 - 15 | 132115-46730 | 4 - 13 |
| A021-001150 | 3 - 10 | 100113-05930 | 1 - 12 | 145863-08960 | 3 - 34 |
| A021-001150 | 7 - | 100204-05361 | 1 - 4 | 145871-05360 | 3 - 28 |
| A101-000090 | 1 - 17 | 100212-42031 | 1 - 5 | 145876-42030 | 3 - 33 |
| A130-000531 | 1 - 19 | 100215-03930 | 1 - 9 | 156110-04920 | 2 - 31 |
| A200-000220 | 3 - 7 | 100242-42030 | 1 - 8 | 156114-04920 | 2 - 27 |
| A226-000300 | 3 - 18 | 101506-06561 | 1 - 25 | 159010-30330 | 2 - 28 |
| A226-000310 | 3 - 19 | 125310-12820 | 7 - 20 | 159011-03432 | 2 - 29 |
| A230-000000 | 3 - 17 | 125312-12820 | 7 - 17 | 159012-03433 | 2 - 30 |
| A232-000312 | 3 - 20 | 125312-12820 | 8 - | 163400-13360 | 5 - 14 |
| A350-000272 | 4 - 5 | 125313-42030 | 7 - 23 | 175000-06560 | 2 - 42 |
| A409-000150 | 2 - 23 | 125314-13930 | 7 - 31 | 175005-04560 | 6 - 5 |
| A411-000130 | 2 - 25 | 125316-49030 | 7 - 32 | 175009-05131 | 2 - 44 |
| C532-000120 | 6 - 27 | 125318-13120 | 7 - 30 | 175014-05360 | 2 - 40 |
| P005-000390 | 7 - 24 | 125320-13310 | 7 - 28 | 175016-04920 | 2 - 45 |
| P005-000620 | 7 - 2 | 125322-42030 | 7 - 11 | 175018-05960 | 2 - 43 |
| P005-001930 | 7 - 5 | 125322-42030 | 8 - | 175019-04920 | 2 - 41 |
| P005-001940 | 7 - 1 | 125323-42030 | 7 - 10 | 175055-05360 | 2 - 47 |
| P005-001950 | 7 - 6 | 125323-42030 | 8 - | 177200-06563 | 2 - 7 |
| P005-001950 | 8 - | 125324-12820 | 7 - 19 | 177202-12220 | 2 - 18 |
| P005-001960 | 8 - | 125325-13310 | 7 - 18 | 177215-44430 | 2 - 10 |
| P005-001970 | 8 - | 125325-13310 | 8 - | 177218-44330 | 2 - 19 |
| P021-007772 | 1 - 11 | 125326-42030 | 7 - 16 | 177220-42030 | 2 - 9 |
| P021-009353 | 3 - 15 | 125326-42030 | 8 - | 177226-05530 | 2 - 13 |
| P021-009360 | 3 - 29 | 125327-13930 | 7 - 26 | 177227-42030 | 2 - 14 |
| P021-010440 | 6 - | 125327-15130 | 7 - 14 | 177228-06530 | 2 - 15 |
| V100-000080 | 1 - 18 | 125333-06960 | 7 - 22 | 177234-12220 | 2 - 20 |
| V103-000260 | 3 - 6 | 125334-06960 | 7 - 21 | 177236-44330 | 2 - 12 |
| V104-000160 | 3 - 30 | 125337-06960 | 7 - 12 | 178001-13360 | 5 - 25 |
| V104-000321 | 3 - 32 | 125337-06960 | 8 - | 178010-13361 | 5 - 10 |
| V150-001550 | 5 - 29 | 125338-13930 | 7 - 9 | 178012-13360 | 5 - 11 |
| V376-000750 | 3 - 13 | 125338-13930 | 8 - | 178013-13660 | 5 - 9 |
| V470-000580 | 4 - 12 | 125339-42030 | 7 - 8 | 178043-13360 | 5 - 16 |
| V470-000620 | 3 - 11 | 125340-20560 | 7 - 7 | 178043-13660 | 5 - 13 |
| V471-001200 | 4 - 11 | 125340-20560 | 8 - | 178129-13361 | 5 - 23 |
| V475-001900 | 2 - 33 | 125345-15130 | 7 - 13 | 178302-13360 | 5 - 5 |
| V475-003620 | 5 - 24 | 125345-15130 | 8 - | 351101-13360 | 5 - 2 |
| V485-000610 | 2 - 26 | 125372-42030 | 7 - 25 | 351308-13360 | 5 - 19 |
| X411-000280 | 6 - 19 | 125376-13120 | 7 - 15 | 351312-13361 | 5 - 21 |
| X495-000051 | 6 - 42 | 125381-08660 | 7 - 3 | 351313-13361 | 5 - 6 |
| X502-000330 | 2 - 6 | 130010-42032 | 3 - 5 | 351610-05360 | 5 - 28 |
| X502-000430 | 5 - 34 | 130016-42031 | 3 - 9 | 351648-13360 | 5 - 12 |
| X503-008040 | 2 - 49 | 131004-08960 | 4 - 17 | 433022-06460 | 6 - 17 |
| X505-001340 | 5 - 33 | 131016-55830 | 4 - 18 | 605611-13360 | 5 - 15 |
| X505-001350 | 5 - 32 | 131051-52430 | 4 - 19 | 610312-04560 | 6 - 28 |
| X506-000060 | 3 - 12 | 131205-07320 | 4 - 15 | 610350-04560 | 6 - 29 |
| X690-000021 | 4 - 26 | 131300-56430 | 4 - 9 | 610407-05361 | 6 - 15 |
| 100013-11520 | 1 - 16 | 132010-40830 | 4 - 16 | 610411-05361 | 6 - 24 |
| 100014-08960 | 1 - 13 | 132013-09820 | 4 - 14 | 610414-05360 | 6 - 25 |

Index

| Parts Number | Key No. | Parts Number | Key No. | Parts Number | Key No. |
|---------------------|----------------|---------------------|----------------|---------------------|----------------|
| 610425-04560 | 6 - 26 | | | | |
| 610440-04560 | 6 - 30 | | | | |
| 689025-13361 | 5 - 22 | | | | |
| 699110-06960 | 6 - 18 | | | | |
| 699115-04660 | 6 - 21 | | | | |
| 699115-05360 | 6 - 22 | | | | |
| 699118-04560 | 6 - 20 | | | | |
| 699125-06560 | 6 - 33 | | | | |
| 880110-10860 | 6 - 16 | | | | |
| 890123-13360 | 2 - 46 | | | | |
| 890157-39130 | 5 - 8 | | | | |
| 890617-07660 | 2 - 32 | | | | |
| 895112-00330 | 4 - 27 | | | | |
| 895410-00430 | 4 - 28 | | | | |
| 898510-39130 | 4 - 25 | | | | |
| 900105-05050 | 3 - 36 | | | | |
| 900162-04010 | 6 - 23 | | | | |
| 900162-04016 | 2 - 5 | | | | |
| 900162-04016 | 2 - 48 | | | | |
| 900162-04020 | 1 - 26 | | | | |
| 900162-05020 | 6 - 35 | | | | |
| 900162-05022 | 1 - 20 | | | | |
| 900162-05028 | 1 - 6 | | | | |
| 900212-05030 | 6 - 32 | | | | |
| 900212-06025 | 6 - 31 | | | | |
| 900220-05045 | 5 - 20 | | | | |
| 900238-05020 | 3 - 8 | | | | |
| 900238-05030 | 5 - 1 | | | | |
| 900239-05016 | 4 - 6 | | | | |
| 900242-04010 | 3 - 35 | | | | |
| 900242-05016 | 3 - 16 | | | | |
| 900242-05060 | 3 - 14 | | | | |
| 900256-04016 | 5 - 4 | | | | |
| 900502-00006 | 5 - 26 | | | | |
| 900502-00006 | 6 - 34 | | | | |
| 900560-00005 | 5 - 17 | | | | |
| 900560-00005 | 5 - 30 | | | | |
| 900600-00005 | 3 - 37 | | | | |
| 900600-00005 | 5 - 18 | | | | |
| 900600-00006 | 5 - 27 | | | | |
| 900605-00008 | 2 - 17 | | | | |
| 900701-00014 | 6 - 9 | | | | |
| 900702-00035 | 6 - 6 | | | | |
| 900810-36202 | 6 - 8 | | | | |
| 900812-06202 | 6 - 7 | | | | |
| 91113-04020 | 2 - 24 | | | | |
| 94035-36201 | 1 - 7 | | | | |



KIORITZ CORPORATION

7-2 SUEHIROCHO 1-CHOME, OHME, TOKYO 198-8711, JAPAN
PHONE: 81-428-32-6118. FAX: 81-428-32-6145.

ECHO[®]

200703 No.63-210(640137)