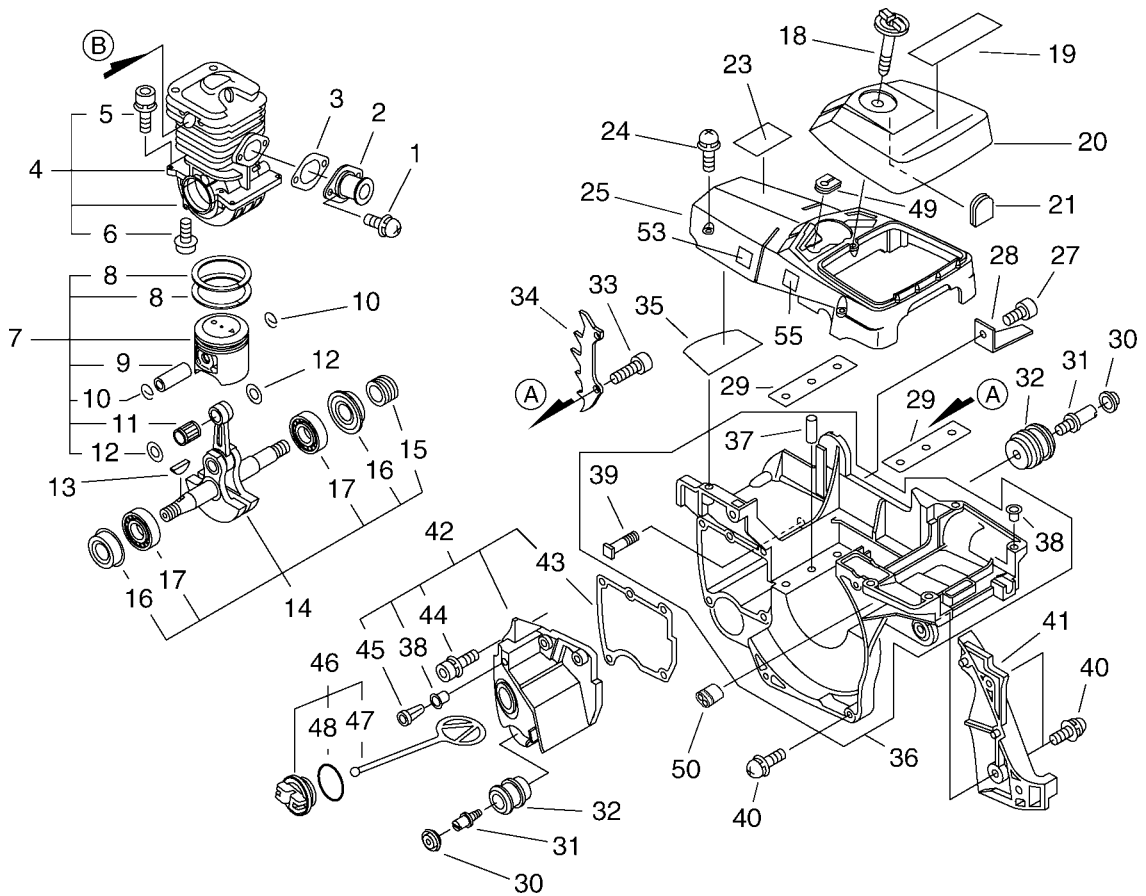




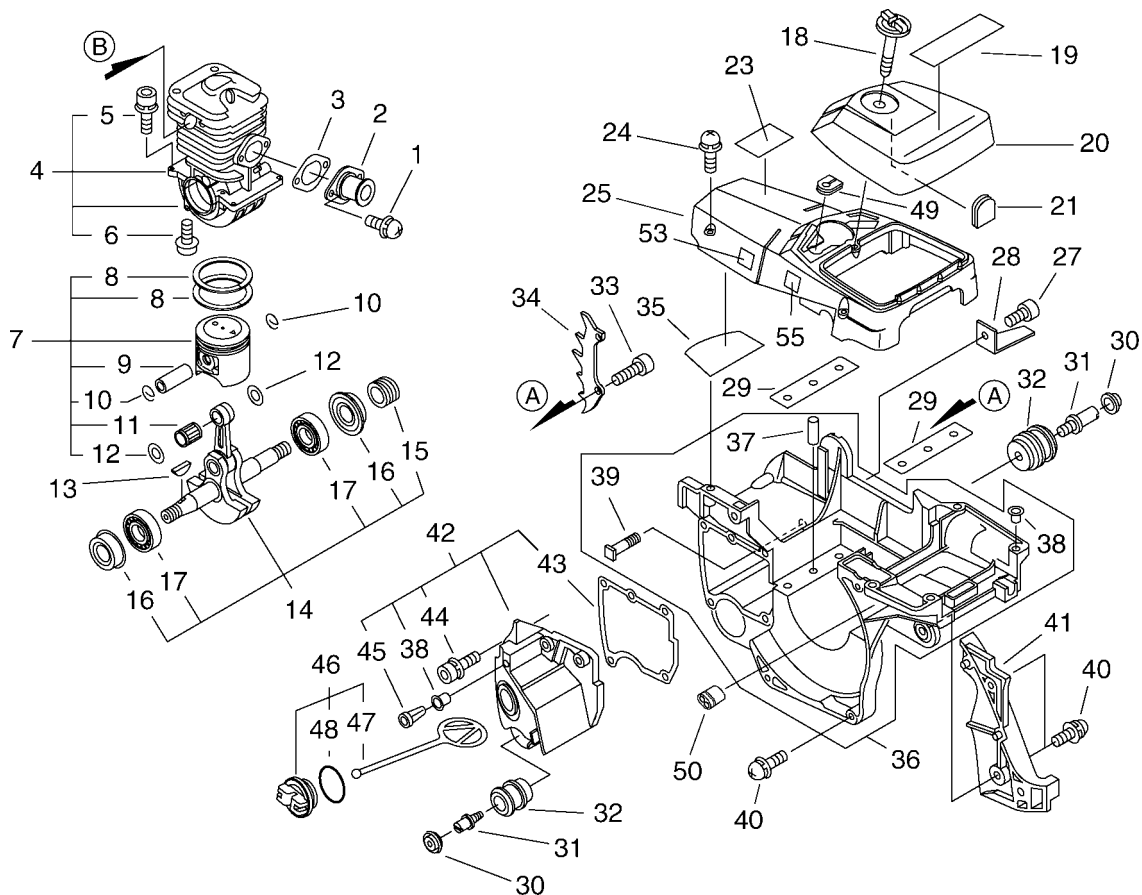
PARTS CATALOGUE

CHAIN SAW

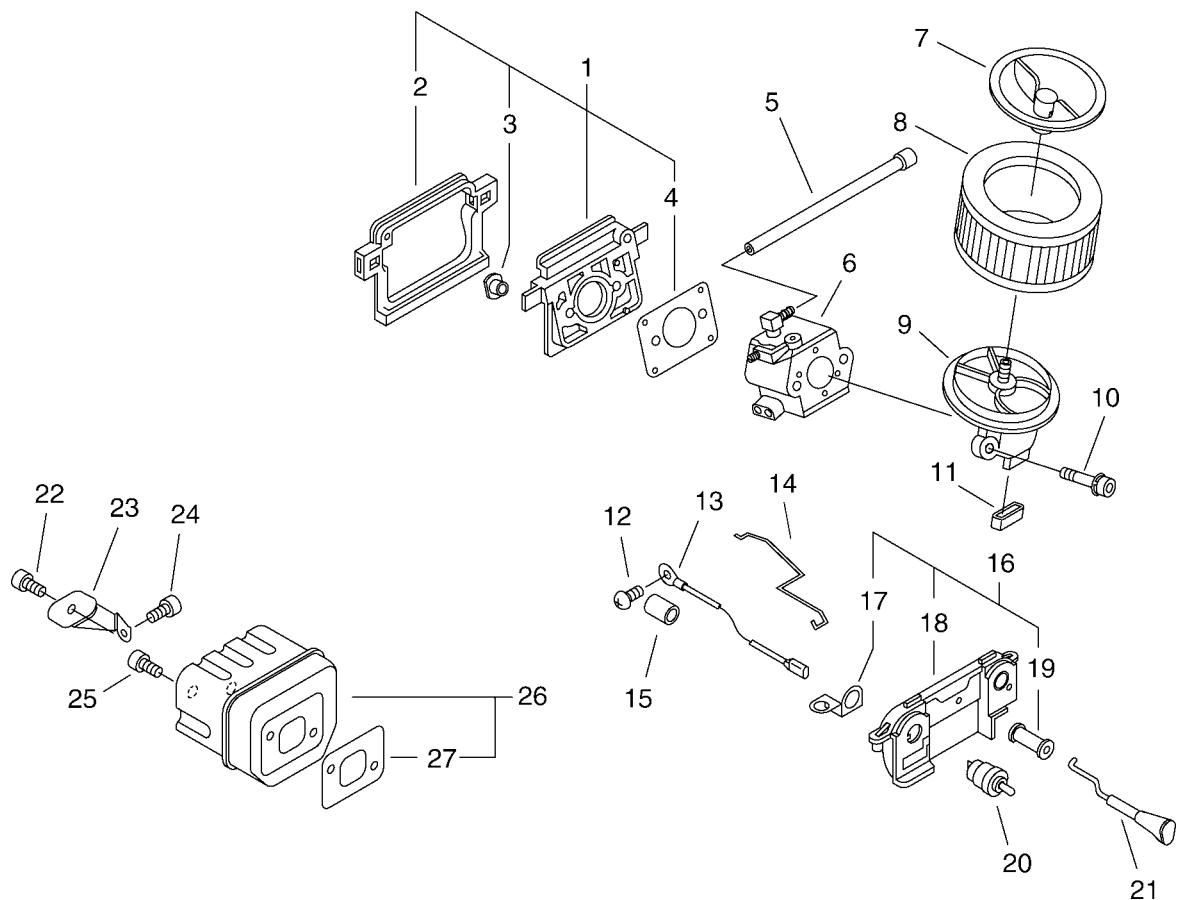
CS-510



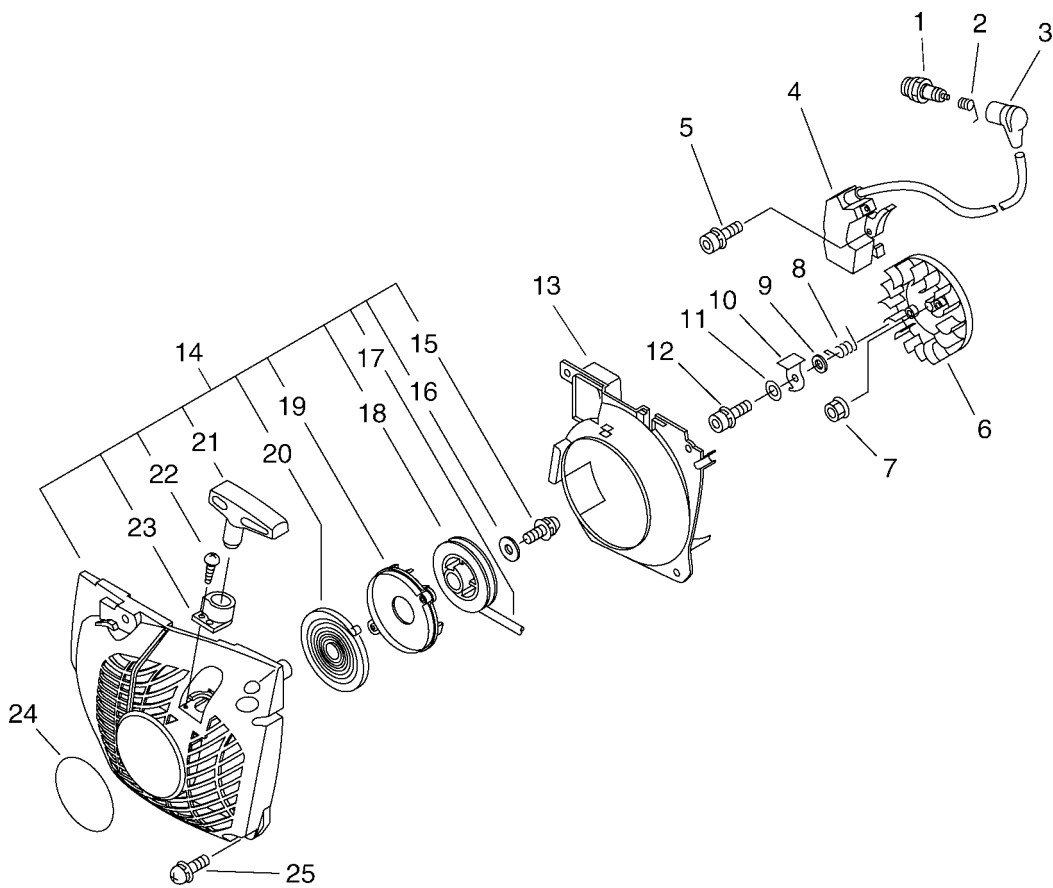
KEY	LV	PART NUMBER	Q'TY	DESCRIPTION	REMARKS
1		900238-05012	2	SCREW 5*12	
2		130510-39932	1	ADAPTER, INTAKE	
3		130016-39930	1	GASKET, INTAKE	
4		P021-004091	1	CRANKCASE SET	
5	+	900162-05022	4	BOLT, H.S. 5*22	
6	+	900106-05020	4	BOLT, H.S. 5*20	
7		P021-001063	1	PISTON KIT	
8	+	100011-39731	2	RING, PISTON	
9	+	V609-000000	1	PIN,ENG 11	
10	+	100015-32330	2	CIRCLIP, PISTON PIN	
11	+	V556-000000	1	BEARING,NEEDLE 11	
12	+	V308-000010	2	WASHER,CIRCULAR 11	
13		100142-30830	1	KEY, WOODRUFF	
14		P021-001071	1	CRANKSHAFT,ASSY	
15	+	V652-000000	1	GEAR,WORM	
16	+	V508-000000	2	SEAL,OIL 15	
17	+	900810-36202	2	BEARING, BALL 6202	
18		A235-000020	1	KNOB,CLEANER LID	
19		X503-008310	1	LABEL,MODEL	
20		A232-000023	1	LID,CLEANER	
21		130338-32430	1	PLUG, COVER	
23		890345-39230	1	LABEL,CAUTION	
24		163890-38330	3	BOLT, 5	
25		A160-000950	1	COVER,CYLINDER	



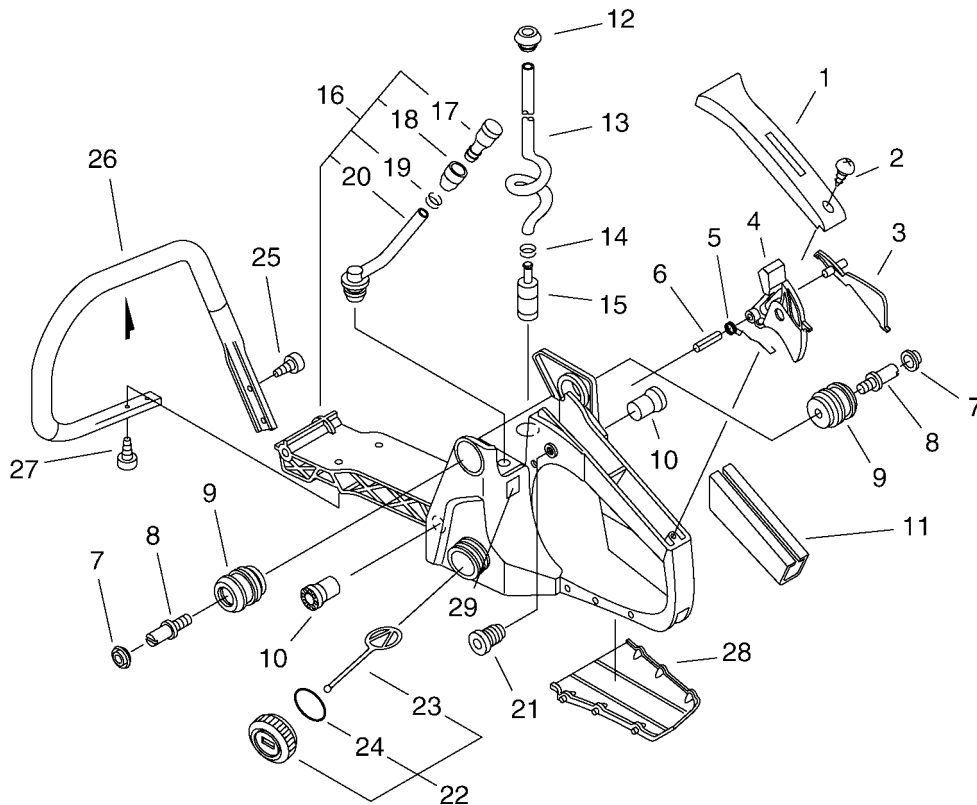
KEY	LV	PART NUMBER	Q'TY	DESCRIPTION	REMARKS
27		900162-05014	1	BOLT, H.S. 5*14	
28		C310-000000	1	CATCHER, CHAIN	
29		V150-001740	2	PLATE, EYE	
30		100918-38330	2	CAP, CUSHION	
31		100915-33930	2	SCREW	
32		100921-38330	2	CUSHION	
33		900105-05012	2	BOLT, H.S. 5*12	
34		C304-000030	1	SPIKED	
35		101520-35430	1	COVER	
36		P021-012470	1	COVER, ENGINE	
37	+	100215-03930	2	PIN, DOWEL	
38	+	436018-38330	2	PIN, DOWEL	
39	+	433011-19830	2	STUD, GUIDE BAR	
40		900238-05016	3	SCREW 5*16	
41		C300-000321	1	GUARD, SPROCKET	
42		P021-012550	1	TANK, OIL	
38	+	436018-38330	1	PIN, DOWEL	
43	+	436019-38330	1	GASKET, OIL TANK	
44	+	900162-04016	3	BOLT, H.S. 4*16	
45	+	436114-13930	1	VALVE, CHECK	
46		P021-007630	1	CAP ASY, TANK	
47	+	A365-000050	1	CONNECTOR, CAP	
48	+	900721-00025	1	O-RING 25	
49		V135-000010	1	GROMMET, HT CORD	
50		129010-33330	1	GROMMET	



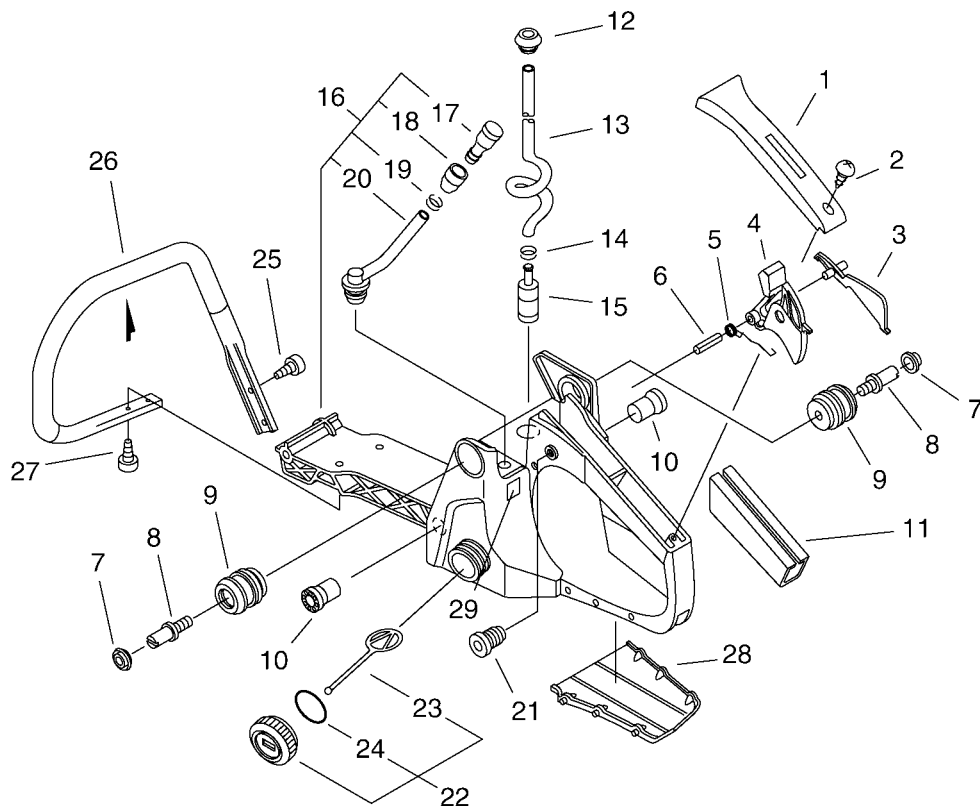
KEY	LV	PART NUMBER	Q'TY	DESCRIPTION	REMARKS
1		130000-38331	1	INSULATOR ASY,INTAKE	
2	+	V420-001130	1	CUSHION	
3	+	130020-33330	2	NUT	
4	+	130010-38330	1	GASKET, INTAKE	
5		130110-38330	1	PIPE, IMPULSE	
6		A021-000561	1	CARBURETOR,DIAPHRAGM	
7		130405-38332	1	BRACKET, AIR CLEANER	
8		130310-38331	1	FILTER, AIR	
9		A204-000004	1	ELBOW,CARBURETOR	
10		900162-05050	2	BOLT, H.S. 5*50	
11		130430-38330	1	CUSHION	
12		900220-04006	1	SCREW 4*6	
13		162010-38332	1	LEAD, GROUND	
14		C454-000150	1	ROD, THROTTLE	
15		C483-000000	1	BOOT,CONNECTOR	
16		163804-38935	1	BRACKET, SWITCH	
17	+	163413-38930	1	PLATE, SWITCH	
18	+	163810-38933	1	BRACKET, SWITCH	
19	+	178810-14534	1	GROMMET	
20		163400-38330	1	SWITCH, IGNITION	
21		A241-000100	1	KNOB, CHOKE	
22		91100-06008	1	BOLT	
23		A319-000080	1	STAY, MUFFLER	
24		900105-06014	1	BOLT, H.S. 6*14	
25		900105-05014	2	BOLT, H.S. 5*14	
26		P021-013460	1	MUFFLER ASY	
27	+	145510-35431	1	GASKET, MUFFLER	



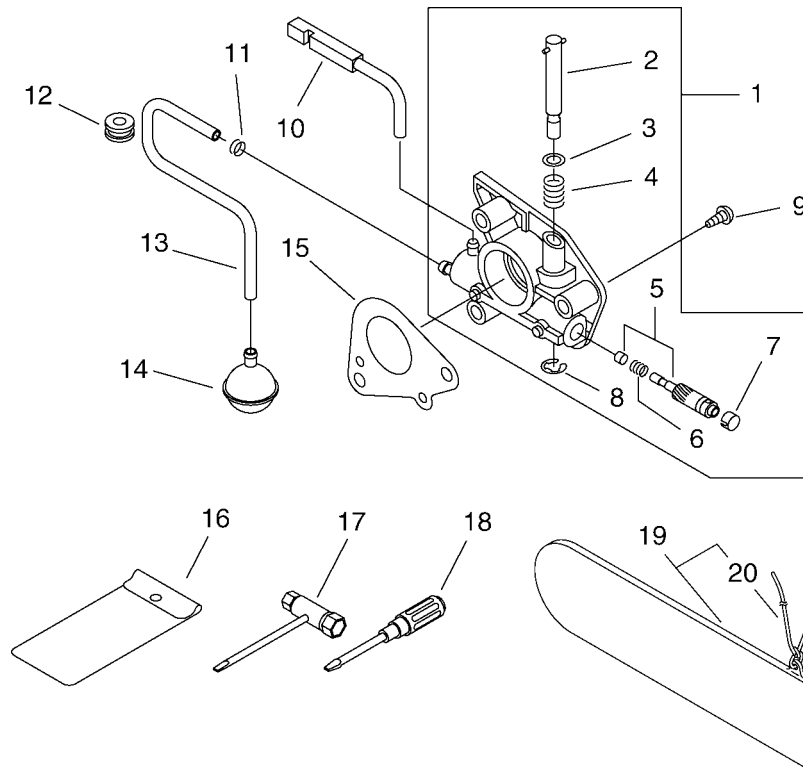
KEY	LV	PART NUMBER	Q'TY	DESCRIPTION	REMARKS
1		159010-19830	1	PLUG, SPARK (BPM-8Y)	
2		A426-000010	1	TERMINAL, SPARK PLUG	
3		A427-000013	1	CAP, SPARK PLUG	
4		A411-000031	1	COIL, IGNITION	
5		900162-04030	2	BOLT, H.S. 4*30	
6		A409-000030	1	ROTOR, MAGNETO	
7		900515-00008	1	NUT, FLANGE 8	
8		177234-35430	2	SPRING, RETURN	
9		900603-00005	2	WASHER 5	
10		177218-19830	2	PAWL, STARTER	
11		177247-04630	2	SPACER, RATCHET	
12		V203-000090	2	BOLT, 5	
13		A172-000062	1	COVER, FAN	
14		P021-013481	1	STARTER ASY	
15	+	900238-05012	1	SCREW 5*12	
16	+	177214-02830	1	WASHER	
17	+	177226-19830	1	ROPE, STARTER	
18	+	A506-000100	1	REEL, ROPE	
19	+	177221-35430	1	PLATE, STARTER	
20	+	177220-35430	1	SPRING, REWIND	
21	+	177228-35430	1	GRIP, STARTER (BL)	
22	+	900296-03014	1	SCREW 3*14	
23	+	177227-37930	1	GUIDE, ROPE	
24		X502-000410	1	LABEL, ECHO	
25		900238-05018	3	SCREW 5*18	



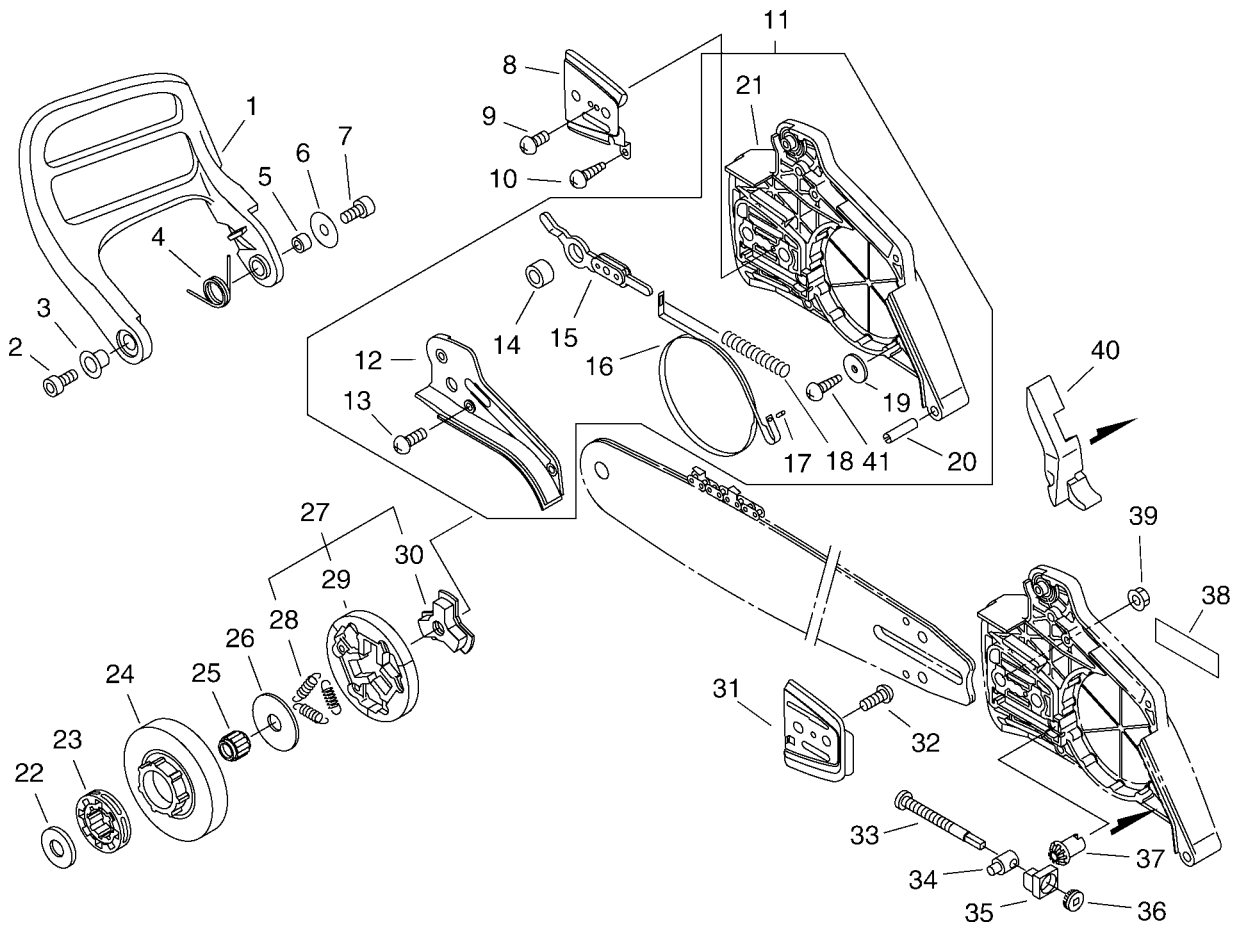
KEY	LV	PART NUMBER	Q'TY	DESCRIPTION	REMARKS
1		351155-35430	1	COVER, HANDLE (BL)	
2		900253-04014	1	SCREW 4*14	
3		C460-000072	1	LOCKOUT, THROTTLE	
4		C450-000212	1	CONTROL, THROTTLE	
5		V452-000260	1	SPRING, TORSION	
6		900345-40030	1	PIN, SPRING 4*30SUS	
7		100918-38330	2	CAP, CUSHION	
8		100915-32530	2	BOLT	
9		100921-38330	2	CUSHION	
10		100910-38330	2	CUSHION	
11		351111-19830	1	GRIP, HANDLE	
12		132115-04920	1	GROMMET	
13		132010-38331	1	PIPE	
14		132013-26630	1	CLIP	
15		131205-19830	1	STRAINER, FUEL	
16		P021-012561	1	HANDLE ASY, REAR	
17	+	131300-56430	1	VALVE, CHECK	
18	+	131328-40630	1	COVER, VENT	
19	+	132013-26630	1	CLIP	
20	+	132012-39331	1	PIPE	
21		V162-000040	1	PLUG	
22		P021-010600	1	FUEL CAP ASY	
23	+	A365-000050	1	CONNECTOR, CAP	
24	+	900720-00022	1	O-RING 22	



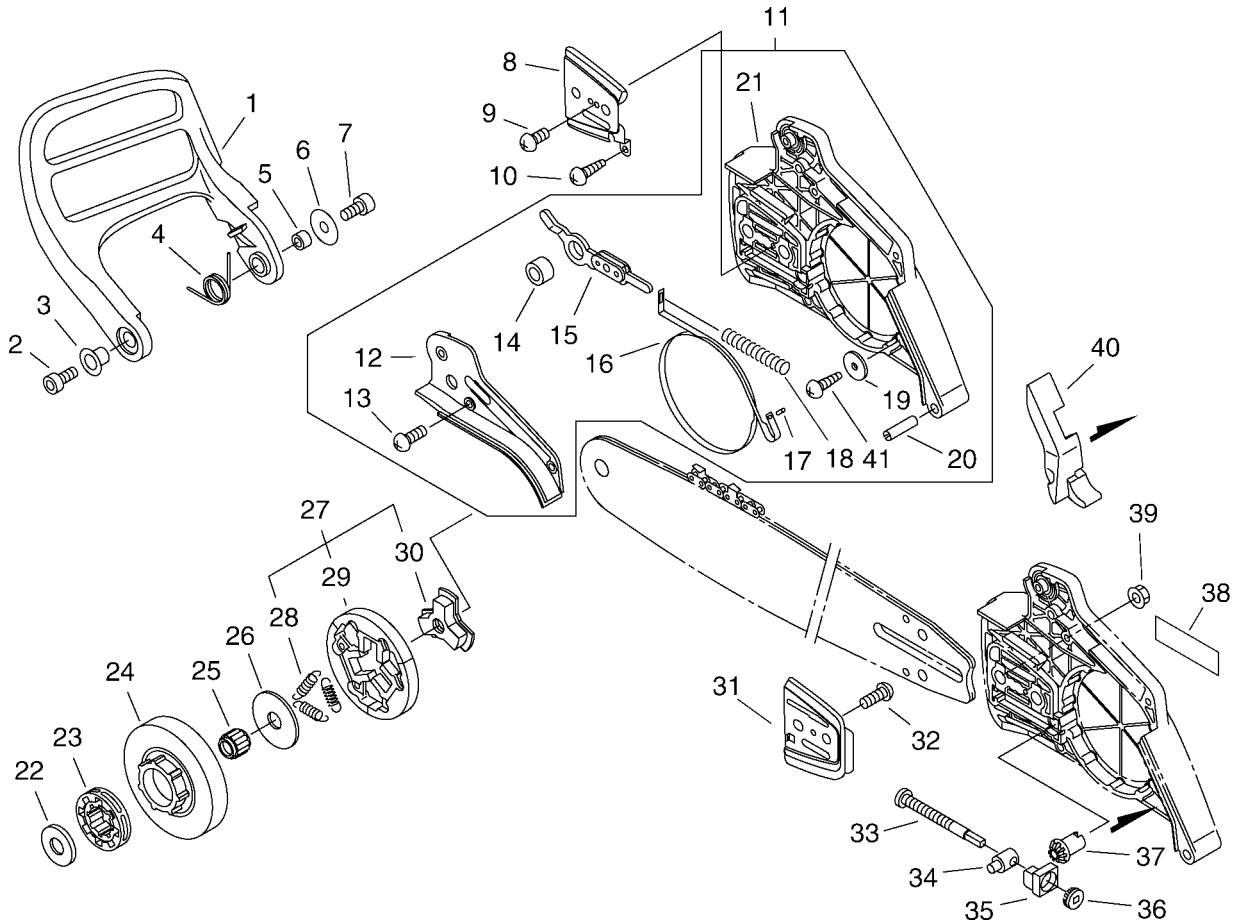
KEY	LV	PART NUMBER	Q'TY	DESCRIPTION	REMARKS
25		91145-05020	2	BOLT HS TAPPING	
26		C400-000010	1	HANDLE,FRONT	
27		91145-05016	2	BOLT HS TAPPING	
28		C418-000040	1	SHIELD,SNOW	
29		890157-39130	1	LABEL, SWITCH	



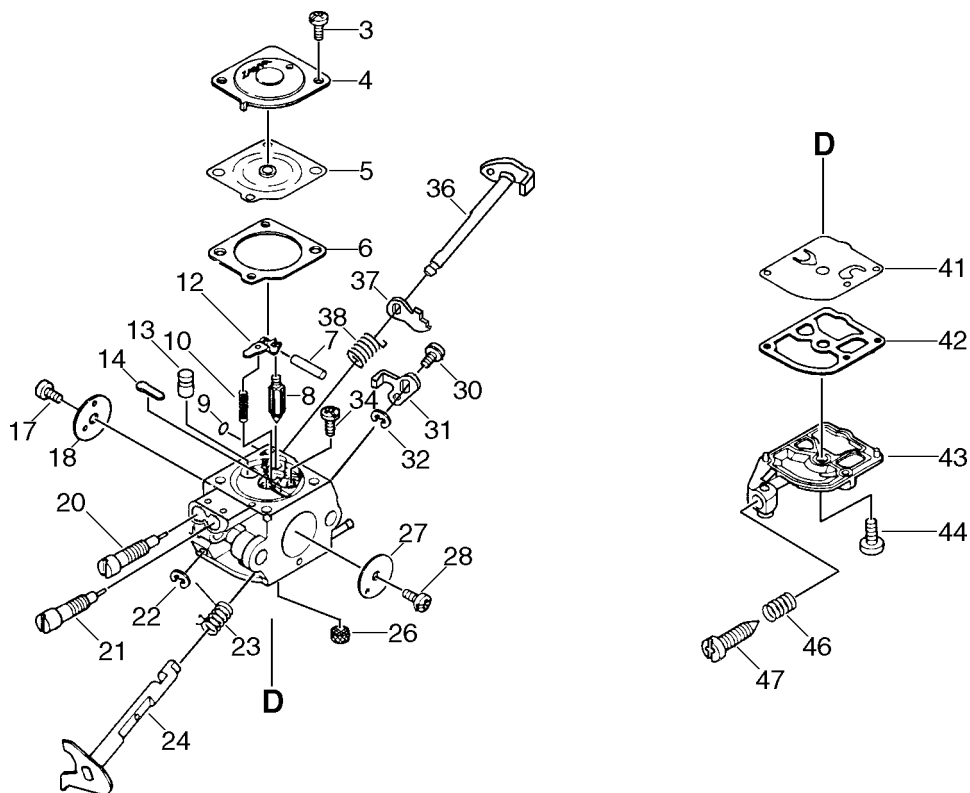
KEY	LV	PART NUMBER	Q'TY	DESCRIPTION	REMARKS
1		437002-38330	1	AUTO-OILER ASSY	
2	+	437016-38330	1	NEEDLE, ADJUST	
3	+	437029-37330	1	WASHER	
4	+	437015-37330	1	SPRING	
5	+	437024-37330	1	PLUNGER	
6	+	437019-38330	1	SPRING	
7	+	437062-38330	1	CAP, OIL PUMP	
8	+	123127-15030	1	RING	
9		900223-04016	2	SCREW	
10		437229-38331	1	PIPE	
11		132013-26630	1	CLIP	
12		132115-12330	1	GROMMET	
13		437210-38330	1	PIPE, OIL	
14		436205-14730	1	STRAINER, OIL	
15		175310-38330	1	PLATE, SEAL	
16		898510-07130	1	BAG, TOOL	
17		X602-000080	1	TOOL, WRENCH	
18		895811-00130	1	DRIVER, SCREW 125	
19		898548-14531	1	SCABBARD, CHAIN	
20	+	898568-14530	1	ROPE	



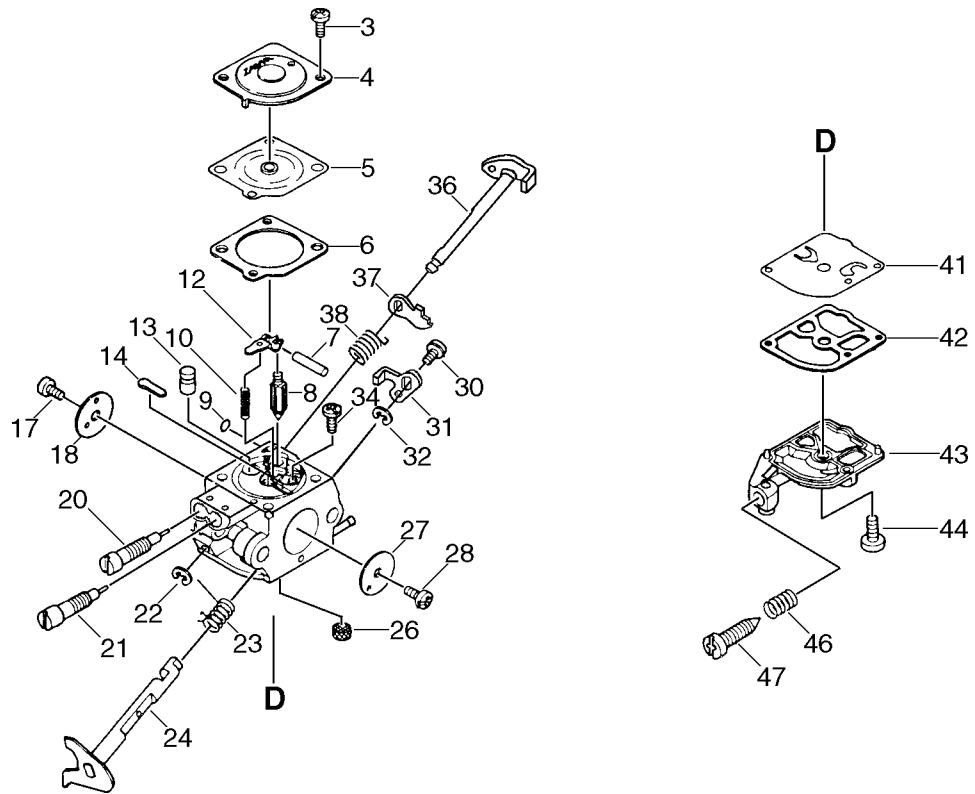
KEY	LV	PART NUMBER	Q'TY	DESCRIPTION	REMARKS
1		C320-000140	1	LEVER, BRAKE	
2		900105-05030	1	BOLT, H.S. 5*30	
3		V356-000300	1	COLLAR,10	
4		V452-000250	1	SPRING,TORSION	
5		433116-35430	1	SPACER 8	
6		177214-03930	1	WASHER	
7		V202-000120	1	BOLT,4	
8		C305-000001	1	PLATE, SPROCKET GUARD	
9		900220-03006	1	SCREW 3*6	
10		V202-000060	1	BOLT,4	
11		C032-000320	1	BRAKE ASY, CHAIN	
12	+	C345-000240	1	COVER, BRAKE	
13	+	V202-000060	3	BOLT,4	
14	+	433116-35430	1	SPACER 8	
15	+	C334-000090	1	CONNECTOR, BRAKE	
16	+	C328-000110	1	BAND, BRAKE	
17	+	900330-30120	1	PIN	
18	+	V450-000070	1	SPRING, COMPRESSION	
19	+	351249-06960	1	WASHER	
20	+	900342-60025	1	PIN, SPRING	
21	+	C300-000350	1	GUARD, SPROCKET	
41	+	900253-04016	1	SCREW 4*16	
22		A551-000000	1	PLATE, CLUTCH	
23		175114-12530	1	SPROCKET, RIM .325	



KEY	LV	PART NUMBER	Q'TY	DESCRIPTION	REMARKS
24		A556-000021	1	DRUM,CLUTCH	
25		V557-000010	1	BEARING,NEEDLE 12	
26		A551-000060	1	PLATE,CLUTCH	
27		A056-000111	1	CLUTCH	
28	+	V451-000500	3	SPRING,TENSION	
29	+	P021-007050	1	CLUTCH SHOE SET	
30	+	A552-000090	1	HUB,CLUTCH	
31		433013-35432	1	PLATE, GUIDE (INNER)	
32		900220-04006	1	SCREW 4*6	
33		V203-000110	1	BOLT,5	
34		C309-000030	1	TENSIONER,CHAIN	
35		V355-000270	1	COLLAR,8	
36		V651-000011	1	GEAR,BEVEL	
37		V651-000001	1	GEAR,BEVEL	
38		X502-000340	1	LABEL,ECHO	
39		433019-12330	2	NUT, FLANGE 8	
40		C302-000000	1	PAD, GUARD	



KEY	LV	PART NUMBER	Q'TY	DESCRIPTION	REMARKS
		A021-000561	1	CARBURETOR,DIAPHRAGM	
3	+	125344-52130	2	SCREW	
4	+	125342-13210	1	COVER, DIAPHRAGM	
5	+	125341-49030	1	DIAPHRAGM	
6	+	125340-42030	1	GASKET, DIAPHRAGM	
7	+	125338-13930	1	PIN, METERING ARM	
8	+	125337-08260	1	VALVE, INLET NEEDLE	
9	+	125345-13310	1	PLUG, WELCH	
10	+	125322-13930	1	SPRING, COIL	
12	+	125323-08260	1	ARM, VALVE	
13	+	P005-000770	1	NOZZLE CHECK VALVE	
14	+	125345-51030	1	PLUG, WELCH	
17	+	125314-51230	1	SCREW	
18	+	P005-000900	1	VALVE, CHOKE	
20	+	P005-000850	1	NEEDLE, HIGH SPEED	
21	+	P005-000840	1	NEEDLE, IDLE	
22	+	125327-15130	1	CLIP	
23	+	P005-000790	1	SPRING, THRT.RETURN	
24	+	P005-000780	1	SHAFT ASY, THROTTLE	
26	+	P005-000860	1	SCREEN, FUEL INLET	
27	+	P005-000810	1	VALVE, THROTTLE	
28	+	125314-13930	1	SCREW	
30	+	125348-13930	1	SCREW	
31	+	P005-000800	1	LEVER, THROTTLE	



KEY	LV	PART NUMBER	Q'TY	DESCRIPTION	REMARKS
32	+	125327-13930	1	CLIP	
34	+	125339-13930	1	SCREW	
36	+	P005-001310	1	SHAFT, CHOKE	
37	+	P005-001300	1	LEVER, CHOKE	
38	+	P005-000880	1	SPRING, CHOKE RETURN	
41	+	P005-000820	1	DIAPHRAGM, PUMP	
42	+	125325-08360	1	GASKET, PUMP	
43	+	P005-000830	1	COVER, PUMP	
44	+	125310-13930	1	SCREW	
46	+	125333-06960	1	SPRING, IDLE ADJUSTER	
47	+	125344-08560	1	SCREW	

KEY	LV	PART NUMBER	Q'TY	DESCRIPTION	REMARKS
		P005-000910	1	DIAPHRAGM/GASKET KIT	
741	+	P005-000820	1	DIAPHRAGM, PUMP	
742	+	125325-08360	1	GASKET, PUMP	
705	+	125341-49030	1	DIAPHRAGM	
706	+	125340-42030	1	GASKET, DIAPHRAGM	
		P005-000920	1	REBUILD KIT	
741	+	P005-000820	1	DIAPHRAGM, PUMP	
742	+	125325-08360	1	GASKET, PUMP	
708	+	125337-08260	1	VALVE, INLET NEEDLE	
712	+	125323-08260	1	ARM, VALVE	
710	+	125322-13930	1	SPRING, COIL	
707	+	125338-13930	1	PIN, METERING ARM	
705	+	125341-49030	1	DIAPHRAGM	
706	+	125340-42030	1	GASKET, DIAPHRAGM	
714	+	125345-51030	1	PLUG, WELCH	
726	+	P005-000860	1	SCREEN, FUEL INLET	

Index

Parts Number	Key No.	Parts Number	Key No.	Parts Number	Key No.
A021-000561	2 - 6	P005-000850	7 - 20	100142-30830	1 - 13
A021-000561	7 -	P005-000860	7 - 26	100215-03930	1 - 37
A056-000111	6 - 27	P005-000860	9 - 726	100910-38330	4 - 10
A160-000950	1 - 25	P005-000880	7 - 38	100915-32530	4 - 8
A172-000062	3 - 13	P005-000900	7 - 18	100915-33930	1 - 31
A204-000004	2 - 9	P005-000910	8 -	100918-38330	1 - 30
A232-000023	1 - 20	P005-000920	9 -	100918-38330	4 - 7
A235-000020	1 - 18	P005-001300	7 - 37	100921-38330	1 - 32
A241-000100	2 - 21	P005-001310	7 - 36	100921-38330	4 - 9
A319-000080	2 - 23	P021-001063	1 - 7	101520-35430	1 - 35
A365-000050	1 - 47	P021-001071	1 - 14	123127-15030	5 - 8
A365-000050	4 - 23	P021-004091	1 - 4	125310-13930	7 - 44
A409-000030	3 - 6	P021-007050	6 - 29	125314-13930	7 - 28
A411-000031	3 - 4	P021-007630	1 - 46	125314-51230	7 - 17
A426-000010	3 - 2	P021-010600	4 - 22	125322-13930	7 - 10
A427-000013	3 - 3	P021-012470	1 - 36	125322-13930	9 - 710
A506-000100	3 - 18	P021-012550	1 - 42	125323-08260	7 - 12
A551-000000	6 - 22	P021-012561	4 - 16	125323-08260	9 - 712
A551-000060	6 - 26	P021-013460	2 - 26	125325-08360	7 - 42
A552-000090	6 - 30	P021-013481	3 - 14	125325-08360	8 - 742
A556-000021	6 - 24	V135-000010	1 - 49	125325-08360	9 - 742
C032-000320	6 - 11	V150-001740	1 - 29	125327-13930	7 - 32
C300-000321	1 - 41	V162-000040	4 - 21	125327-15130	7 - 22
C300-000350	6 - 21	V202-000060	6 - 10	125333-06960	7 - 46
C302-000000	6 - 40	V202-000060	6 - 13	125337-08260	7 - 8
C304-000030	1 - 34	V202-000120	6 - 7	125337-08260	9 - 708
C305-000001	6 - 8	V203-000090	3 - 12	125338-13930	7 - 7
C309-000030	6 - 34	V203-000110	6 - 33	125338-13930	9 - 707
C310-000000	1 - 28	V308-000010	1 - 12	125339-13930	7 - 34
C320-000140	6 - 1	V355-000270	6 - 35	125340-42030	7 - 6
C328-000110	6 - 16	V356-000300	6 - 3	125340-42030	9 - 706
C334-000090	6 - 15	V420-001130	2 - 2	125341-49030	7 - 5
C345-000240	6 - 12	V450-000070	6 - 18	125341-49030	8 - 705
C400-000010	4 - 26	V451-000500	6 - 28	125341-49030	9 - 705
C418-000040	4 - 28	V452-000250	6 - 4	125342-13210	7 - 4
C450-000212	4 - 4	V452-000260	4 - 5	125344-08560	7 - 47
C454-000150	2 - 14	V508-000000	1 - 16	125344-52130	7 - 3
C460-000072	4 - 3	V556-000000	1 - 11	125345-13310	7 - 9
C483-000000	2 - 15	V557-000010	6 - 25	125345-51030	7 - 14
P005-000770	7 - 13	V609-000000	1 - 9	125345-51030	9 - 714
P005-000780	7 - 24	V651-000001	6 - 37	125348-13930	7 - 30
P005-000790	7 - 23	V651-000011	6 - 36	129010-33330	1 - 50
P005-000800	7 - 31	V652-000000	1 - 15	130000-38331	2 - 1
P005-000810	7 - 27	X502-000340	6 - 38	130010-38330	2 - 4
P005-000820	7 - 41	X502-000410	3 - 24	130016-39930	1 - 3
P005-000820	8 - 741	X503-008310	1 - 19	130020-33330	2 - 3
P005-000820	9 - 741	X602-000080	5 - 17	130110-38330	2 - 5
P005-000830	7 - 43	100011-39731	1 - 8	130310-38331	2 - 8
P005-000840	7 - 21	100015-32330	1 - 10	130338-32430	1 - 21

Index

Parts Number	Key No.	Parts Number	Key No.	Parts Number	Key No.
130405-38332	2 - 7	437019-38330	5 - 6		
130430-38330	2 - 11	437024-37330	5 - 5		
130510-39932	1 - 2	437029-37330	5 - 3		
131205-19830	4 - 15	437062-38330	5 - 7		
131300-56430	4 - 17	437210-38330	5 - 13		
131328-40630	4 - 18	437229-38331	5 - 10		
132010-38331	4 - 13	890157-39130	4 - 29		
132012-39331	4 - 20	890345-39230	1 - 23		
132013-26630	4 - 14	895811-00130	5 - 18		
132013-26630	4 - 19	898510-07130	5 - 16		
132013-26630	5 - 11	898548-14531	5 - 19		
132115-04920	4 - 12	898568-14530	5 - 20		
132115-12330	5 - 12	900105-05012	1 - 33		
145510-35431	2 - 27	900105-05014	2 - 25		
159010-19830	3 - 1	900105-05030	6 - 2		
162010-38332	2 - 13	900105-06014	2 - 24		
163400-38330	2 - 20	900106-05020	1 - 6		
163413-38930	2 - 17	900162-04016	1 - 44		
163804-38935	2 - 16	900162-04030	3 - 5		
163810-38933	2 - 18	900162-05014	1 - 27		
163890-38330	1 - 24	900162-05022	1 - 5		
175114-12530	6 - 23	900162-05050	2 - 10		
175310-38330	5 - 15	900220-03006	6 - 9		
177214-02830	3 - 16	900220-04006	2 - 12		
177214-03930	6 - 6	900220-04006	6 - 32		
177218-19830	3 - 10	900223-04016	5 - 9		
177220-35430	3 - 20	900238-05012	1 - 1		
177221-35430	3 - 19	900238-05012	3 - 15		
177226-19830	3 - 17	900238-05016	1 - 40		
177227-37930	3 - 23	900238-05018	3 - 25		
177228-35430	3 - 21	900253-04014	4 - 2		
177234-35430	3 - 8	900253-04016	6 - 41		
177247-04630	3 - 11	900296-03014	3 - 22		
178810-14534	2 - 19	900330-30120	6 - 17		
351111-19830	4 - 11	900342-60025	6 - 20		
351155-35430	4 - 1	900345-40030	4 - 6		
351249-06960	6 - 19	900515-00008	3 - 7		
433011-19830	1 - 39	900603-00005	3 - 9		
433013-35432	6 - 31	900720-00022	4 - 24		
433019-12330	6 - 39	900721-00025	1 - 48		
433116-35430	6 - 5	900810-36202	1 - 17		
433116-35430	6 - 14	91100-06008	2 - 22		
436018-38330	1 - 38	91145-05016	4 - 27		
436019-38330	1 - 43	91145-05020	4 - 25		
436114-13930	1 - 45				
436205-14730	5 - 14				
437002-38330	5 - 1				
437015-37330	5 - 4				
437016-38330	5 - 2				



KIORITZ CORPORATION

7-2 SUEHIROCHO 1-CHOME, OHME, TOKYO 198-8711, JAPAN
PHONE: 81-428-32-6118. FAX: 81-428-32-6145.

ECHO[®]

200708 No.64-242(650072)