

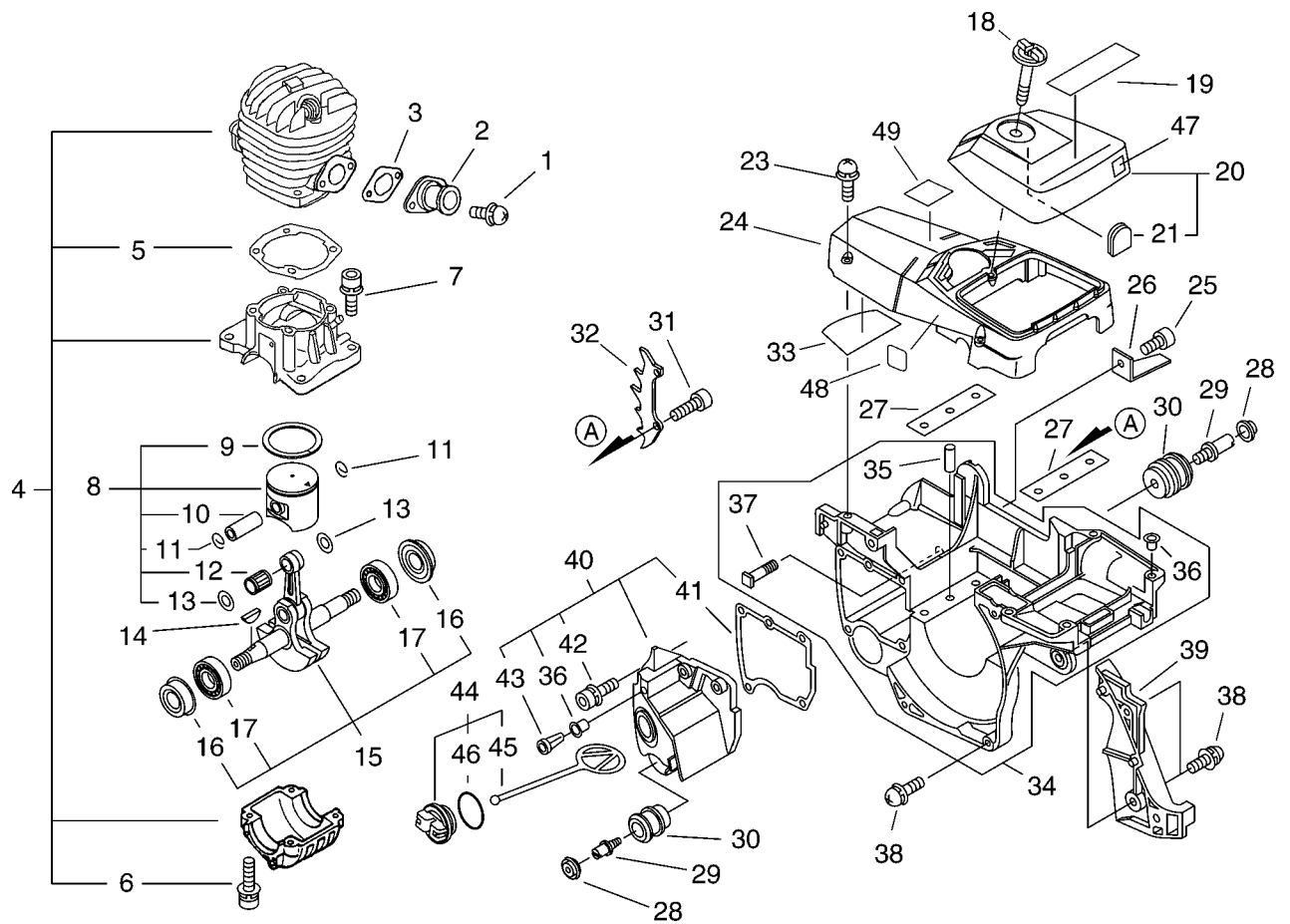


# **PARTS CATALOGUE**

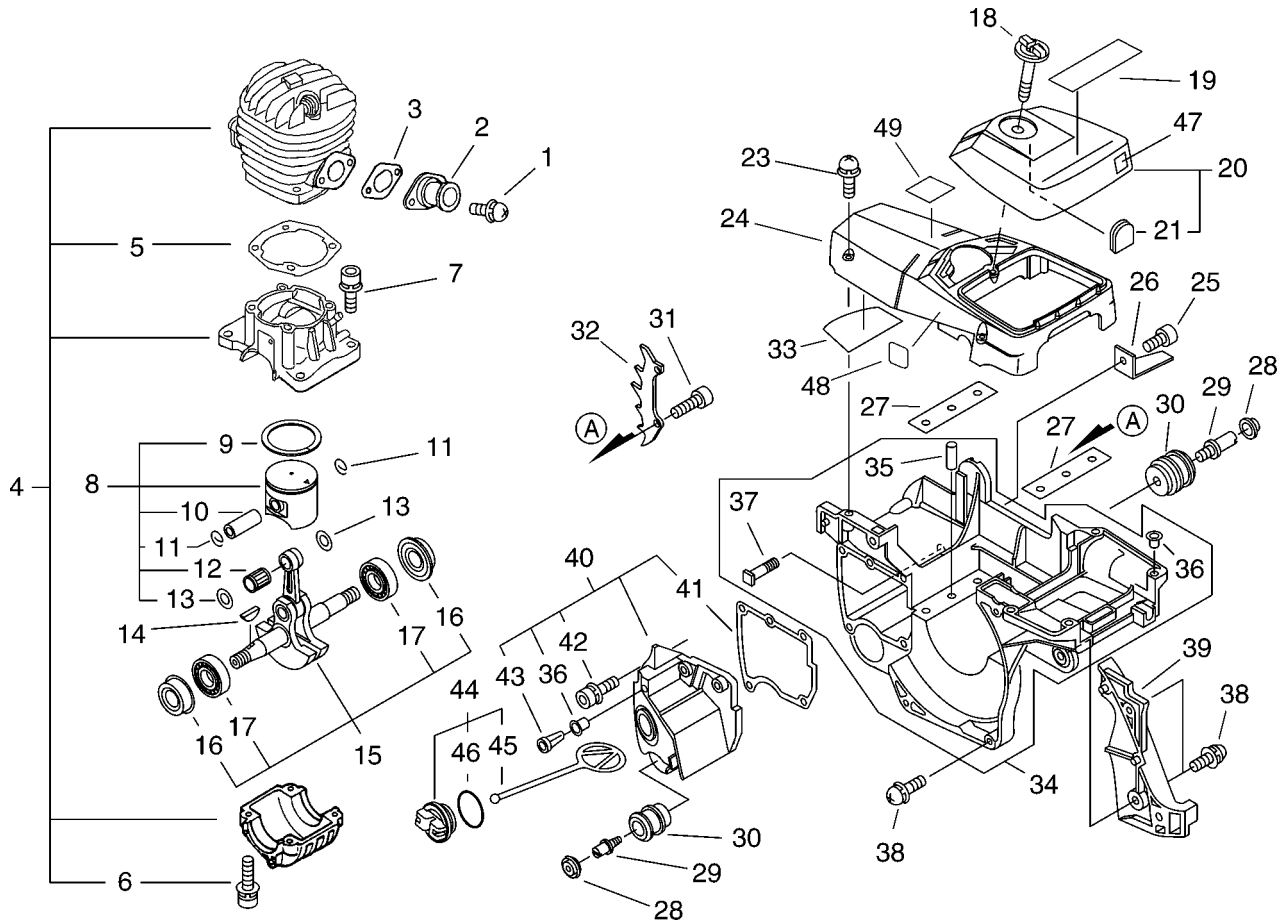
**CHAIN SAW**

**CS-450**

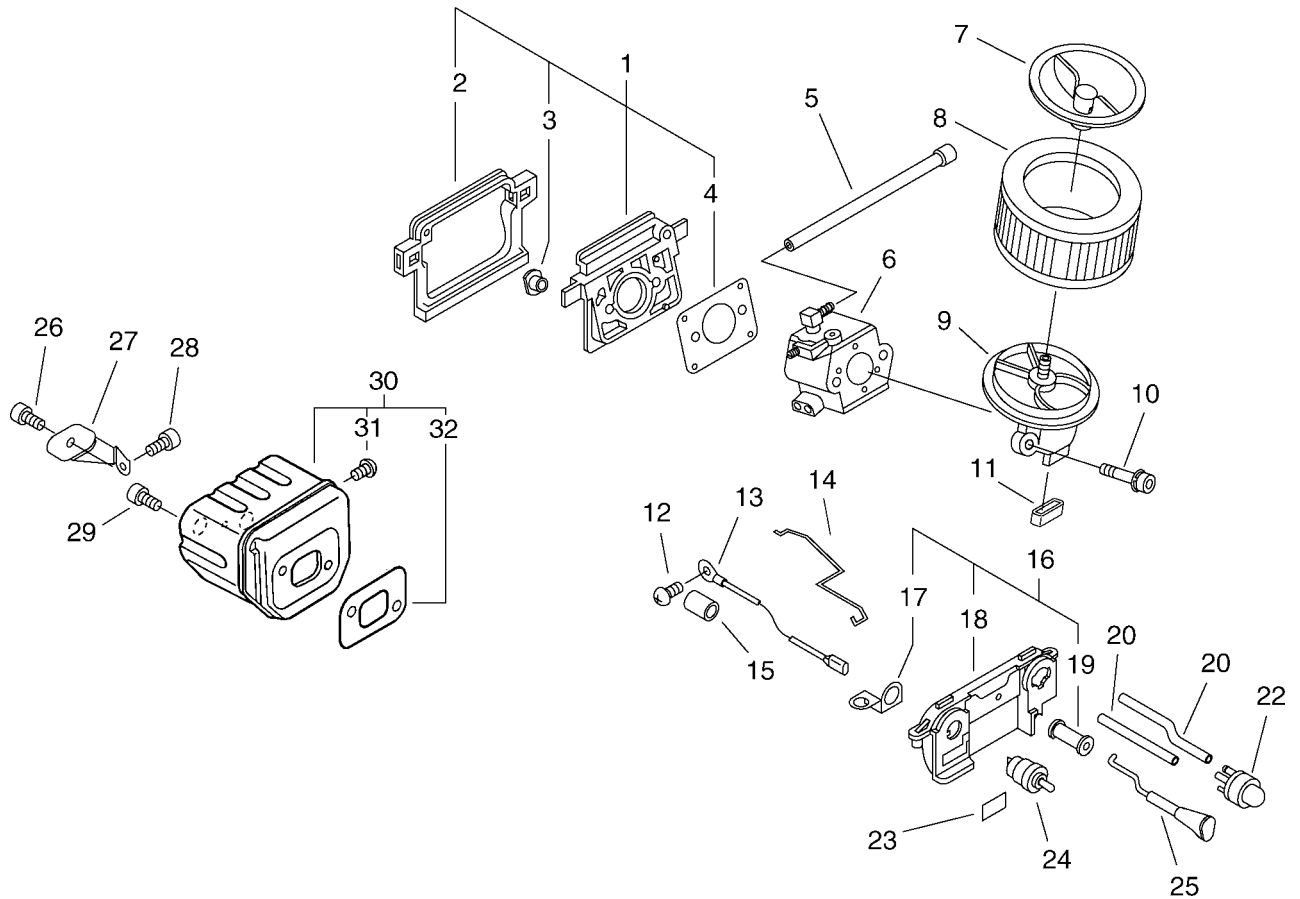
**CE**



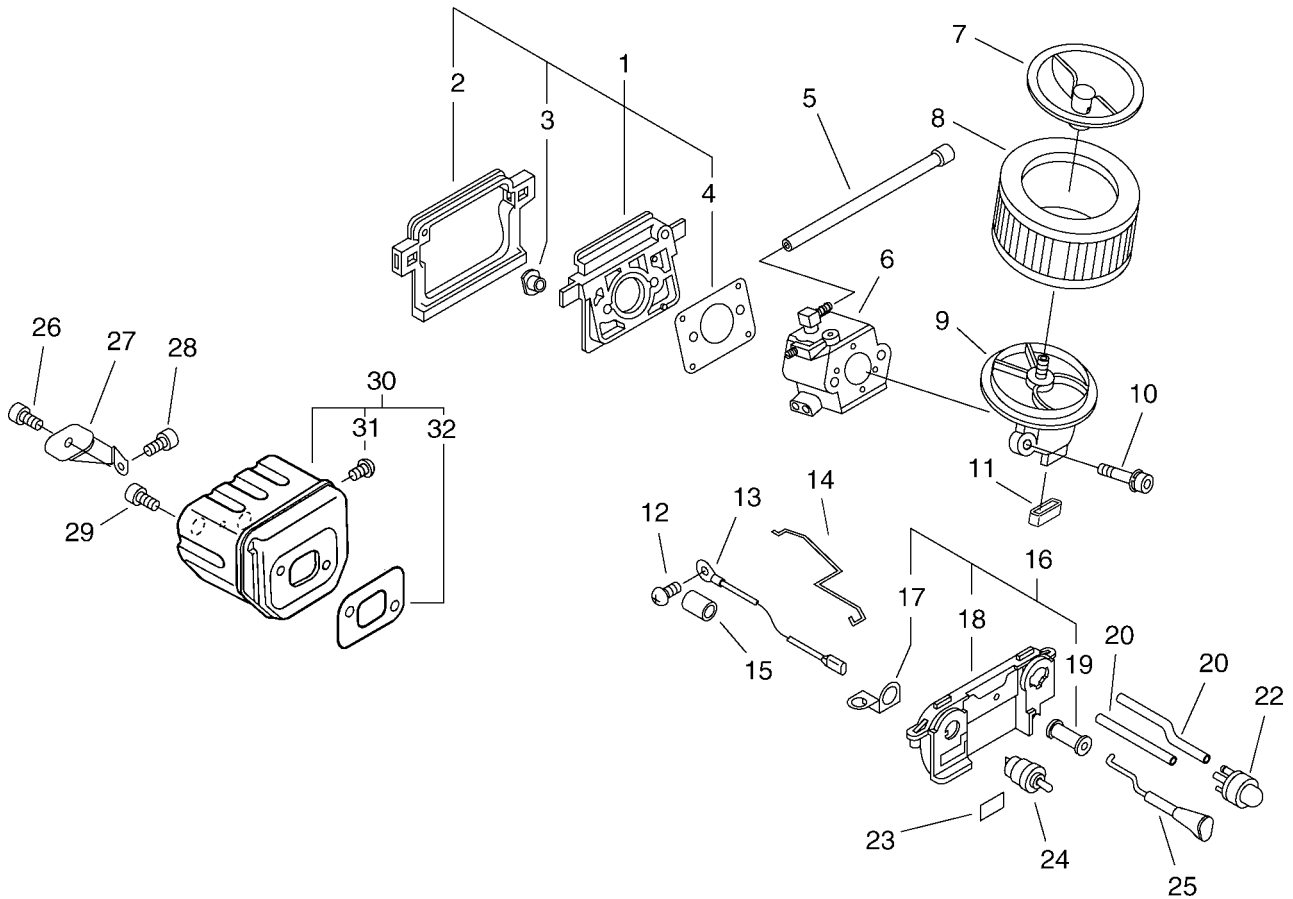
KEY	LV	PART NUMBER	Q'TY	DESCRIPTION	REMARKS
1		900238-05012	2	SCREW 5*12	
2		130510-39932	1	ADAPTER, INTAKE	
3		130016-39930	1	GASKET, INTAKE	
4		P021-012420	1	CRANKCASE SET	
5	+	V100-000131	1	GASKET,CYL	
6	+	900162-05055	4	BOLT, H.S. 5*55	
7		900162-05022	4	BOLT, H.S. 5*22	
8		P021-012430	1	PISTON KIT	
9	+	100011-38930	1	RING, PISTON	
10	+	100013-35430	1	PIN, PISTON	
11	+	100015-03931	2	CIRCLIP, PISTON PIN	
12	+	100012-35430	1	BEARING, NEEDLE	
13	+	100014-19730	2	SPACER, PISTON PIN	
14		100142-39130	1	KEY, WOODRUFF	
15		P021-012440	1	CRANKSHAFT ASY	
16	+	V505-000010	2	SEAL,OIL 12	
17	+	900888-36201	2	BEARING, BALL 6201	
18		A235-000020	1	KNOB,CLEANER LID	
19		X503-008960	1	LABEL,MODEL	
20		P021-014270	1	LID,CLEANER	
21	+	130338-32430	1	PLUG, COVER	
23		900238-05025	3	SCREW 5*25	
24		A160-000940	1	COVER,CYLINDER	
25		900162-05014	1	BOLT, H.S. 5*14	



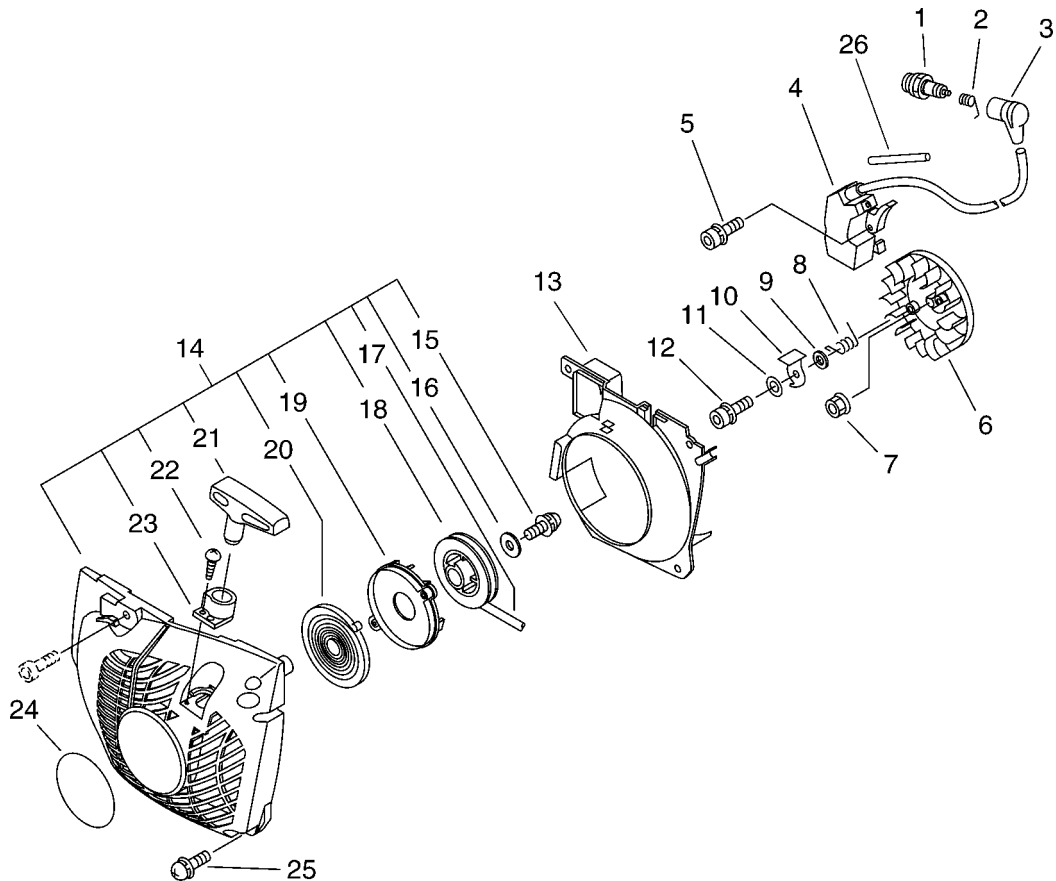
KEY	LV	PART NUMBER	Q'TY	DESCRIPTION	REMARKS
26		C310-000000	1	CATCHER, CHAIN	
27		V150-001740	2	PLATE, EYE	
28		100918-38330	2	CAP, CUSHION	
29		100915-33930	2	SCREW	
30		100921-38330	2	CUSHION	
31		900105-05012	2	BOLT, H.S. 5*12	
32		C304-000030	1	SPIKED	
33		V341-000080	1	WASHER, SQUARE	
34		P021-012470	1	COVER, ENGINE	
35	+	100215-03930	2	PIN, DOWEL	
36	+	436018-38330	2	PIN, DOWEL	
37	+	433011-19830	2	STUD, GUIDE BAR	
38		900238-05016	3	SCREW 5*16	
39		C300-000321	1	GUARD, SPROCKET	
40		P021-012480	1	TANK, OIL	
36	+	436018-38330	1	PIN, DOWEL	
41	+	436019-38330	1	GASKET, OIL TANK	
42	+	900162-04016	3	BOLT, H.S. 4*16	
43	+	436114-13930	1	VALVE, CHECK	
44		P021-007630	1	CAP ASY, TANK	
45	+	A365-000050	1	CONNECTOR, CAP	
46	+	900721-00025	1	O-RING 25	
47		X524-001900	1	LABEL	
48		X505-000180	1	LABEL, CAUTION	
49		890345-39230	1	LABEL, CAUTION	



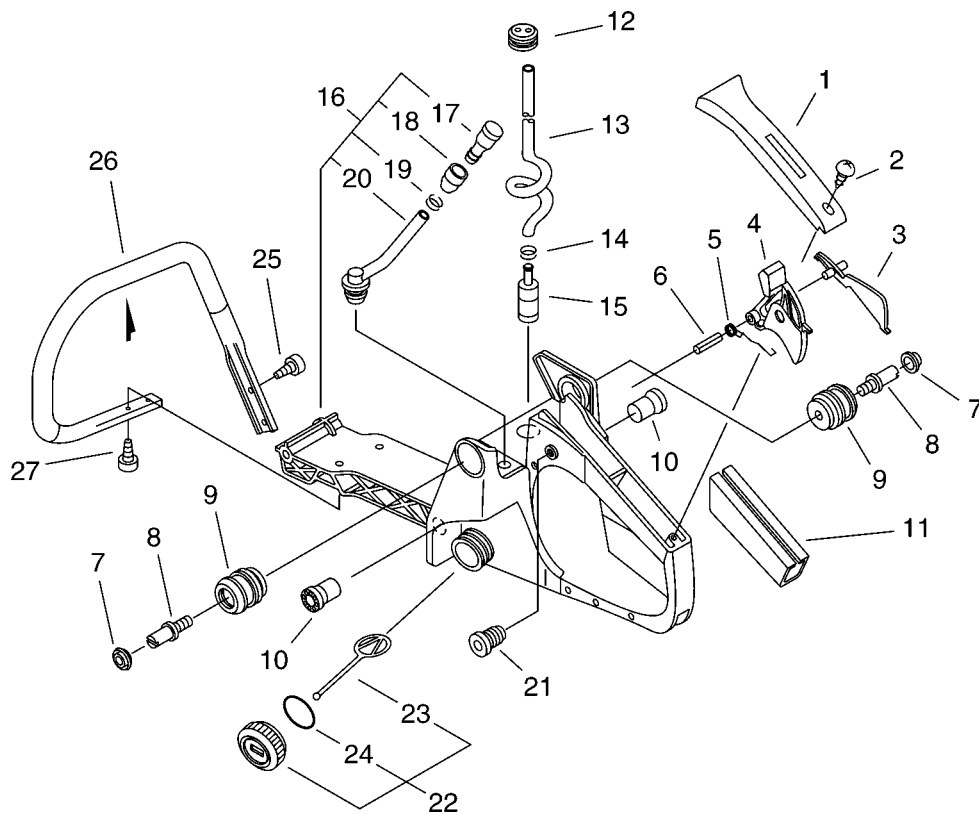
KEY	LV	PART NUMBER	Q'TY	DESCRIPTION	REMARKS
1		130000-38331	1	INSULATOR ASY,INTAKE	
2	+	V420-001130	1	CUSHION	
3	+	130020-33330	2	NUT	
4	+	130010-38330	1	GASKET, INTAKE	
5		130110-38330	1	PIPE, IMPULSE	
6		A021-001470	1	CARBURETOR,DIAPHRAGM	
7		130405-38333	1	BRACKET, AIR CLEANER	
8		130310-38331	1	FILTER, AIR	
9		A204-000004	1	ELBOW,CARBURETOR	
10		900162-05050	2	BOLT, H.S. 5*50	
11		130430-38330	1	CUSHION	
12		900220-04006	1	SCREW 4*6	
13		162010-38332	1	LEAD, GROUND	
14		C454-000150	1	ROD, THROTTLE	
15		C483-000000	1	BOOT,CONNECTOR	
16		P021-012490	1	BRACKET, SWITCH KIT	
17	+	163413-38930	1	PLATE, SWITCH	
18	+	A439-000310	1	BRACKET,SWITCH	
19	+	178810-14534	1	GROMMET	
20		V471-001240	2	PIPE	
22		123181-39130	1	PUMP, PRIMER	
23		890157-39130	1	LABEL, SWITCH	
24		163400-38330	1	SWITCH, IGNITION	
25		A241-000100	1	KNOB, CHOKE	



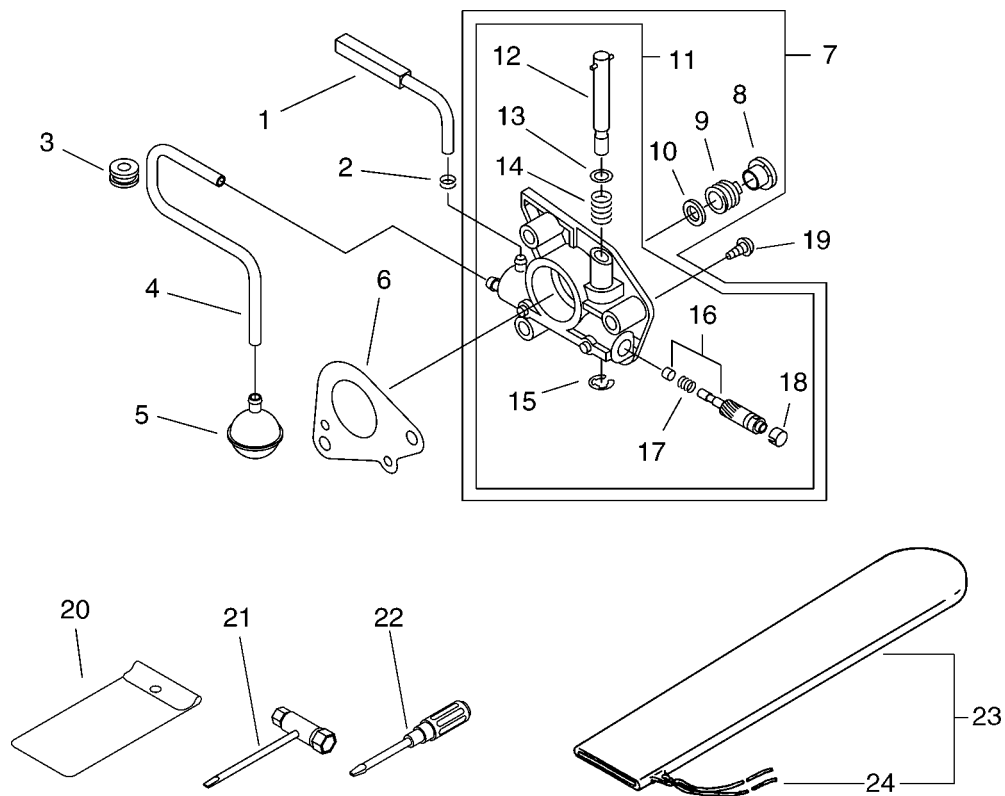
KEY	LV	PART NUMBER	Q'TY	DESCRIPTION	REMARKS
26		91100-06008	1	BOLT	
27		A319-000080	1	STAY, MUFFLER	
28		900105-06014	1	BOLT, H.S. 6*14	
29		900105-05016	2	BOLT, H.S. 5*16	
30		P021-014280	1	MUFFLER ASY	
31	+	91367-04010	1	SCREW	
32	+	145510-35431	1	GASKET, MUFFLER	



KEY	LV	PART NUMBER	Q'TY	DESCRIPTION	REMARKS
1		A425-000000	1	SPARKPLUG	
2		A426-000010	1	TERMINAL, SPARKPLUG	
3		A427-000013	1	CAP, SPARK PLUG	
4		A411-000181	1	COIL, IGNITION	
5		900162-04030	2	BOLT, H.S. 4*30	
6		A409-000080	1	ROTOR, MAGNETO	
7		900515-00008	1	NUT, FLANGE 8	
8		177234-35430	2	SPRING, RETURN	
9		900603-00005	2	WASHER 5	
10		177218-19830	2	PAWL, STARTER	
11		177247-04630	2	SPACER, RATCHET	
12		V203-000090	2	BOLT, 5	
13		A172-000062	1	COVER, FAN	
14		P021-013481	1	STARTER ASY	
15	+	900238-05012	1	SCREW 5*12	
16	+	177214-02830	1	WASHER	
17	+	177226-19830	1	ROPE, STARTER	
18	+	A506-000100	1	REEL, ROPE	
19	+	177221-35430	1	PLATE, STARTER	
20	+	177220-35430	1	SPRING, REWIND	
21	+	177228-35430	1	GRIP, STARTER (BL)	
22	+	900296-03014	1	SCREW 3*14	
23	+	177227-37930	1	GUIDE, ROPE	
24		X502-000410	1	LABEL, ECHO	
25		900238-05018	3	SCREW 5*18	
26		V475-002390	1	TUBE	

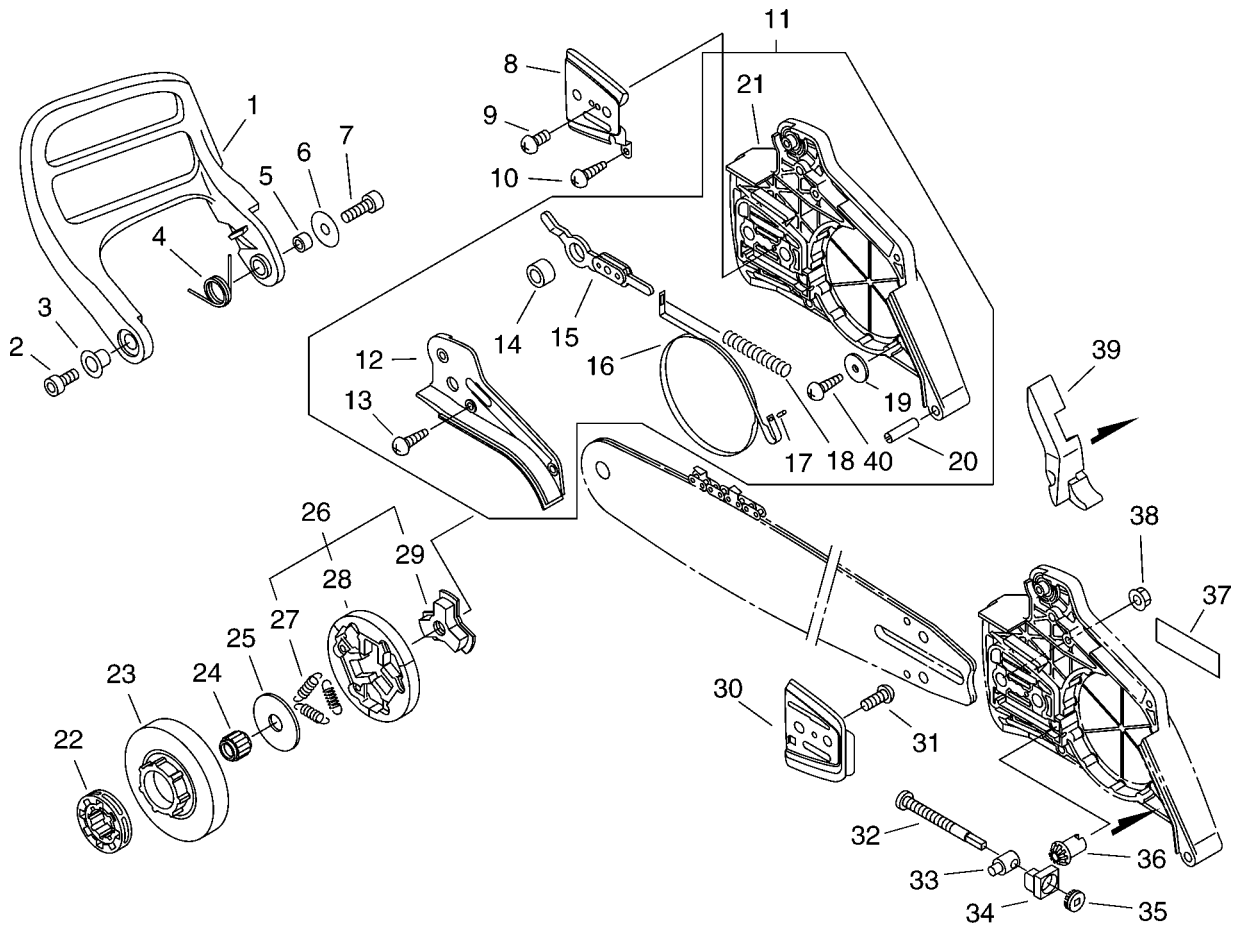


KEY	LV	PART NUMBER	Q'TY	DESCRIPTION	REMARKS
1		351155-35430	1	COVER, HANDLE (BL)	
2		900253-04014	1	SCREW 4*14	
3		C460-000072	1	LOCKOUT, THROTTLE	
4		C450-000212	1	CONTROL, THROTTLE	
5		V452-000260	1	SPRING, TORSION	
6		900345-40030	1	PIN, SPRING 4*30SUS	
7		100918-38330	2	CAP, CUSHION	
8		100915-32530	2	BOLT	
9		100921-38330	2	CUSHION	
10		100910-38330	2	CUSHION	
11		351111-19830	1	GRIP, HANDLE	
12		132115-44330	1	GROMMET	
13		132010-38331	1	PIPE	
14		132013-26630	1	CLIP	
15		131205-19830	1	STRAINER, FUEL	
16		P021-012500	1	HANDLE ASY, REAR	
17	+	131300-56430	1	VALVE, CHECK	
18	+	131328-40630	1	COVER, VENT	
19	+	132013-26630	1	CLIP	
20	+	132012-39331	1	PIPE	
21		V162-000040	1	PLUG	
22		P021-010600	1	FUEL CAP ASY	
23	+	A365-000050	1	CONNECTOR, CAP	
24	+	900720-00022	1	O-RING 22	
25		91145-05020	2	BOLT HS TAPPING	
26		C400-000010	1	HANDLE, FRONT	
27		91145-05016	2	BOLT HS TAPPING	

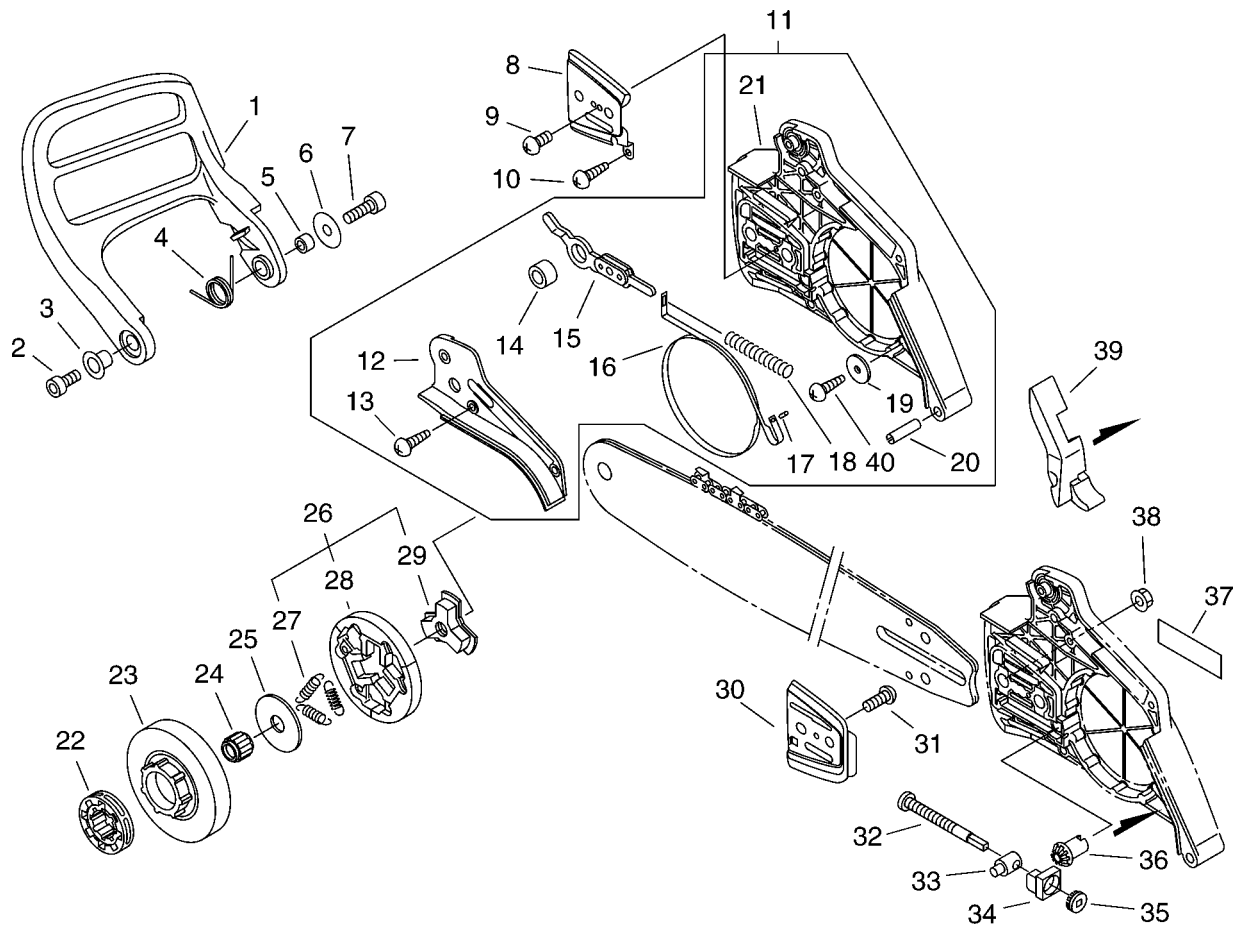


KEY	LV	PART NUMBER	Q'TY	DESCRIPTION	REMARKS
1		437229-38331	1	PIPE	
2		132013-26630	1	CLIP	
3		132115-12330	1	GROMMET	
4		437210-38330	1	PIPE, OIL	
5		436205-14730	1	STRAINER, OIL	
6		175310-38330	1	PLATE, SEAL	
7		P021-011291	1	AUTO-OILER ASY	
8	+	V356-000351	1	COLLAR,10	
9	+	V652-000030	1	GEAR,WORM	
10	+	V308-000030	1	WASHER,CIRCULAR 11	
11	+	C022-000030	1	AUTO-OILER ASSEMBLY	
12	++	437016-38330	1	NEEDLE, ADJUST	
13	++	437029-37330	1	WASHER	
14	++	437015-37330	1	SPRING	
15	++	123127-15030	1	RING	
16	++	437024-37330	1	PLUNGER	
17	++	437019-38330	1	SPRING	
18	++	437062-38330	1	CAP, OIL PUMP	
19		900223-04016	2	SCREW	
20		898510-39130	1	BAG, TOOL	
21		X602-000080	1	TOOL,WRENCH	
22		895811-00130	1	DRIVER, SCREW 125	
23		P021-014290	1	SCABBARD,CHAIN	
24	+	898568-14530	1	ROPE	

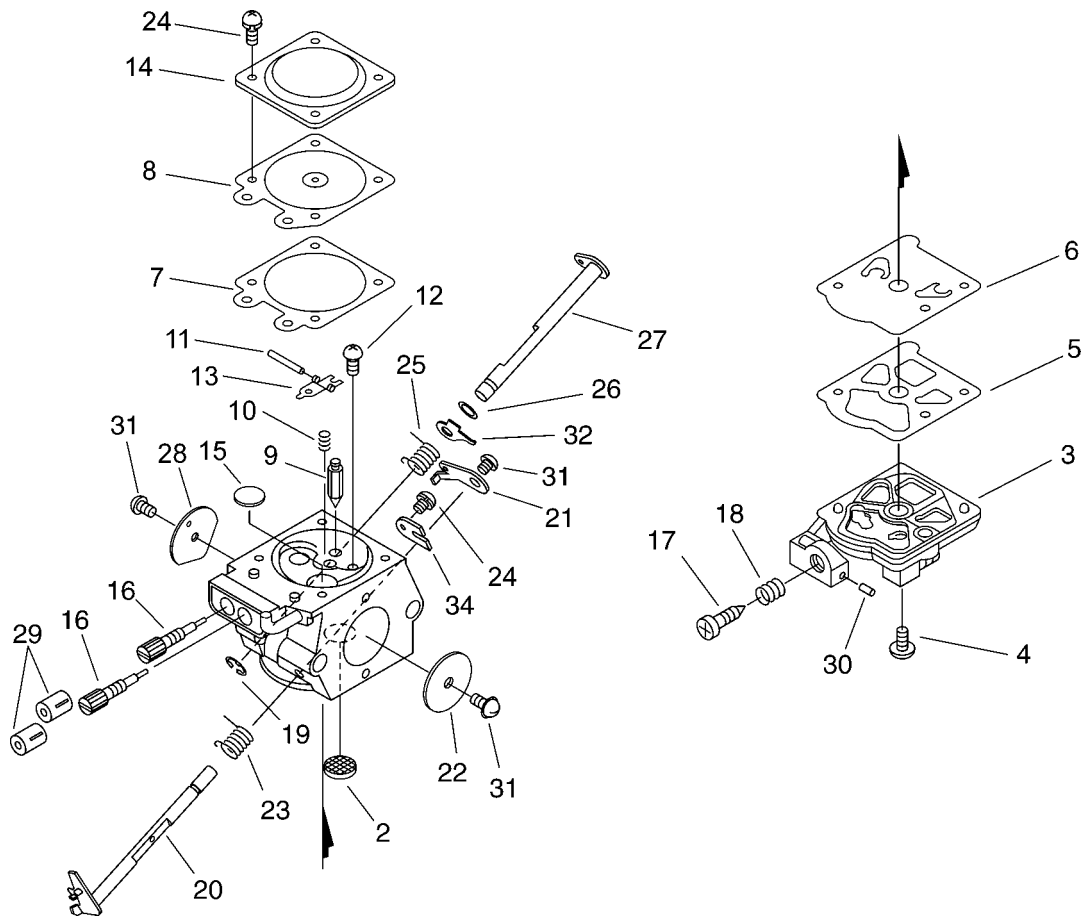




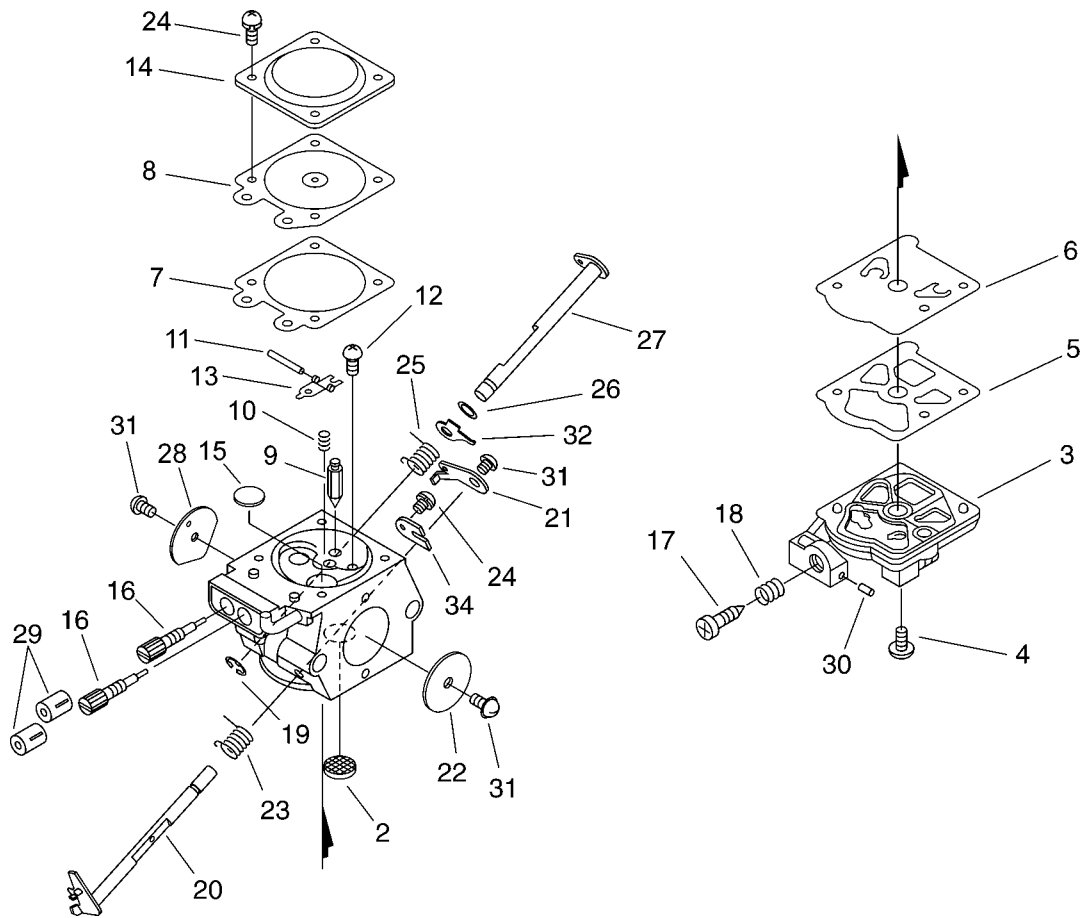
KEY	LV	PART NUMBER	Q'TY	DESCRIPTION	REMARKS
1		C320-000140	1	LEVER, BRAKE	
2		900105-05030	1	BOLT, H.S. 5*30	
3		V356-000300	1	COLLAR,10	
4		V452-000250	1	SPRING,TORSION	
5		433116-35430	1	SPACER 8	
6		177214-03930	1	WASHER	
7		V202-000120	1	BOLT,4	
8		C305-000001	1	PLATE, SPROCKET GUARD	
9		900220-03006	1	SCREW 3*6	
10		V202-000060	1	BOLT,4	
11		C032-000320	1	BRAKE ASY, CHAIN	
12	+	C345-000240	1	COVER, BRAKE	
13	+	V202-000060	3	BOLT,4	
14	+	433116-35430	1	SPACER 8	
15	+	C334-000090	1	CONNECTOR, BRAKE	
16	+	C328-000110	1	BAND, BRAKE	
17	+	900330-30120	1	PIN	
18	+	V450-000070	1	SPRING, COMPRESSION	
19	+	351249-06960	1	WASHER	
20	+	900342-60025	1	PIN, SPRING	
21	+	C300-000350	1	GUARD, SPROCKET	
40	+	900253-04016	1	SCREW 4*16	
22		175114-12530	1	SPROCKET, RIM .325	
23		A556-000440	1	DRUM, CLUTCH	



KEY	LV	PART NUMBER	Q'TY	DESCRIPTION	REMARKS
24		100113-04630	1	BEARING, NEEDLE	
25		175019-39430	1	PLATE, CLUTCH	
26		A056-000180	1	CLUTCH ASY	
27	+	V451-000500	3	SPRING, TENSION	
28	+	P021-007050	1	CLUTCH SHOE SET	
29	+	A552-000070	1	HUB, CLUTCH	
30		433013-35432	1	PLATE, GUIDE (INNER)	
31		900220-04006	1	SCREW 4*6	
32		V203-000110	1	BOLT, 5	
33		C309-000030	1	TENSIONER, CHAIN	
34		V355-000270	1	COLLAR, 8	
35		V651-000011	1	GEAR, BEVEL	
36		V651-000001	1	GEAR, BEVEL	
37		X502-000340	1	LABEL, ECHO	
38		433019-12330	2	NUT, FLANGE 8	
39		C302-000000	1	PAD, GUARD	



KEY	LV	PART NUMBER	Q'TY	DESCRIPTION	REMARKS
		A021-001470	1	CARBURETOR,DIAPHRAGM	
2	+	123126-10631	1	SCREEN, INLET	
3	+	123124-38330	1	COVER, FUEL PUMP	
4	+	123110-03930	1	SCREW, PUMP COVER	
5	+	123125-15030	1	GASKET, FUEL PUMP	
6	+	123112-15030	1	DIAPHRAGM, FUEL PUMP	
7	+	123140-03930	1	GASKET, M. DIAPHRAGM	
8	+	P003-001850	1	DIAPHRAGM, METERING	
9	+	123137-19830	1	VALVE, INLET NEEDLE	
10	+	123122-39330	1	SPRING, METER. LEVER	
11	+	123138-03930	1	PIN, METERING LEVER	
12	+	123139-03930	1	SCREW, M. LEVER PIN	
13	+	123123-03930	1	LEVER, METERING	
14	+	123142-03930	1	COVER, M. DIAPHRAGM	
15	+	123146-10631	1	PLUG, WELCH	
16	+	123120-03661	2	NEEDLE	
17	+	123134-04260	1	SCREW, IDLE ADJUST	
18	+	123133-04260	1	SPRING, IDLE ADJUST	
19	+	123127-15030	1	RING	
20	+	P003-001810	1	SHAFT ASY,THROTTLE	
21	+	P003-001780	1	EVER, THROTTLE	
22	+	123116-10530	1	VALVE, THROTTLE	
23	+	123113-37530	1	SPRING, THROTTLE RTN	
24	+	123130-02960	5	SCREW	



KEY	LV	PART NUMBER	Q'TY	DESCRIPTION	REMARKS
25	+	P003-000140	1	SPRING	
26	+	123149-26030	1	WASHER	
27	+	P003-000150	1	CHOKE, SHAFT	
28	+	P003-001790	1	VALVE, CHOKE	
29	+	P003-000010	2	LIMITER CAP	
30	+	123178-15030	1	PLUG, FRICTION	
31	+	123114-38830	3	SCREW	
32	+	P003-001510	1	LEVER-FAST IDLE	
34	+	123127-03930	1	CLIP, THROTTLE SHAFT	

**Index**

<b>Parts Number</b>	<b>Key No.</b>	<b>Parts Number</b>	<b>Key No.</b>	<b>Parts Number</b>	<b>Key No.</b>
A021-001470	2 - 6	P021-011291	5 - 7	100215-03930	1 - 35
A021-001470	7 -	P021-012420	1 - 4	100910-38330	4 - 10
A056-000180	6 - 26	P021-012430	1 - 8	100915-32530	4 - 8
A160-000940	1 - 24	P021-012440	1 - 15	100915-33930	1 - 29
A172-000062	3 - 13	P021-012470	1 - 34	100918-38330	1 - 28
A204-000004	2 - 9	P021-012480	1 - 40	100918-38330	4 - 7
A235-000020	1 - 18	P021-012490	2 - 16	100921-38330	1 - 30
A241-000100	2 - 25	P021-012500	4 - 16	100921-38330	4 - 9
A319-000080	2 - 27	P021-013481	3 - 14	123110-03930	7 - 4
A365-000050	1 - 45	P021-014270	1 - 20	123112-15030	7 - 6
A365-000050	4 - 23	P021-014280	2 - 30	123113-37530	7 - 23
A409-000080	3 - 6	P021-014290	5 - 23	123114-38830	7 - 31
A411-000181	3 - 4	V100-000131	1 - 5	123116-10530	7 - 22
A425-000000	3 - 1	V150-001740	1 - 27	123120-03661	7 - 16
A426-000010	3 - 2	V162-000040	4 - 21	123122-39330	7 - 10
A427-000013	3 - 3	V202-000060	6 - 10	123123-03930	7 - 13
A439-000310	2 - 18	V202-000060	6 - 13	123124-38330	7 - 3
A506-000100	3 - 18	V202-000120	6 - 7	123125-15030	7 - 5
A552-000070	6 - 29	V203-000090	3 - 12	123126-10631	7 - 2
A556-000440	6 - 23	V203-000110	6 - 32	123127-03930	7 - 34
C022-000030	5 - 11	V308-000030	5 - 10	123127-15030	5 - 15
C032-000320	6 - 11	V341-000080	1 - 33	123127-15030	7 - 19
C300-000321	1 - 39	V355-000270	6 - 34	123130-02960	7 - 24
C300-000350	6 - 21	V356-000300	6 - 3	123133-04260	7 - 18
C302-000000	6 - 39	V356-000351	5 - 8	123134-04260	7 - 17
C304-000030	1 - 32	V420-001130	2 - 2	123137-19830	7 - 9
C305-000001	6 - 8	V450-000070	6 - 18	123138-03930	7 - 11
C309-000030	6 - 33	V451-000500	6 - 27	123139-03930	7 - 12
C310-000000	1 - 26	V452-000250	6 - 4	123140-03930	7 - 7
C320-000140	6 - 1	V452-000260	4 - 5	123142-03930	7 - 14
C328-000110	6 - 16	V471-001240	2 - 20	123146-10631	7 - 15
C334-000090	6 - 15	V475-002390	3 - 26	123149-26030	7 - 26
C345-000240	6 - 12	V505-000010	1 - 16	123178-15030	7 - 30
C400-000010	4 - 26	V651-000001	6 - 36	123181-39130	2 - 22
C450-000212	4 - 4	V651-000011	6 - 35	130000-38331	2 - 1
C454-000150	2 - 14	V652-000030	5 - 9	130010-38330	2 - 4
C460-000072	4 - 3	X502-000340	6 - 37	130016-39930	1 - 3
C483-000000	2 - 15	X502-000410	3 - 24	130020-33330	2 - 3
P003-000010	7 - 29	X503-008960	1 - 19	130110-38330	2 - 5
P003-000140	7 - 25	X505-000180	1 - 48	130310-38331	2 - 8
P003-000150	7 - 27	X524-001900	1 - 47	130338-32430	1 - 21
P003-001510	7 - 32	X602-000080	5 - 21	130405-38333	2 - 7
P003-001780	7 - 21	100011-38930	1 - 9	130430-38330	2 - 11
P003-001790	7 - 28	100012-35430	1 - 12	130510-39932	1 - 2
P003-001810	7 - 20	100013-35430	1 - 10	131205-19830	4 - 15
P003-001850	7 - 8	100014-19730	1 - 13	131300-56430	4 - 17
P021-007050	6 - 28	100015-03931	1 - 11	131328-40630	4 - 18
P021-007630	1 - 44	100113-04630	6 - 24	132010-38331	4 - 13
P021-010600	4 - 22	100142-39130	1 - 14	132012-39331	4 - 20

**Index**

<b>Parts Number</b>	<b>Key No.</b>	<b>Parts Number</b>	<b>Key No.</b>	<b>Parts Number</b>	<b>Key No.</b>
132013-26630	4 - 14	900105-05016	2 - 29		
132013-26630	4 - 19	900105-05030	6 - 2		
132013-26630	5 - 2	900105-06014	2 - 28		
132115-12330	5 - 3	900162-04016	1 - 42		
132115-44330	4 - 12	900162-04030	3 - 5		
145510-35431	2 - 32	900162-05014	1 - 25		
162010-38332	2 - 13	900162-05022	1 - 7		
163400-38330	2 - 24	900162-05050	2 - 10		
163413-38930	2 - 17	900162-05055	1 - 6		
175019-39430	6 - 25	900220-03006	6 - 9		
175114-12530	6 - 22	900220-04006	2 - 12		
175310-38330	5 - 6	900220-04006	6 - 31		
177214-02830	3 - 16	900223-04016	5 - 19		
177214-03930	6 - 6	900238-05012	1 - 1		
177218-19830	3 - 10	900238-05012	3 - 15		
177220-35430	3 - 20	900238-05016	1 - 38		
177221-35430	3 - 19	900238-05018	3 - 25		
177226-19830	3 - 17	900238-05025	1 - 23		
177227-37930	3 - 23	900253-04014	4 - 2		
177228-35430	3 - 21	900253-04016	6 - 40		
177234-35430	3 - 8	900296-03014	3 - 22		
177247-04630	3 - 11	900330-30120	6 - 17		
178810-14534	2 - 19	900342-60025	6 - 20		
351111-19830	4 - 11	900345-40030	4 - 6		
351155-35430	4 - 1	900515-00008	3 - 7		
351249-06960	6 - 19	900603-00005	3 - 9		
433011-19830	1 - 37	900720-00022	4 - 24		
433013-35432	6 - 30	900721-00025	1 - 46		
433019-12330	6 - 38	900888-36201	1 - 17		
433116-35430	6 - 5	91100-06008	2 - 26		
433116-35430	6 - 14	91145-05016	4 - 27		
436018-38330	1 - 36	91145-05020	4 - 25		
436019-38330	1 - 41	91367-04010	2 - 31		
436114-13930	1 - 43				
436205-14730	5 - 5				
437015-37330	5 - 14				
437016-38330	5 - 12				
437019-38330	5 - 17				
437024-37330	5 - 16				
437029-37330	5 - 13				
437062-38330	5 - 18				
437210-38330	5 - 4				
437229-38331	5 - 1				
890157-39130	2 - 23				
890345-39230	1 - 49				
895811-00130	5 - 22				
898510-39130	5 - 20				
898568-14530	5 - 24				
900105-05012	1 - 31				



# KIORITZ CORPORATION

7-2 SUEHIROCHO 1-CHOME, OHME, TOKYO 198-8711, JAPAN  
PHONE: 81-428-32-6118. FAX: 81-428-32-6145.

**ECHO**<sup>®</sup>

200711 No.64-179(641297)641126,641283