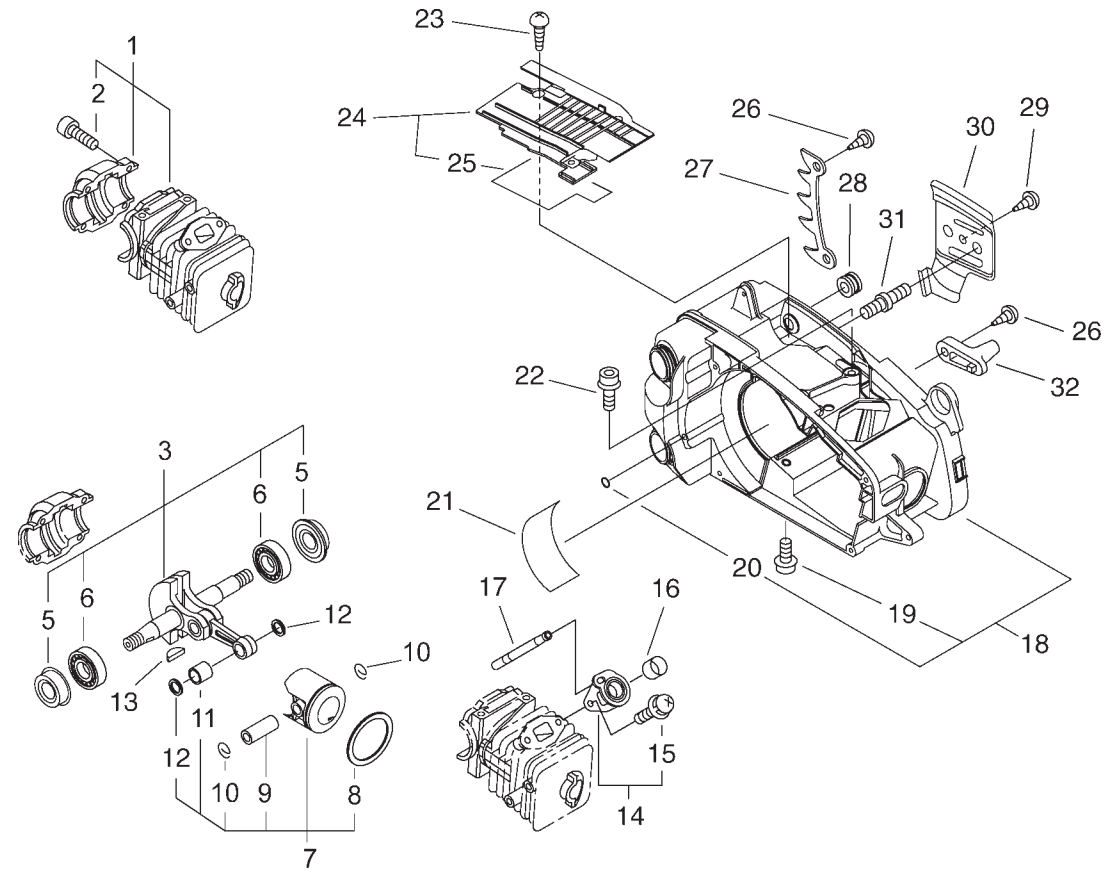
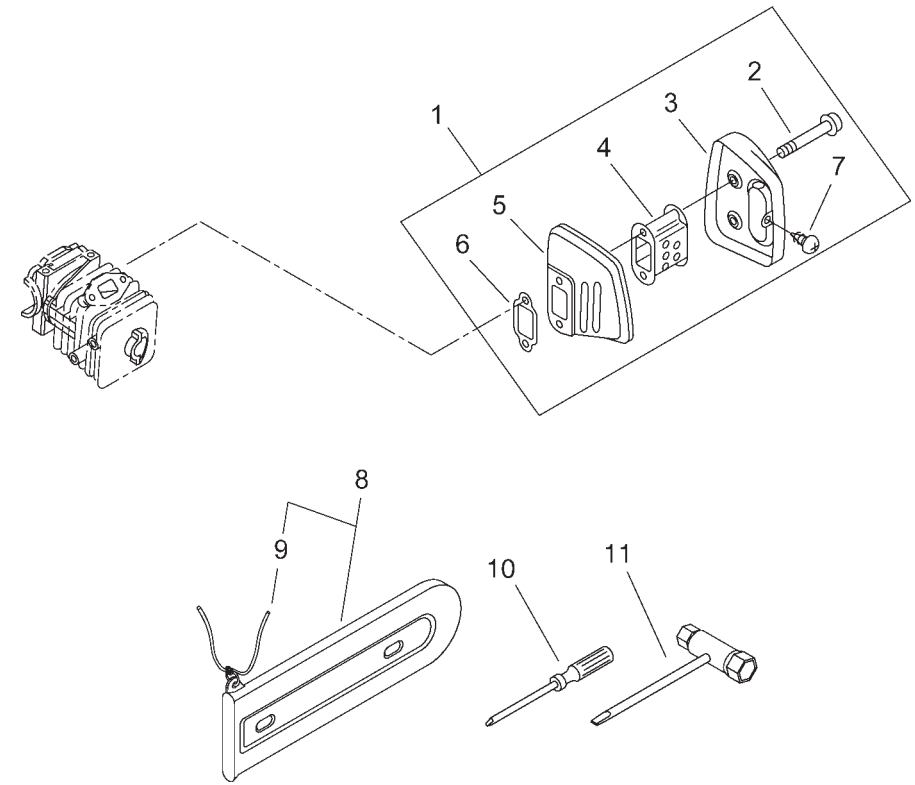


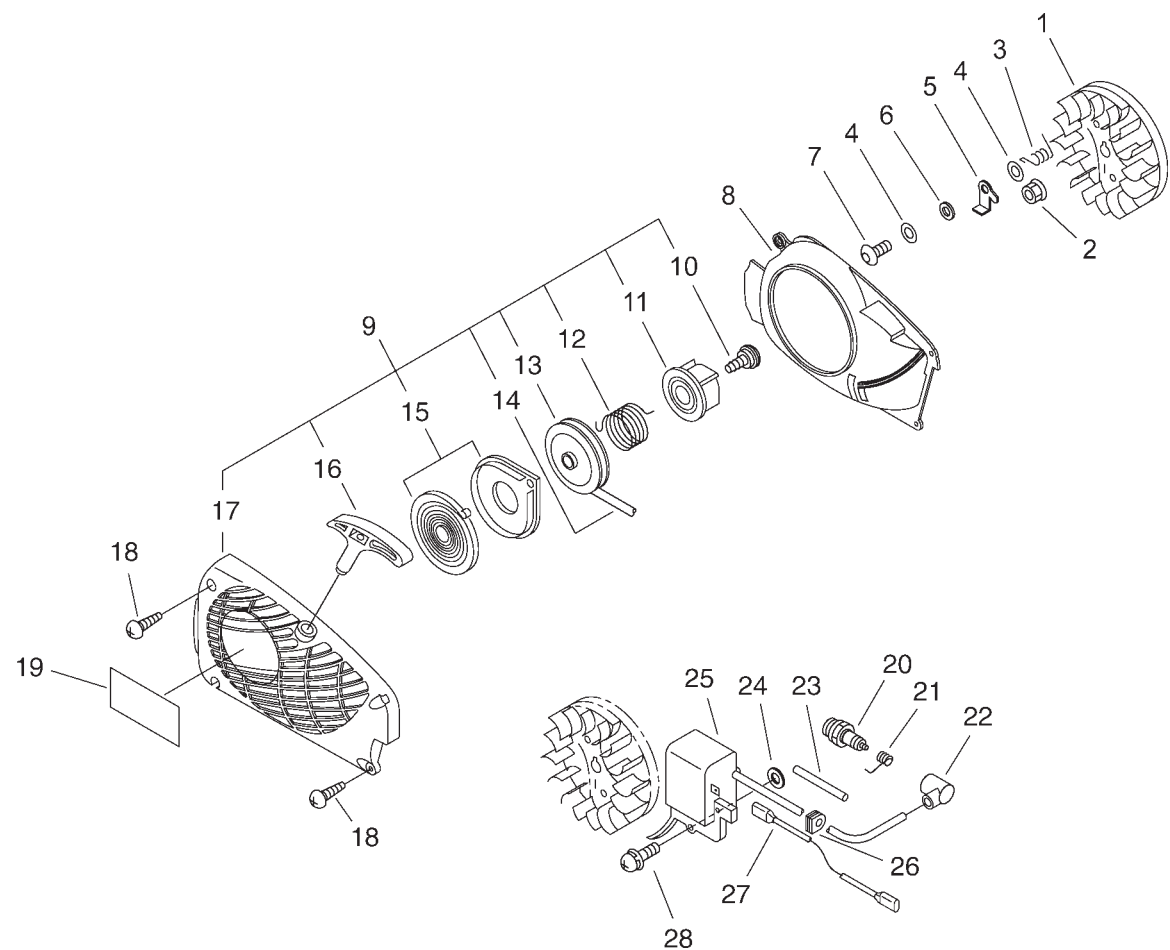
| KEY | LV | PART NUMBER | Q'TY | DESCRIPTION | REMARKS |
|-----|----|--------------|------|--------------------|---------|
| 1 | | P021-009250 | 1 | CRANKCASE SET | |
| 2 | + | 900162-05025 | 4 | BOLT, H.S. 5*25 | |
| 3 | | P021-010701 | 1 | CRANKSHAFT ASY | |
| 5 | + | V505-000010 | 2 | SEAL,OIL 12 | |
| 6 | + | 94035-36201 | 2 | BEARING BALL | |
| 7 | | P021-009230 | 1 | PISTON KIT | |
| 8 | + | A101-000120 | 1 | RING,PISTON | |
| 9 | + | 100013-15330 | 1 | PIN,PISTON | |
| 10 | + | 100015-04630 | 2 | CIRCLIP,PISTON PIN | |
| 11 | + | V553-000040 | 1 | BEARING,NEEDLE 8 | |
| 12 | + | 100014-60930 | 2 | SPACER,PISTON PIN | |
| 13 | | 100142-12330 | 1 | KEY,WOODRUFF | |
| 14 | | P021-005732 | 1 | BELLOWS,INTAKE KIT | |
| 15 | + | 91420-05012 | 2 | SCREW | |
| 16 | | V359-000060 | 1 | COLLAR,16 | |
| 17 | | V470-000481 | 1 | PIPE | |
| 18 | | P021-008676 | 1 | COVER,ENGINE KIT | |
| 19 | + | 900106-05030 | 2 | BOLT, H.S.H. 5*30 | |
| 20 | + | 900724-00004 | 1 | O-RING (S-4) | |
| 21 | | V420-001110 | 1 | CUSHION | |
| 22 | | 900106-05020 | 2 | BOLT, H.S. 5*20 | |
| 23 | | 900253-04012 | 2 | SCREW | |
| 24 | | P021-008741 | 1 | DUSTCOVER SET | |
| 25 | + | V341-000040 | 1 | WASHER,SQUARE | |



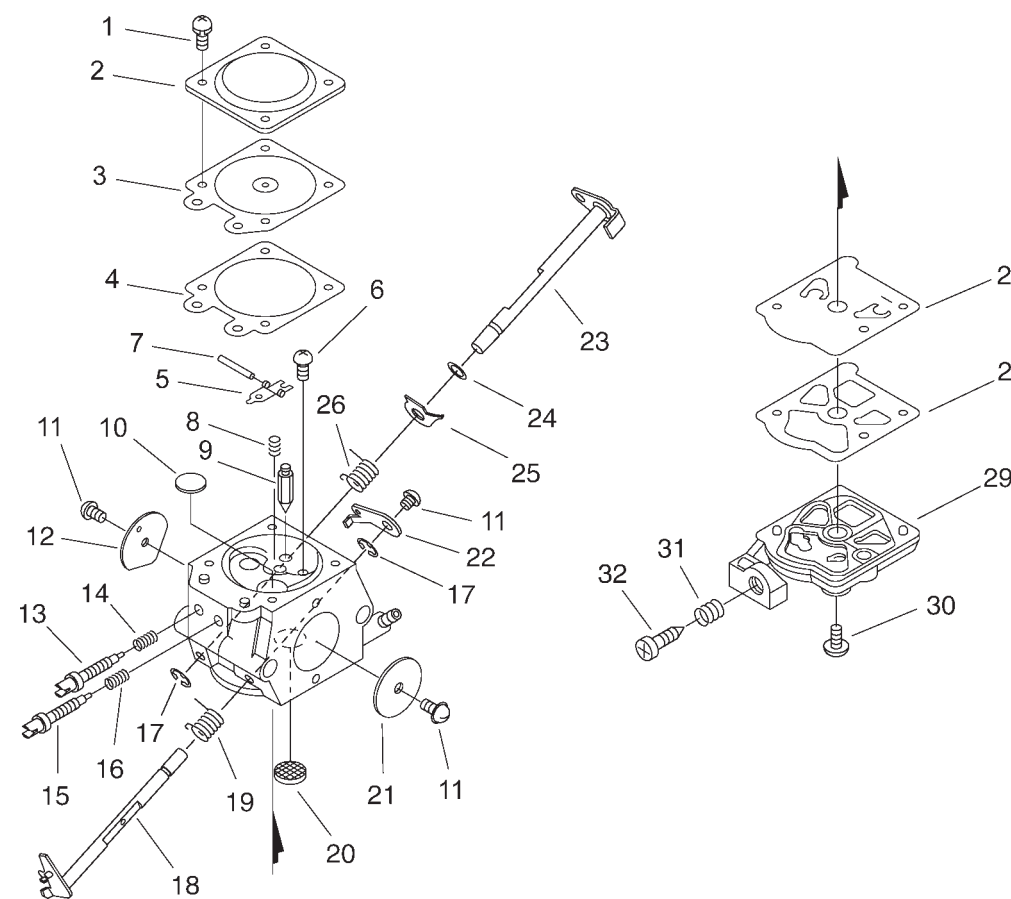
| KEY | LV | PART NUMBER | Q'TY | DESCRIPTION | REMARKS |
|-----|----|--------------|------|-----------------------|---------|
| 26 | | 900253-05020 | 2 | SCREW 5*20 | |
| 27 | | C304-000000 | 1 | SPIKE | |
| 28 | | 163911-30130 | 1 | PLUG | |
| 29 | | 900253-04010 | 1 | SCREW 4*10 | |
| 30 | | C305-000070 | 1 | PLATE, SPROCKET GUARD | |
| 31 | | 433011-03931 | 2 | STUD, GUIDE BAR | |
| 32 | | 433026-35430 | 1 | CATCHER, CHAIN | |



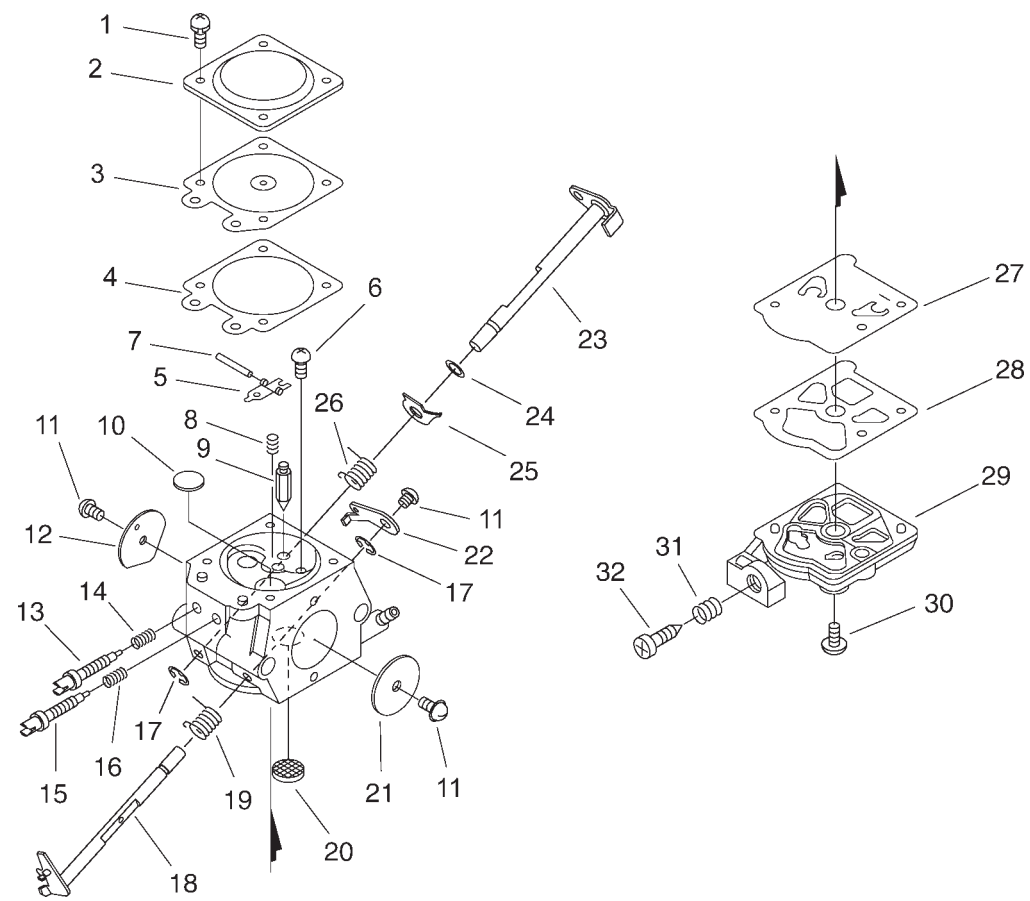
| KEY | LV | PART NUMBER | Q'TY | DESCRIPTION | REMARKS |
|-----|----|--------------|------|---------------------|---------|
| 1 | | P021-004951 | 1 | MUFFLER ASY | |
| 2 | + | 91107-05040 | 2 | BOLT HSH FLANGE | |
| 3 | + | A303-000041 | 1 | LID,MUFFLER | |
| 4 | + | A301-000000 | 1 | PLATE,MUFFLER | |
| 5 | + | A300-000370 | 1 | MUFFLER,EXHAUST | |
| 6 | + | 145510-13931 | 1 | GASKET, MUFFLER | |
| 7 | + | 900250-04008 | 1 | SCREW 4*8 | |
| 8 | | P021-006951 | 1 | SCABBARD,CHAIN | |
| 9 | + | 898568-14530 | 1 | ROPE | |
| 10 | | 895812-03930 | 1 | DRIVER, SCREW 50 | |
| 11 | | 895410-03930 | 1 | WRENCH, W/S. DRIVER | |



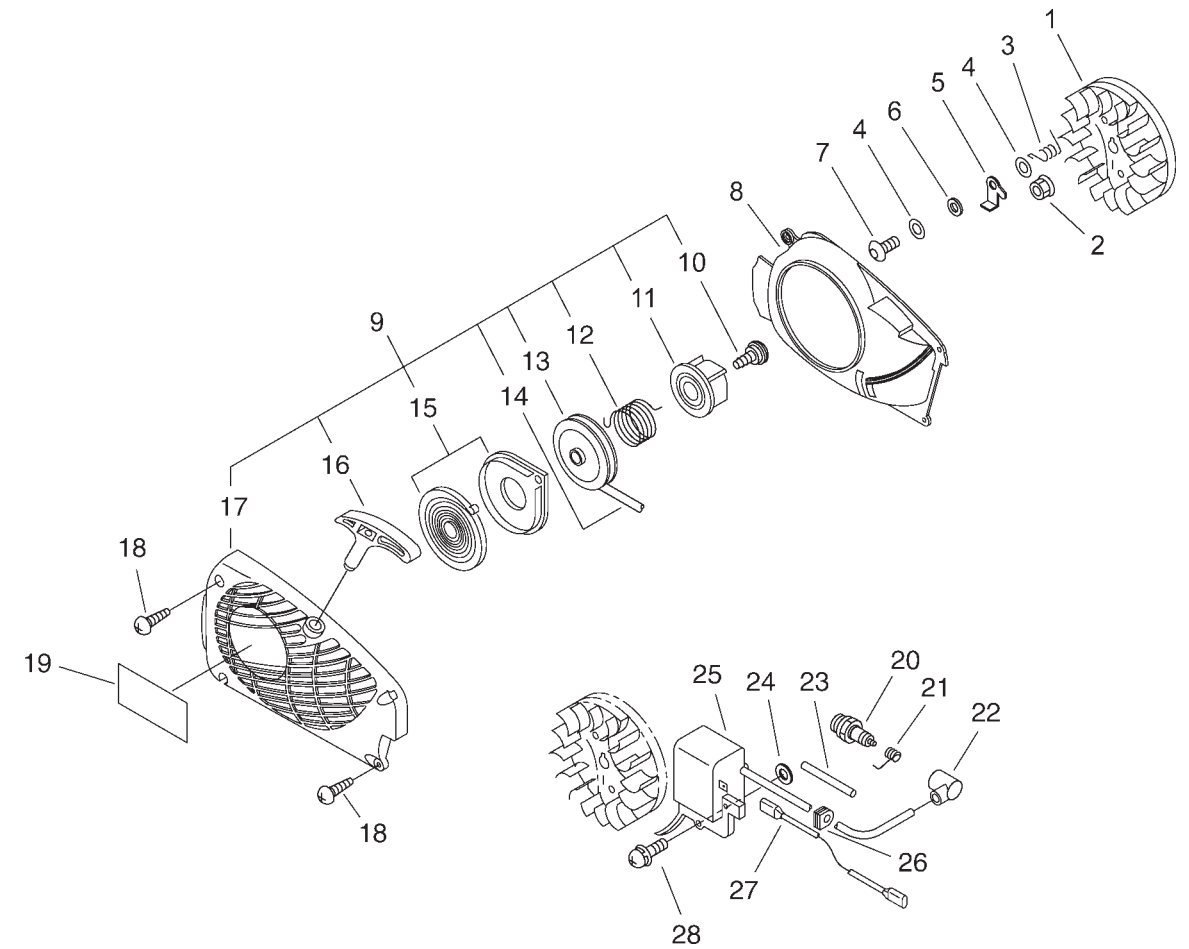
| KEY | LV | PART NUMBER | Q'TY | DESCRIPTION | REMARKS |
|-----|----|--------------|------|----------------------|---------|
| 1 | | A409-000170 | 1 | ROTOR,MAGNETO | |
| 2 | | 900515-00008 | 1 | NUT, FLANGE 8 | |
| 3 | | 177234-35430 | 2 | SPRING, RETURN | |
| 4 | | 900603-00005 | 4 | WASHER 5 | |
| 5 | | A514-000020 | 2 | PAWL | |
| 6 | | 177247-04630 | 2 | SPACER, RATCHET | |
| 7 | | V203-000080 | 2 | BOLT,5 | |
| 8 | | A172-000501 | 1 | COVER,FAN | |
| 9 | | A051-000802 | 1 | STARTER,RECOIL | |
| 10 | + | 177236-61830 | 1 | SCREW | |
| 11 | + | A507-000021 | 1 | CATCHER,PAWL | |
| 12 | + | V452-000220 | 1 | SPRING,TORSION | |
| 13 | + | A506-000030 | 1 | RÉEL,ROPE | |
| 14 | + | P022-008440 | 1 | ROPE, STARTER | |
| 15 | + | P022-001330 | 1 | SPRING KIT, REWIND | |
| 16 | + | P022-005890 | 1 | GRIP, STARTER | |
| 17 | + | P022-009770 | 1 | STARTER,RECOIL | |
| 18 | | 900256-04016 | 4 | SCREW 4*16 | |
| 19 | | X502-000100 | 1 | LABEL,ECHO | |
| 20 | | 159010-10630 | 1 | PLUG, SPARK (BPM-7A) | |
| 21 | | A426-000000 | 1 | TERMINAL,SPARKPLUG | |
| 22 | | A427-000000 | 1 | CAP,SPARK PLUG | |
| 23 | | V475-002390 | 2 | TUBE | |
| 24 | | 150117-16430 | 2 | SPACER | |



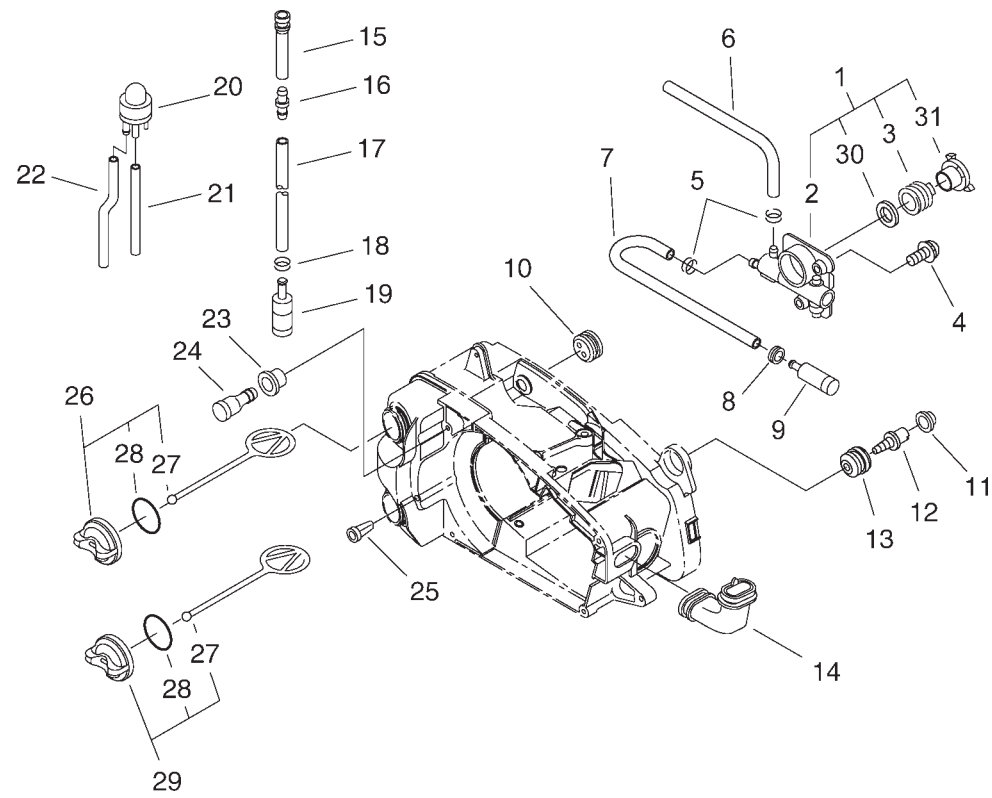
| KEY | LV | PART NUMBER | Q'TY | DESCRIPTION | REMARKS |
|-----|----|--------------|------|----------------------|---------|
| 24 | + | 123149-26030 | 1 | WASHER | |
| 25 | + | P003-001510 | 1 | LEVER-FAST IDLE | |
| 26 | + | P003-001470 | 1 | SPRING | |
| 27 | + | 123112-15030 | 1 | DIAPHRAGM, FUEL PUMP | |
| 28 | + | 123125-15030 | 1 | GASKET, FUEL PUMP | |
| 29 | + | 123124-24430 | 1 | COVER, FUEL PUMP | |
| 30 | + | 123110-03930 | 1 | SCREW, PUMP COVER | |
| 31 | + | 123133-04260 | 1 | SPRING, IDLE ADJUST | |
| 32 | + | 123134-04260 | 1 | SCREW, IDLE ADJUST | |



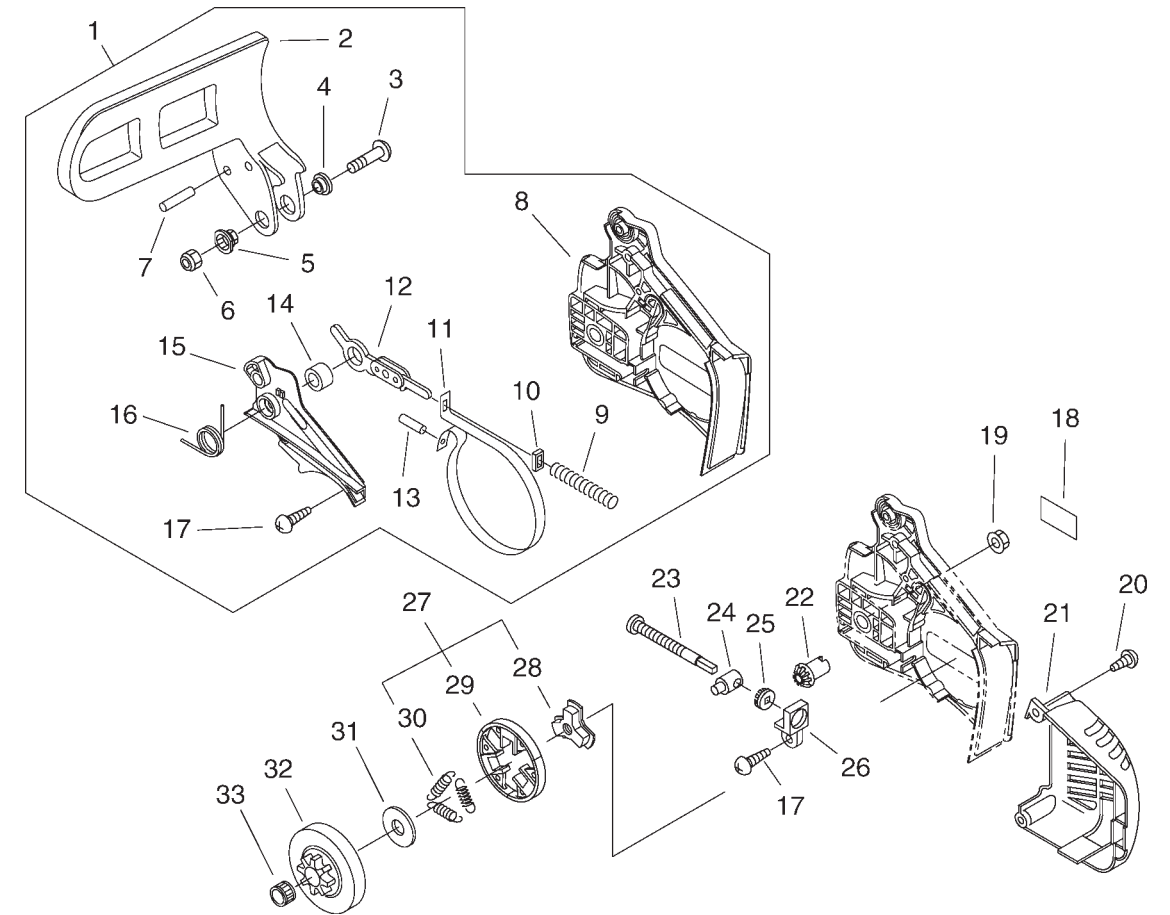
| KEY | LV | PART NUMBER | Q'TY | DESCRIPTION | REMARKS |
|-----|----|--------------|------|----------------------|---------|
| | | A021-001062 | 1 | CARBURETOR,DIAPHRAGM | |
| 1 | + | 123130-02960 | 4 | SCREW | |
| 2 | + | 123142-03930 | 1 | COVER, M. DIAPHRAGM | |
| 3 | + | 123141-03930 | 1 | DIAPHRAGM, METERING | |
| 4 | + | 123140-27230 | 1 | GASKET,M. DIAPHRAGM | |
| 5 | + | 123123-03930 | 1 | LEVER, METERING | |
| 6 | + | 123139-03930 | 1 | SCREW, M. LEVER PIN | |
| 7 | + | 123138-03930 | 1 | PIN, METERING LEVER | |
| 8 | + | 123122-39830 | 1 | SPRING, METER. LEVER | |
| 9 | + | 123137-19830 | 1 | VALVE, INLET NEEDLE | |
| 10 | + | 123146-10631 | 1 | PLUG, WELCH | |
| 11 | + | 123114-38830 | 3 | SCREW | |
| 12 | + | 123132-35430 | 1 | VALVE, CHOKE | |
| 13 | + | P003-001340 | 1 | NEEDLE POWER | |
| 14 | + | 123119-22130 | 1 | SPRING, NEEDLE | |
| 15 | + | P003-001330 | 1 | NEEDLE IDLE | |
| 16 | + | 123121-22130 | 1 | SPRING, NEEDLE | |
| 17 | + | 123127-15030 | 2 | RING | |
| 18 | + | P003-000480 | 1 | SHAFT,THROTTLE | |
| 19 | + | 123113-37530 | 1 | SPRING, THROTTLE RTN | |
| 20 | + | 123126-10631 | 1 | SCREEN, INLET | |
| 21 | + | 123116-10530 | 1 | VALVE, THROTTLE | |
| 22 | + | P003-001040 | 1 | LEVER THROTTLE | |
| 23 | + | P003-001140 | 1 | SHAFT, CHOKE | |



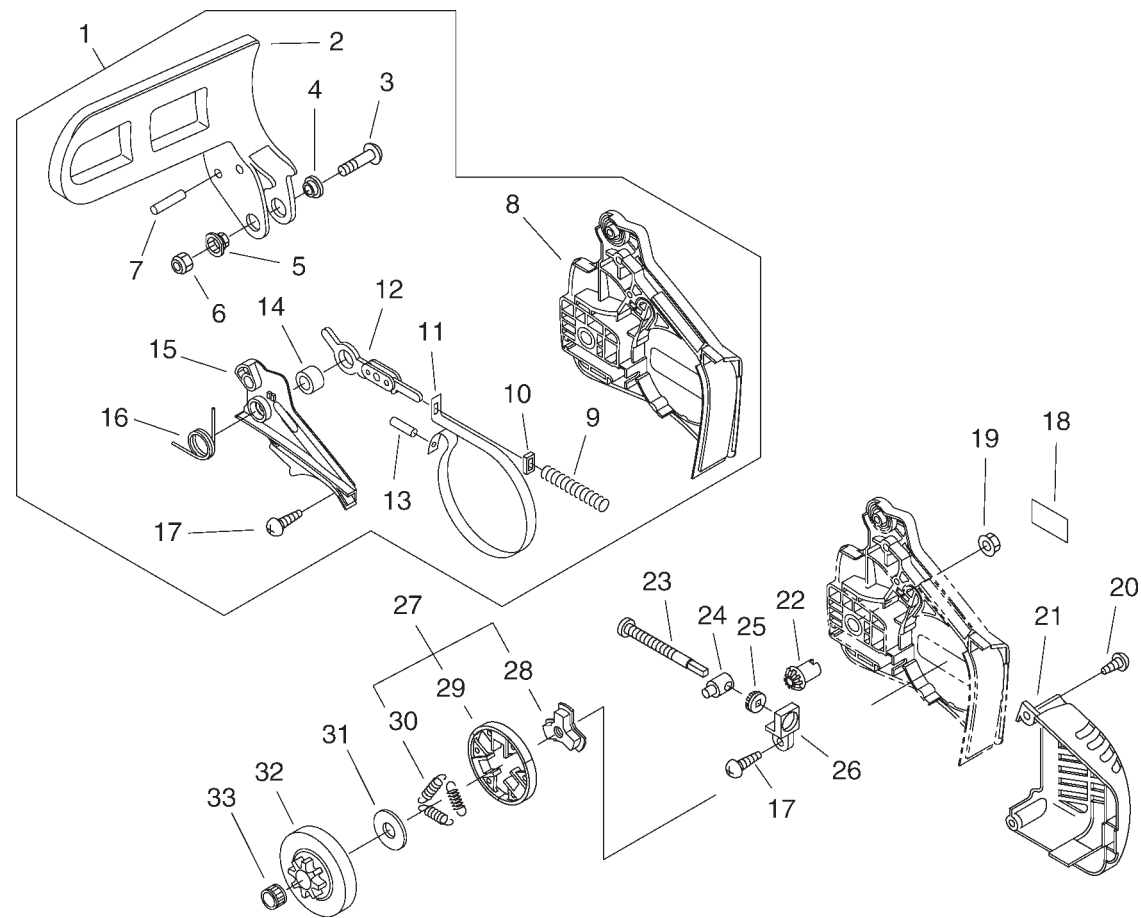
| KEY | LV | PART NUMBER | Q'TY | DESCRIPTION | REMARKS |
|-----|----|--------------|------|---------------|---------|
| 25 | | A411-000150 | 1 | COIL,IGNITION | |
| 26 | | 156110-04920 | 1 | BUSHING | |
| 27 | | V485-000550 | 1 | LEAD | |
| 28 | | 900238-05022 | 2 | SCREW 5*22 | |



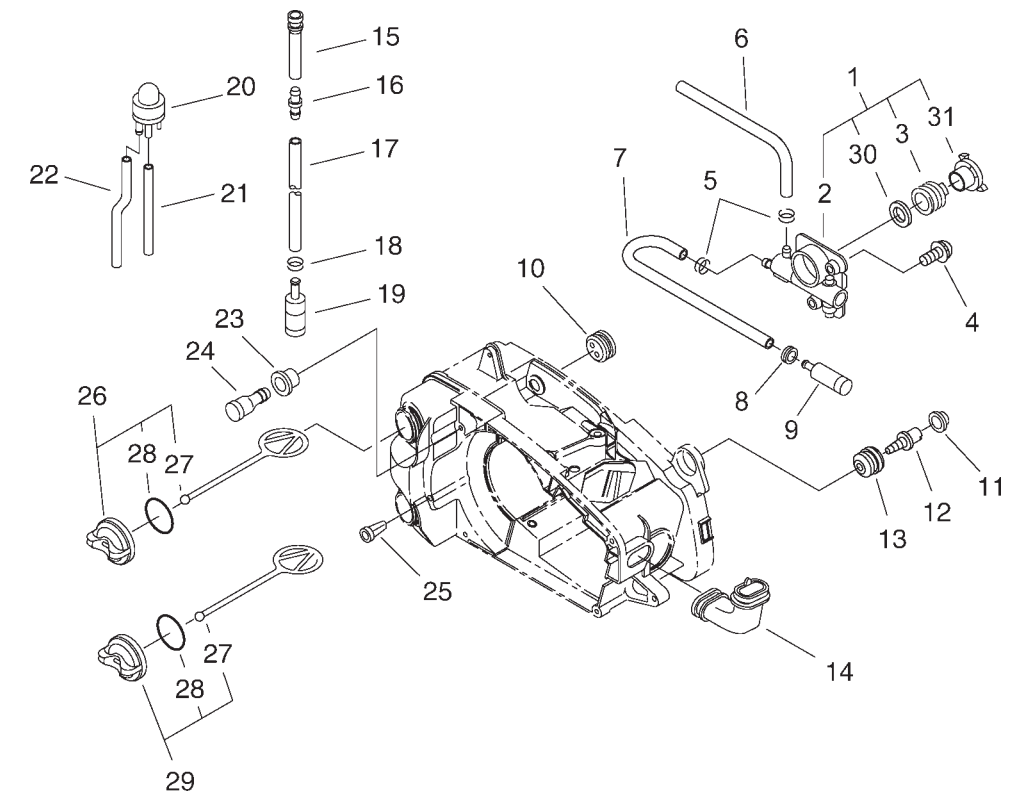
| KEY | LV | PART NUMBER | Q'TY | DESCRIPTION | REMARKS |
|-----|----|--------------|------|--------------------|---------|
| 1 | | P021-010890 | 1 | AUTO-OILER ASY | |
| 2 | + | C022-000020 | 1 | OILER,ASM AUTO | |
| 3 | + | V652-000030 | 1 | GEAR,WORM | |
| 30 | + | V308-000030 | 1 | WASHER,CIRCULAR 11 | |
| 31 | + | V356-000290 | 1 | COLLAR,10 | |
| 4 | | 900238-04012 | 2 | SCREW 4*12 | |
| 5 | | 132013-26630 | 2 | CLIP | |
| 6 | | V471-000760 | 1 | PIPE | |
| 7 | | V471-000740 | 1 | PIPE | |
| 8 | | 132115-01461 | 1 | GROMMET, FUEL | |
| 9 | | 436205-02832 | 1 | STRAINER, OIL | |
| 10 | | 132115-44330 | 1 | GROMMET | |
| 11 | | 100918-15130 | 1 | CAP | |
| 12 | | V202-000020 | 1 | BOLT,4 | |
| 13 | | 100910-18830 | 1 | CUSHION | |
| 14 | | A239-000030 | 1 | PIPE,INTAKE | |
| 15 | | V470-000320 | 1 | PIPE | |
| 16 | | V186-000020 | 1 | JOINT,PIPE | |
| 17 | | V471-000750 | 1 | PIPE | |
| 18 | | 132013-09820 | 1 | CLIP | |
| 19 | | 131205-14930 | 1 | STRAINER,FUEL | |
| 20 | | 123181-39130 | 1 | PUMP, PRIMER | |
| 21 | | V471-001290 | 1 | PIPE | |
| 22 | | V471-001440 | 1 | PIPE | |



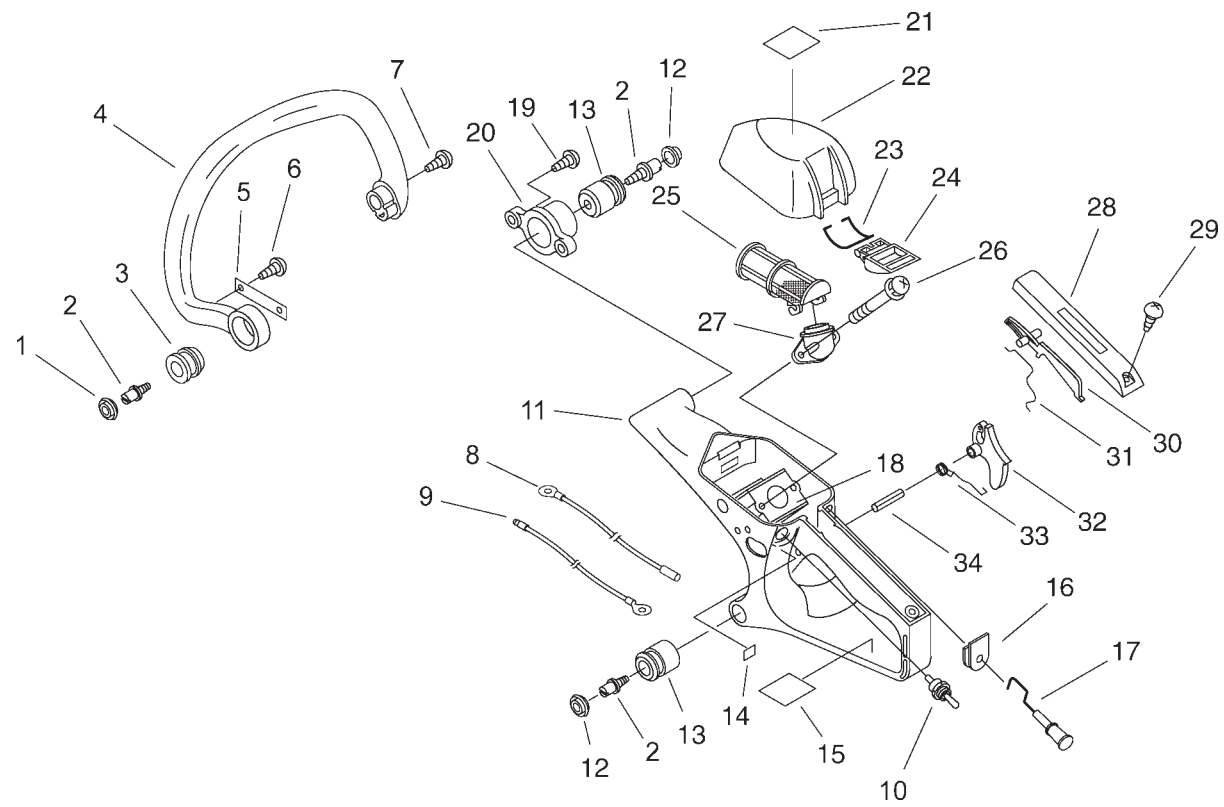
| KEY | LV | PART NUMBER | Q'TY | DESCRIPTION | REMARKS |
|-----|----|--------------|------|-----------------|---------|
| 25 | | V651-000011 | 1 | GEAR,BEVEL | |
| 26 | | V355-000140 | 1 | COLLAR,8 | |
| 17 | | 900253-04012 | 1 | SCREW | |
| 27 | | A056-000070 | 1 | CLUTCH | |
| 28 | + | A552-000020 | 1 | HUB,CLUTCH | |
| 29 | + | P021-005810 | 1 | CLUTCH SHOE SET | |
| 30 | + | V451-000470 | 3 | SPRING,TENSION | |
| 31 | | A551-000010 | 1 | PLATE,CLUTCH | |
| 32 | | 175005-39132 | 1 | DRUM, CLUTCH | |
| 33 | | 175012-00831 | 1 | BEARING, NEEDLE | |
| 34 | | 175014-39131 | 1 | WASHER, CLUTCH | |



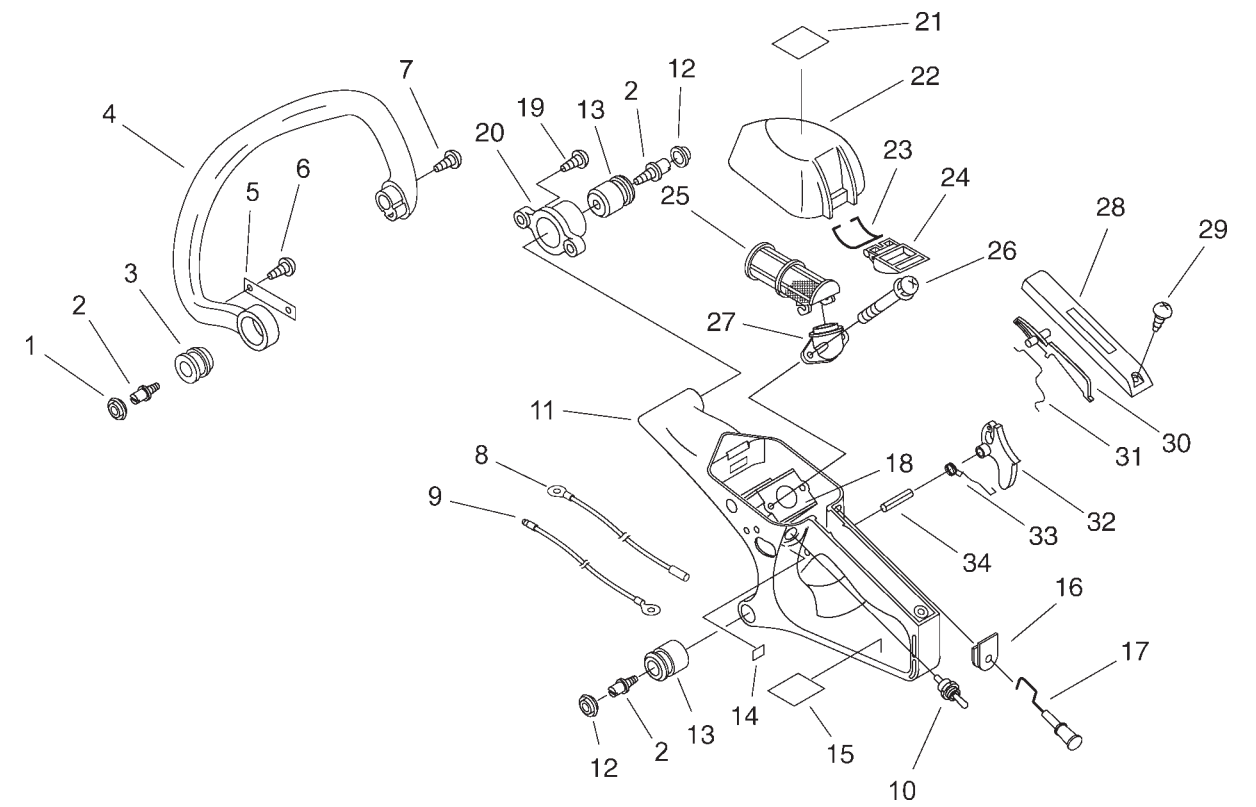
| KEY | LV | PART NUMBER | Q'TY | DESCRIPTION | REMARKS |
|-----|----|--------------|------|--------------------|---------|
| 1 | | C032-000213 | 1 | BRAKE,ASM CHAIN | |
| 2 | + | C320-000045 | 1 | LEVER,BRAKE | |
| 3 | + | 91318-05032 | 1 | SCREW | |
| 4 | + | 433167-39130 | 1 | SPACER | |
| 5 | + | V353-000060 | 1 | COLLAR,5 | |
| 6 | + | 900562-50005 | 1 | LOCKNUT 5 | |
| 7 | + | 900330-30260 | 2 | ROLLER 3*26 | |
| 8 | + | C300-000241 | 1 | GUARD,SPROCKET | |
| 9 | + | V450-000070 | 1 | SPRING,COMPRESSION | |
| 10 | + | V376-000450 | 1 | SPACER | |
| 11 | + | C328-000030 | 1 | BAND,BRAKE | |
| 12 | + | C334-000070 | 1 | CONNECTOR,BRAKE | |
| 13 | + | 93050-30098 | 1 | ROLLER | |
| 14 | + | 433116-35430 | 1 | SPACER 8 | |
| 15 | + | C345-000084 | 1 | COVER,BRAKE | |
| 16 | + | V452-000110 | 1 | SPRING,TORSION | |
| 17 | + | 900253-04012 | 3 | SCREW | |
| 18 | | X502-000020 | 1 | LABEL,ECHO | |
| 19 | | 433019-03933 | 2 | NUT, FLANGE 6 | |
| 20 | | 900253-04016 | 2 | SCREW 4*16 | |
| 21 | | A320-000183 | 1 | COVER,MUFFLER | |
| 22 | | V651-000001 | 1 | GEAR,BEVEL | |
| 23 | | V203-000041 | 1 | BOLT,5 | |
| 24 | | C309-000030 | 1 | TENSIONER,CHAIN | |



| KEY | LV | PART NUMBER | Q'TY | DESCRIPTION | REMARKS |
|-----|----|--------------|------|---------------|---------|
| 23 | | V137-000000 | 1 | GROMMET,FUEL | |
| 24 | | 131300-56430 | 1 | VALVE, CHECK | |
| 25 | | 436114-13930 | 1 | VALVE, CHECK | |
| 26 | | P021-005591 | 1 | FUEL CAP ASY | |
| 27 | + | A365-000050 | 1 | CONNECTOR,CAP | |
| 28 | + | 900720-00018 | 1 | O-RING 18 | |
| 29 | | P021-005581 | 1 | OIL CAP ASY | |
| 27 | + | A365-000050 | 1 | CONNECTOR,CAP | |
| 28 | + | 900720-00018 | 1 | O-RING 18 | |



| KEY | LV | PART NUMBER | Q'TY | DESCRIPTION | REMARKS |
|-----|----|--------------|------|----------------------|---------|
| 1 | | 100918-14330 | 1 | CAP, CUSHION | |
| 2 | | V202-000020 | 3 | BOLT,4 | |
| 3 | | V401-000120 | 1 | CUSHION,5 | |
| 4 | | C400-000320 | 1 | HANDLE,FRONT | |
| 5 | | C617-000200 | 1 | STOPPER | |
| 6 | | 900253-04008 | 1 | SCREW 4*8 | |
| 7 | | 900253-05020 | 2 | SCREW 5*20 | |
| 8 | | V485-000560 | 1 | LEAD | |
| 9 | | V485-000571 | 1 | LEAD | |
| 10 | | 163400-38430 | 1 | SWITCH, IGNITION | |
| 11 | | C410-000251 | 1 | HANDLE,REAR | |
| 12 | | 100918-15130 | 2 | CAP | |
| 13 | | V400-000041 | 2 | CUSHION,4 | |
| 14 | | 890157-39130 | 1 | LABEL, SWITCH | |
| 15 | | 890345-39230 | 1 | LABEL, CAUTION | |
| 16 | | V130-000010 | 1 | GROMMET,CHOKE | |
| 17 | | A241-000060 | 1 | KNOB,CHOKE | |
| 18 | | A021-001062 | 1 | CARBURETOR,DIAPHRAGM | |
| 19 | | 900253-04016 | 2 | SCREW 4*16 | |
| 20 | | V424-000000 | 1 | SLEEVE,CUSHION | |
| 21 | | X503-006200 | 1 | LABEL,MODEL | |
| 22 | | A232-000191 | 1 | LID,CLEANER | |
| 23 | | V582-000020 | 1 | RING,SNAP | |
| 24 | | A235-000140 | 1 | KNOB,CLEANER LID | |



| KEY | LV | PART NUMBER | Q'TY | DESCRIPTION | REMARKS |
|-----|----|--------------|------|---------------------|---------|
| 25 | | A226-000260 | 1 | ELEMENT,AIR FILTER | |
| 26 | | 900238-05050 | 2 | SCREW 5*50 | |
| 27 | | A204-000060 | 1 | ELBOW,CARBURETOR | |
| 28 | | C411-000001 | 1 | LID,HANDLE | |
| 29 | | 900253-04012 | 1 | SCREW | |
| 30 | | 178090-37930 | 1 | LOCKOUT, T. CONTROL | |
| 31 | | C454-000110 | 1 | ROD,THROTTLE | |
| 32 | | C450-000140 | 1 | TRIGGER,THROTTLE | |
| 33 | | 178043-35430 | 1 | SPRING, THR.RETURN | |
| 34 | | 900345-40025 | 1 | PIN, SPRING 4*25SUS | |

 **KIORITZ CORPORATION**

7-2 SUEHIROCHO 1-CHOME, OHME, TOKYO 198-8711, JAPAN
PHONE: 81-428-32-6118. FAX: 81-428-32-6145.





PARTS CATALOGUE

CHAIN SAW CS-350WES

200607 No.62-049(630741)630326,630649