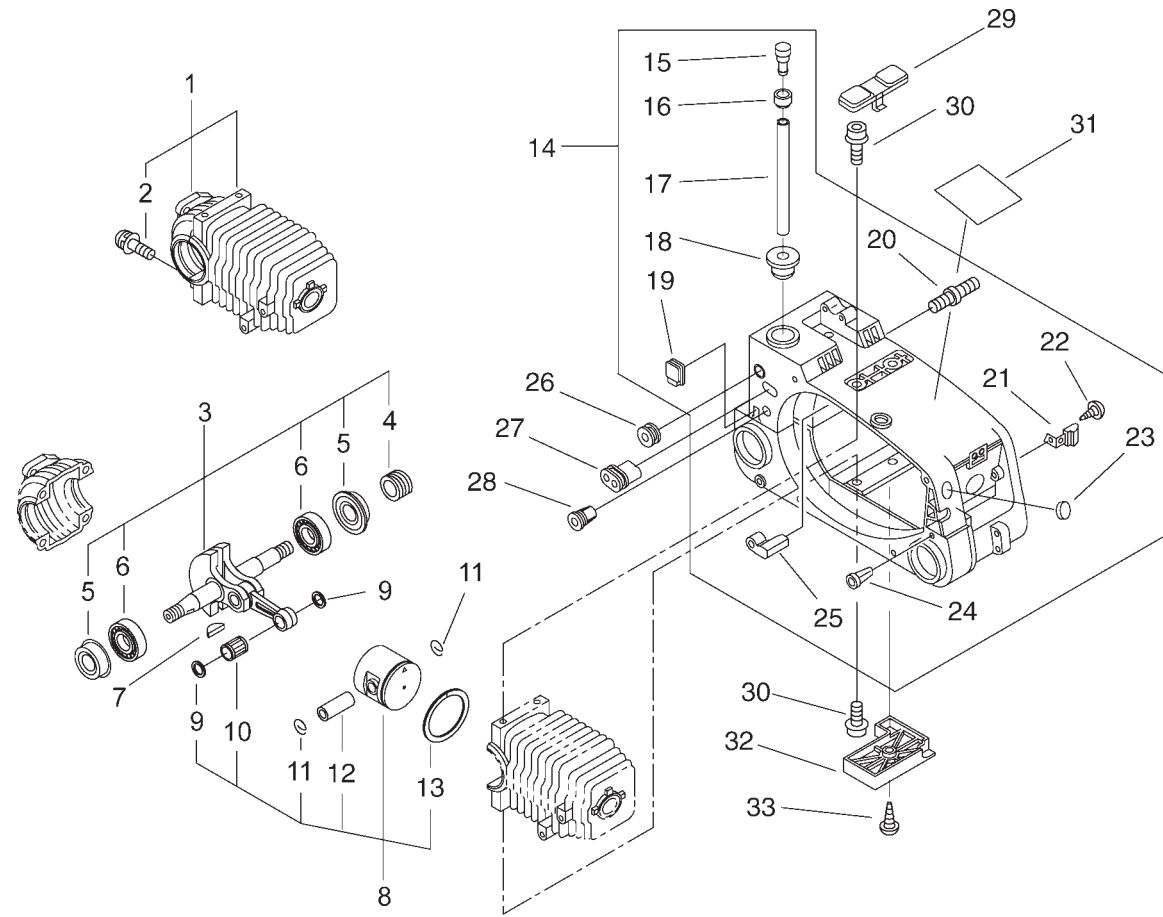
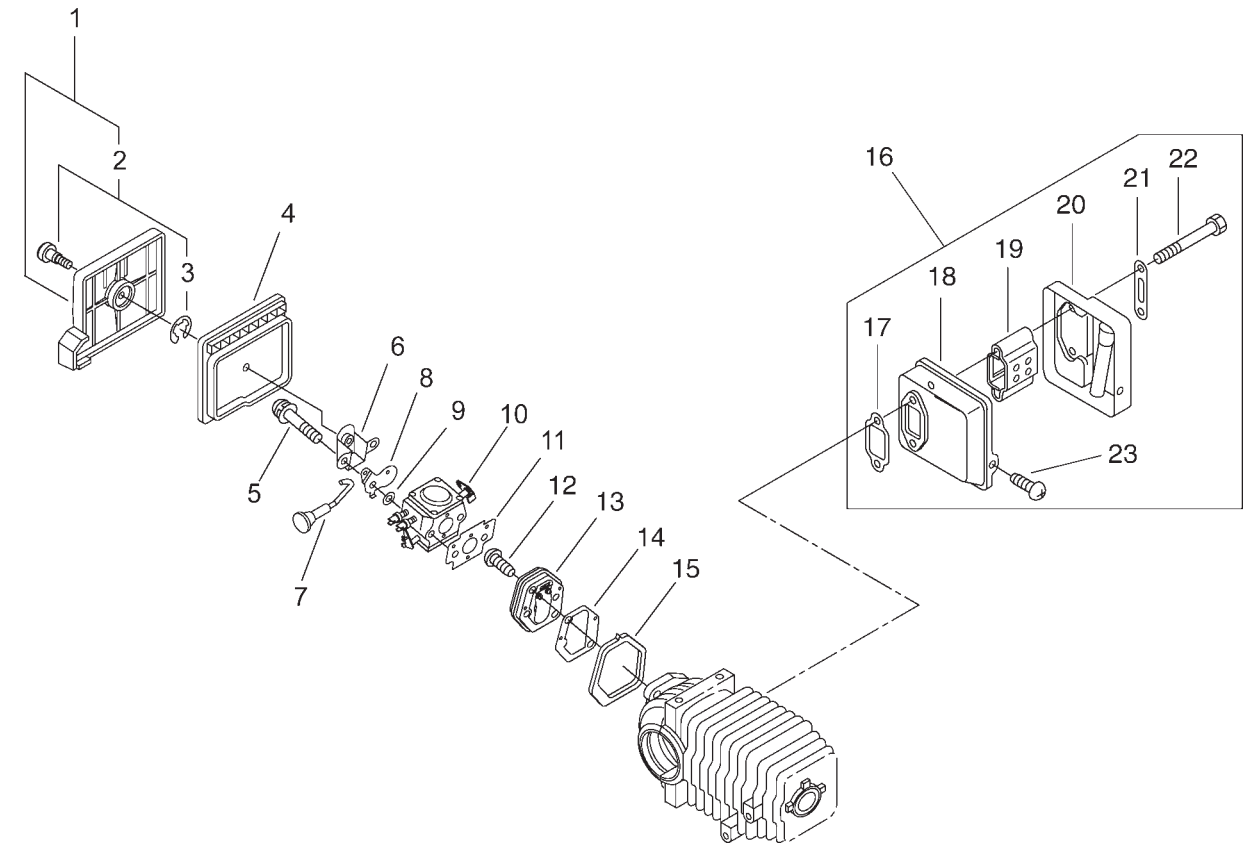


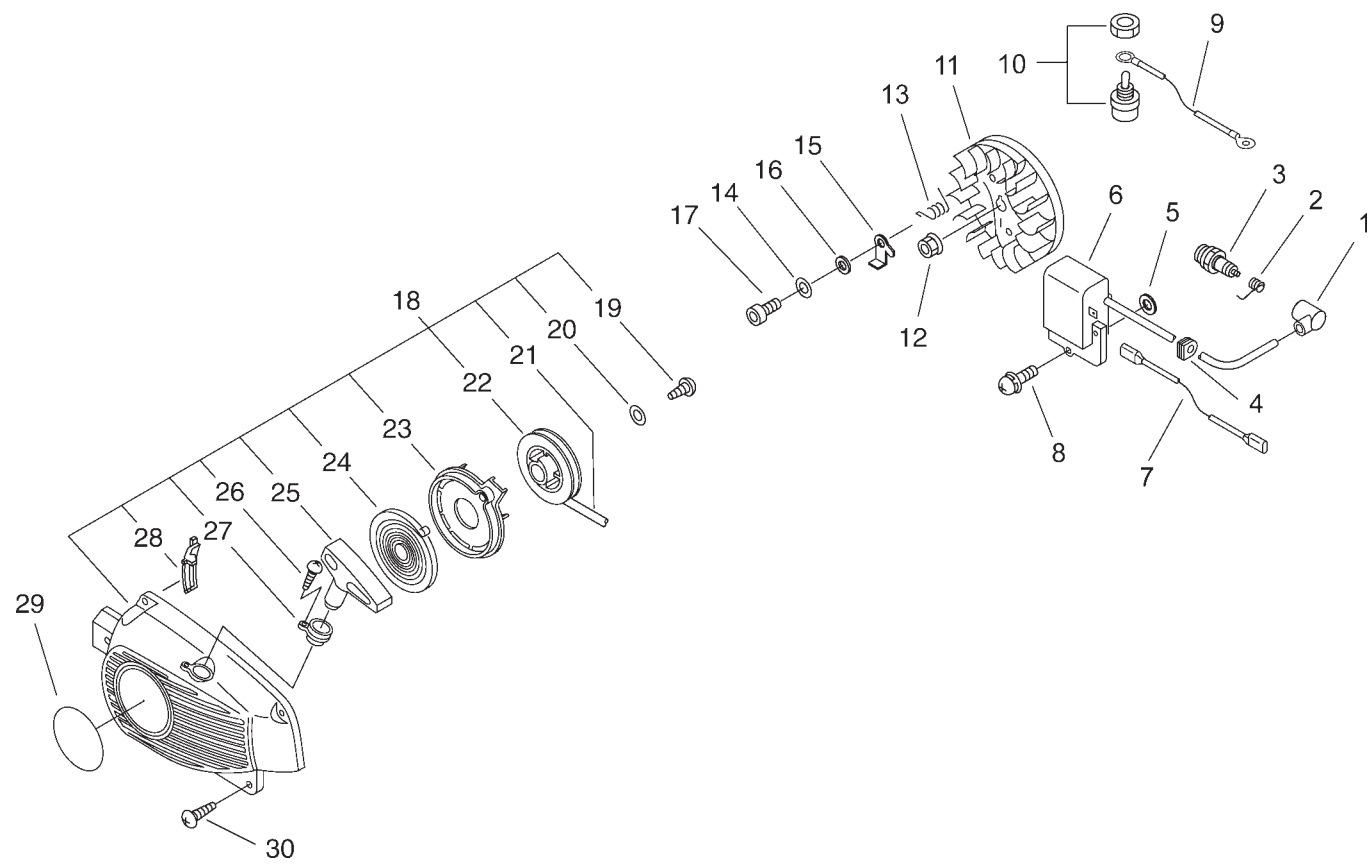
KEY	LV	PART NUMBER	Q'TY	DESCRIPTION	REMARKS
1		100202-39131	1	CRANKCASE SET	
2	+	900238-05025	4	SCREW 5*25	
3		P021-007232	1	CRANKSHAFT ASY	
4	+	437063-38330	1	GEAR, WORM	
5	+	94035-36201	2	BEARING BALL	
6	+	V505-000010	2	SEAL,OIL 12	
7		100142-39130	1	KEY, WOODRUFF	
8		100000-39130	1	PISTON KIT	
9	+	100014-11520	2	SPACER, PISTON PIN	
10	+	175012-03930	1	BEARING, NEEDLE	
11	+	100015-04630	2	CIRCLIP, PISTON PIN	
12	+	100013-15330	1	PIN, PISTON	
13	+	100011-46430	1	RING, PISTON	
14		104000-39133	1	COVER KIT, ENGINE	
15	+	131300-56430	1	VALVE, CHECK	
16	+	131328-39130	1	COVER, VENT	
17	+	132010-04920	1	PIPE, FUEL	
18	+	132115-39130	1	GROMMET, FUEL	
19	+	104034-39130	1	PLUG	
20	+	433011-03931	2	STUD, GUIDE BAR	
21	+	104215-39131	1	LATCH	
22	+	900253-04010	1	SCREW 4*10	
23	+	163911-39130	1	PLUG	
24	+	436114-13930	1	VALVE, CHECK	



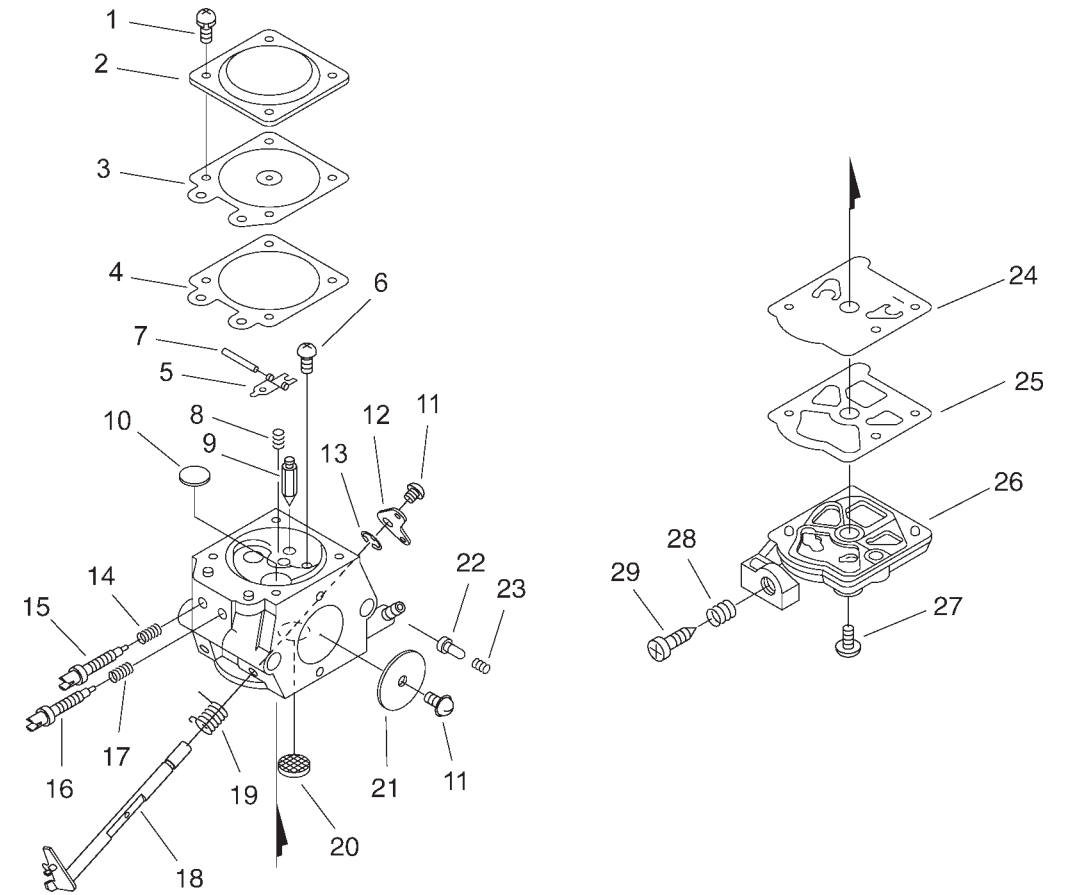
KEY	LV	PART NUMBER	Q'TY	DESCRIPTION	REMARKS
25	+	130336-39530	1	PLUG	
26		178810-03330	1	GROMMET	
27		129010-39131	1	GROMMET, NEEDLE	
28		129023-39131	1	GROMMET, IDLE	
29		104029-39130	1	PLUG, UPPER	
30		900106-05016	4	BOLT, H.S. 5*16	
31		890345-39230	1	LABEL, CAUTION	
32		104044-39130	1	PLUG, LOWER	
33		900256-04016	1	SCREW 4*16	



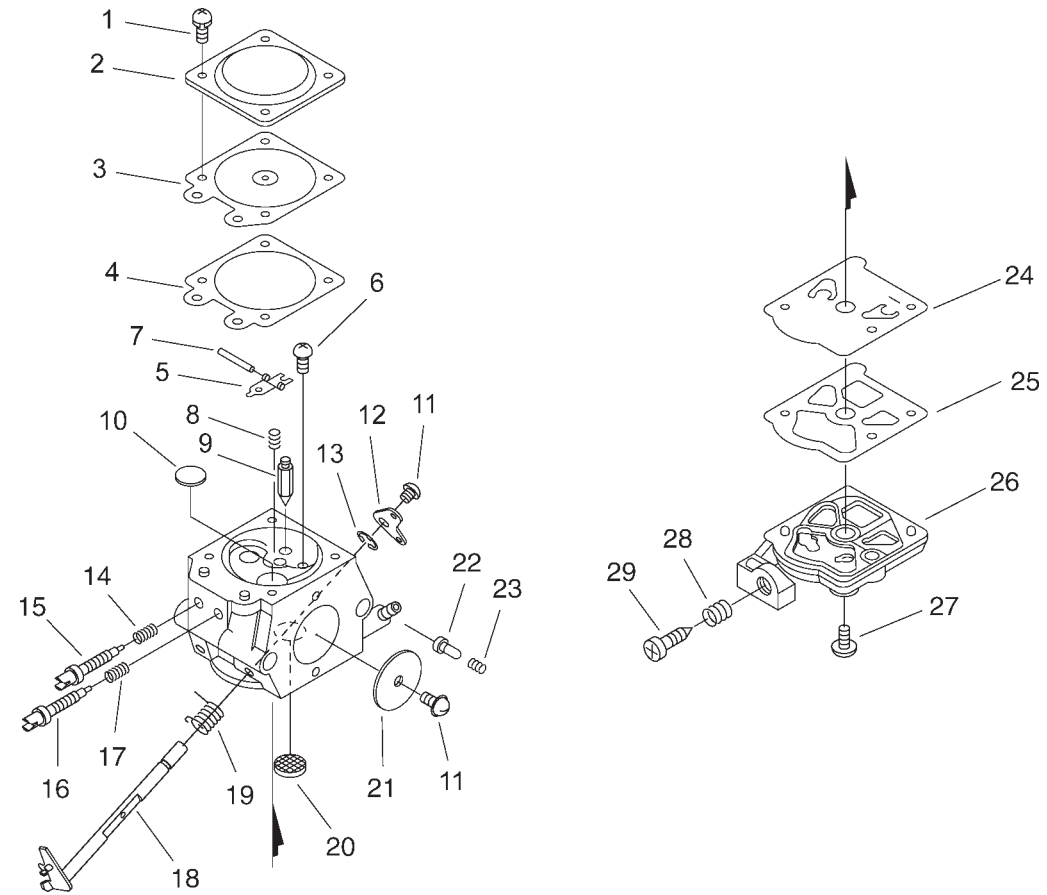
KEY	LV	PART NUMBER	Q'TY	DESCRIPTION	REMARKS
1		130302-39136	1	COVER ASY, A.CLEANER	
2	+	130406-13933	1	BOLT, THUMB	
3	++	900700-00004	1	E-RING 4	
4		130310-39132	1	FILTER, AIR	
5		900238-05045	2	SCREW 5*45	
6		129011-39130	1	PLATE, PREVENT	
7		178510-39130	1	ROD, CHOKE	
8		178515-39130	1	SHUTTER, CHOKE	
9		178516-03930	2	WASHER	
10		123000-60131	1	CARBURETOR WT-385A	
11		130016-39130	1	GASKET, INTAKE	
12		900250-05018	2	SCREW 5*18	
13		130000-39131	1	INSULATOR KIT	
14		130010-39130	1	GASKET, INTAKE	
15		130012-39131	1	SEAL	
16		145600-14931	1	MUFFLER ASSY	
17	+	145510-13931	1	GASKET, MUFFLER	
18	+	145858-13931	1	MUFFLER	
19	+	145859-13930	1	SILENCER	
20	+	145606-14931	1	LID, MUFFLER	
21	+	145642-13930	1	WASHER, MUFFLER	
22	+	101023-13930	2	BOLT, MUFFLER	
23	+	900250-04008	1	SCREW 4*8	



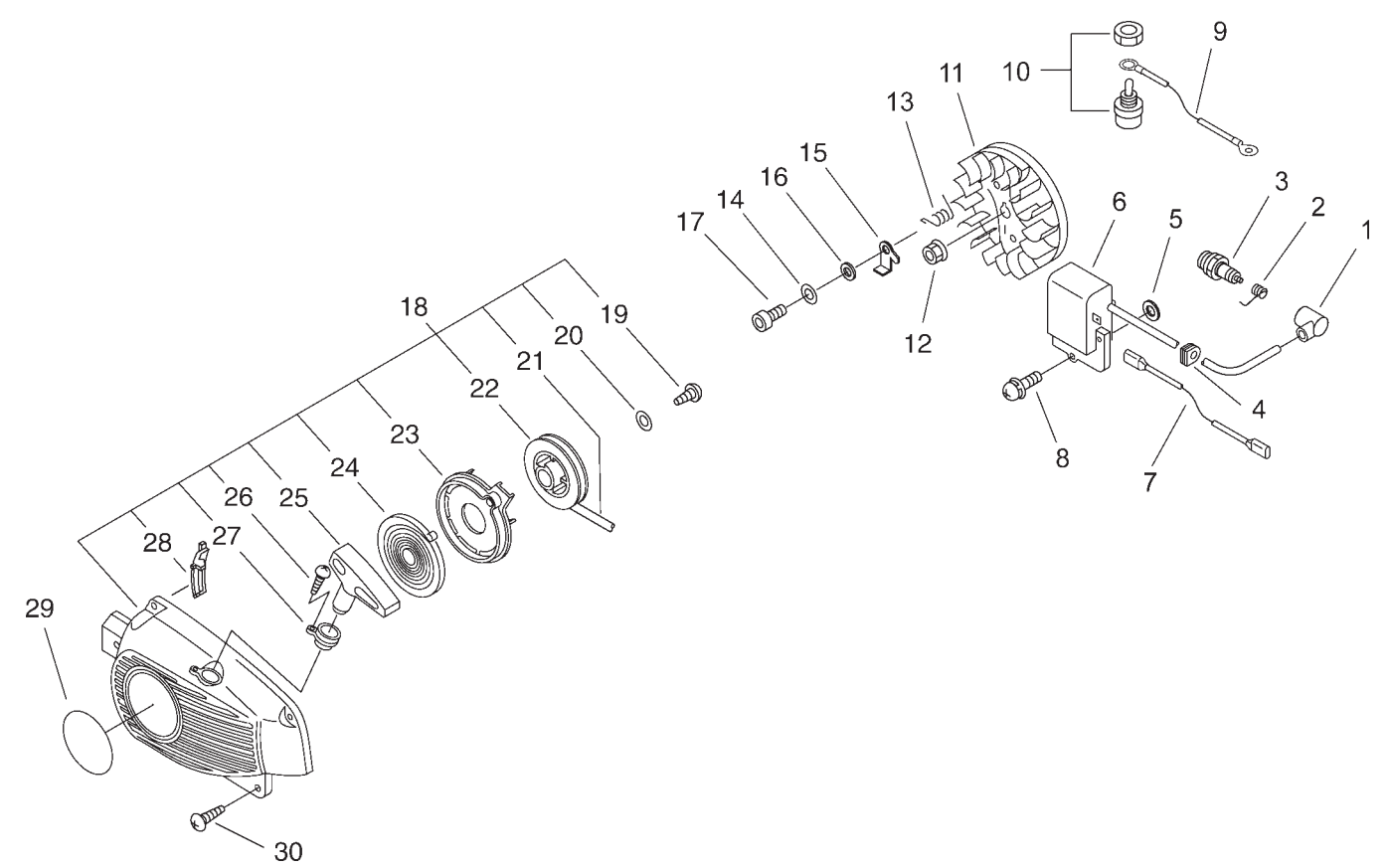
KEY	LV	PART NUMBER	Q'TY	DESCRIPTION	REMARKS
1		159012-01620	1	CAP, SPARK PLUG	
2		159011-03432	1	COIL, SPARK PLUG	
3		159010-10630	1	PLUG, SPARK (BPM-7A)	
4		156110-04920	1	BUSHING	
5		150117-16430	2	SPACER	
6		156626-39430	1	COIL, IGNITION	
7		162010-39431	1	LEAD	
8		900238-05022	2	SCREW 5*22	
9		162010-39131	1	LEAD, GROUD	
10		163400-19830	1	SWITCH, IGNITION	
11		156800-39432	1	ROTOR, MAGNETO	
12		900515-00008	1	NUT, FLANGE 8	
13		177234-35430	2	SPRING, RETURN	
14		900603-00005	2	WASHER 5	
15		A514-000000	2	PAWL	
16		177247-04630	2	SPACER, RATCHET	
17		V203-000090	2	BOLT,5	
18		177200-39432	1	STARTER ASY	
19	+	900253-04014	1	SCREW 4*14	
20	+	177214-04630	1	WASHER	
21	+	177226-06530	1	ROPE, STARTER	
22	+	177215-35632	1	REEL,ROPE	
23	+	177221-35631	1	PLATE, STARTER	
24	+	177220-35430	1	SPRING, REWIND	



KEY	LV	PART NUMBER	Q'TY	DESCRIPTION	REMARKS
24	+	123112-15030	1	DIAPHRAGM, FUEL PUMP	
25	+	123125-39630	1	GASKET,FUEL PUMP	
26	+	123124-09320	1	COVER, FUEL PUMP	
27	+	123110-03930	1	SCREW, PUMP COVER	
28	+	123133-11130	1	SPRING, IDLE ADJUST	
29	+	123134-19730	1	SCREW, IDLE ADJUST	



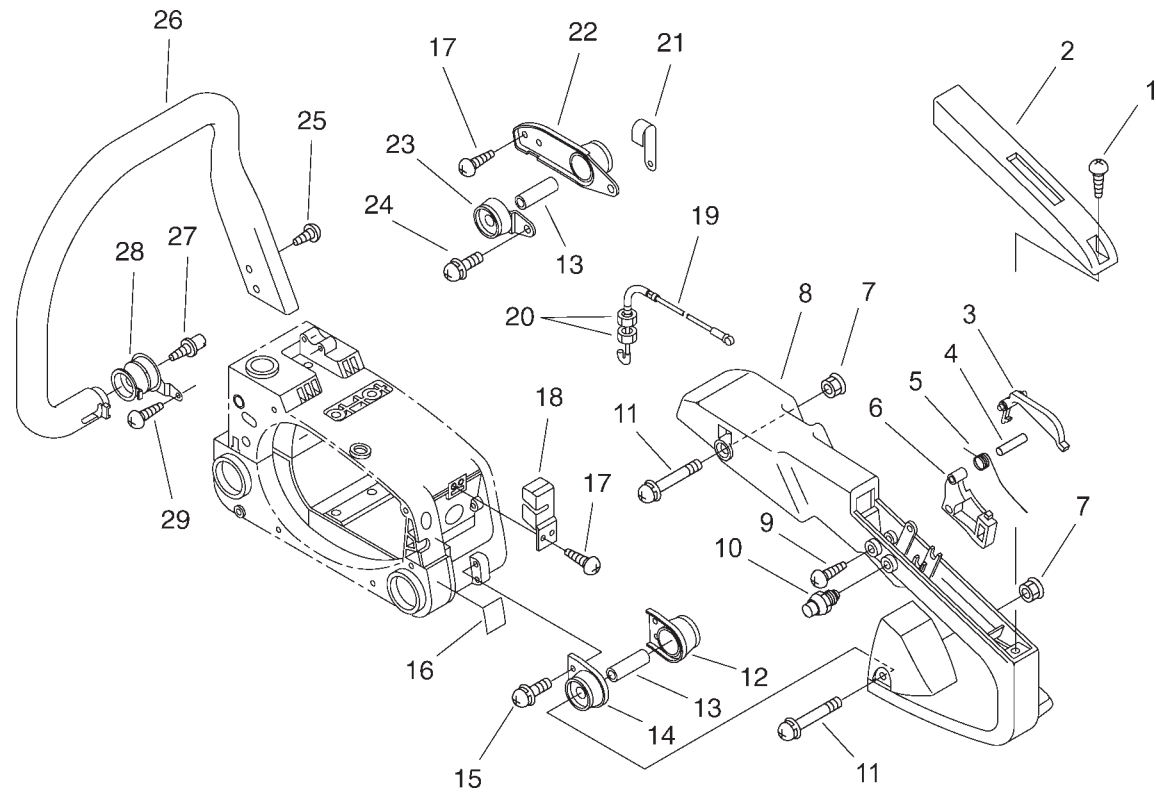
KEY	LV	PART NUMBER	Q'TY	DESCRIPTION	REMARKS
		123000-60131	1	CARBURETOR WT-385A	
1	+	123130-02960	4	SCREW	
2	+	123142-03930	1	COVER, M. DIAPHRAGM	
3	+	123141-03930	1	DIAPHRAGM, METERING	
4	+	123140-27230	1	GASKET, M. DIAPHRAGM	
5	+	123123-03930	1	LEVER, METERING	
6	+	123139-03930	1	SCREW, M. LEVER PIN	
7	+	123138-03930	1	PIN, METERING LEVER	
8	+	123122-03930	1	SPRING, METER. LEVER	
9	+	123137-04260	1	VALVE, INLET NEEDLE	
10	+	123146-10631	1	PLUG, WELCH	
11	+	123114-38830	2	SCREW	
12	+	123150-39230	1	LEVER, THROTTLE	
13	+	123127-15030	1	RING	
14	+	123119-22130	1	SPRING, NEEDLE	
15	+	123120-39530	1	NEEDLE, HIGH SPEED	
16	+	123118-24430	1	NEEDLE, IDLE	
17	+	123121-22130	1	SPRING, NEEDLE	
18	+	123117-39630	1	SHAFT, THROTTLE	
19	+	123113-47530	1	SPRING, THR. RTN.	
20	+	123126-10631	1	SCREEN, INLET	
21	+	123116-05230	1	VALVE, THROTTLE	
22	+	123185-39130	1	PISTON ASSY	
23	+	123186-34330	1	SPRING, START VALVE	



KEY	LV	PART NUMBER	Q'TY	DESCRIPTION	REMARKS
25	+	177228-35430	1	GRIP, STARTER (BL)	
26	+	900296-03014	1	SCREW 3*14	
27	+	177227-39131	1	GUIDE, ROPE BL	
28	+	177256-39130	1	PLUG	
29		890118-49330	1	LABEL, ECHO	
30		900256-04016	4	SCREW 4*16	

CS-3050

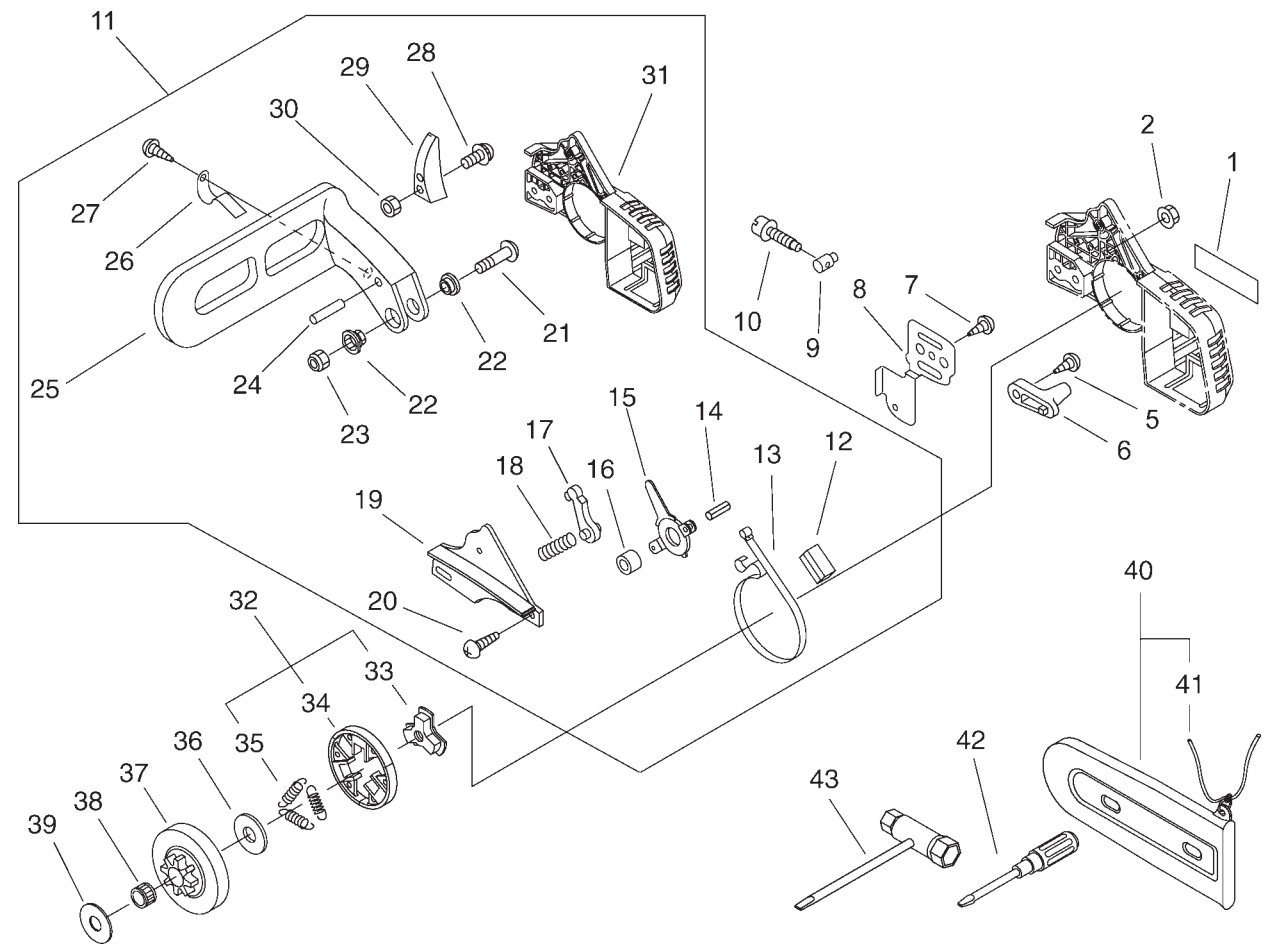
4 Handle



KEY	LV	PART NUMBER	Q'TY	DESCRIPTION	REMARKS
1		900256-04022	1	SCREW 4*22	
2		351155-39430	1	COVER, HANDLE	
3		178090-39430	1	LOCKOUT, THROTTLE	
4		900330-40200	1	ROLLER 4*19.8	
5		178091-39430	1	SPRING, THR. LOCKOUT	
6		178010-39430	1	CONTROL, THROTTLE	
7		900516-00005	2	NUT, FRANGE 5	
8		351110-39431	1	HANDLE, REAR	
9		900253-04025	1	SCREW 4*25	
10		178302-37930	1	LATCH, THROTTLE	
11		900238-05057	2	SCREW 5*57	
12		351621-39430	1	CUSHION (LOWER)	
13		100924-39430	2	COLLAR, 5	
14		351624-39430	1	CUSHION (LOWER)	
15		900238-04014	2	SCREW 4*14	
16		890157-39130	1	LABEL, SWITCH	
17		900253-04014	4	SCREW 4*14	
18		100921-39430	1	CUSHION	
19		178001-39430	1	WIRE, THROTTLE	
20		900502-00006	2	NUT 6 (3N)	
21		159113-18430	1	CLIP	
22		100910-39430	1	CUSHION (UPPER)	
23		100917-39431	1	CUSHION (UPPER)	
24		900238-04010	1	SCREW 4*10	

CS-3050

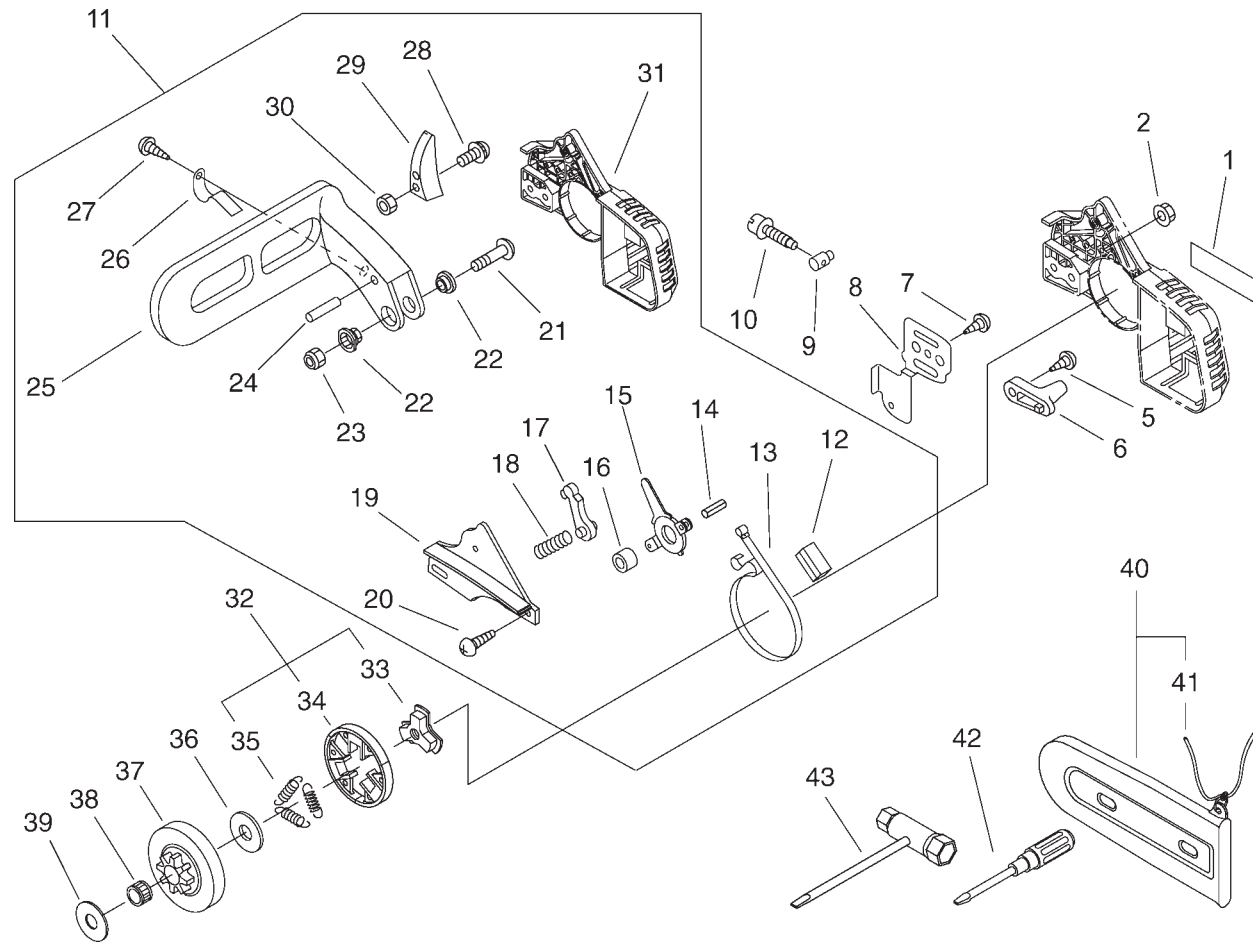
6 Clutch, Sprocket



KEY	LV	PART NUMBER	Q'TY	DESCRIPTION	REMARKS
27	+	900253-04010	1	SCREW 4*10	
28	+	900238-04022	2	SCREW 4*22	
29	+	433171-39130	1	WEIGHT, BRAKE	
30	+	900500-00004	2	NUT 4	
31	+	433005-39133	1	GUARD, SPROCKET	
32		A056-000070	1	CLUTCH	
33	+	A552-000020	1	HUB, CLUTCH	
34	+	P021-005810	1	CLUTCH SHOE SET	
35	+	V451-000470	3	SPRING, TENSION	
36		A551-000010	1	PLATE, CLUTCH	
37		175005-39132	1	DRUM, CLUTCH	
38		175012-35630	1	BEARING, NEEDLE	
39		175014-39131	1	WASHER, CLUTCH	
40		P021-006951	1	SCABBARD, CHAIN	
41	+	898568-14530	1	ROPE	
42		895410-03930	1	WRENCH, W/S. DRIVER	
43		895812-03930	1	DRIVER, SCREW 50	

CS-3050

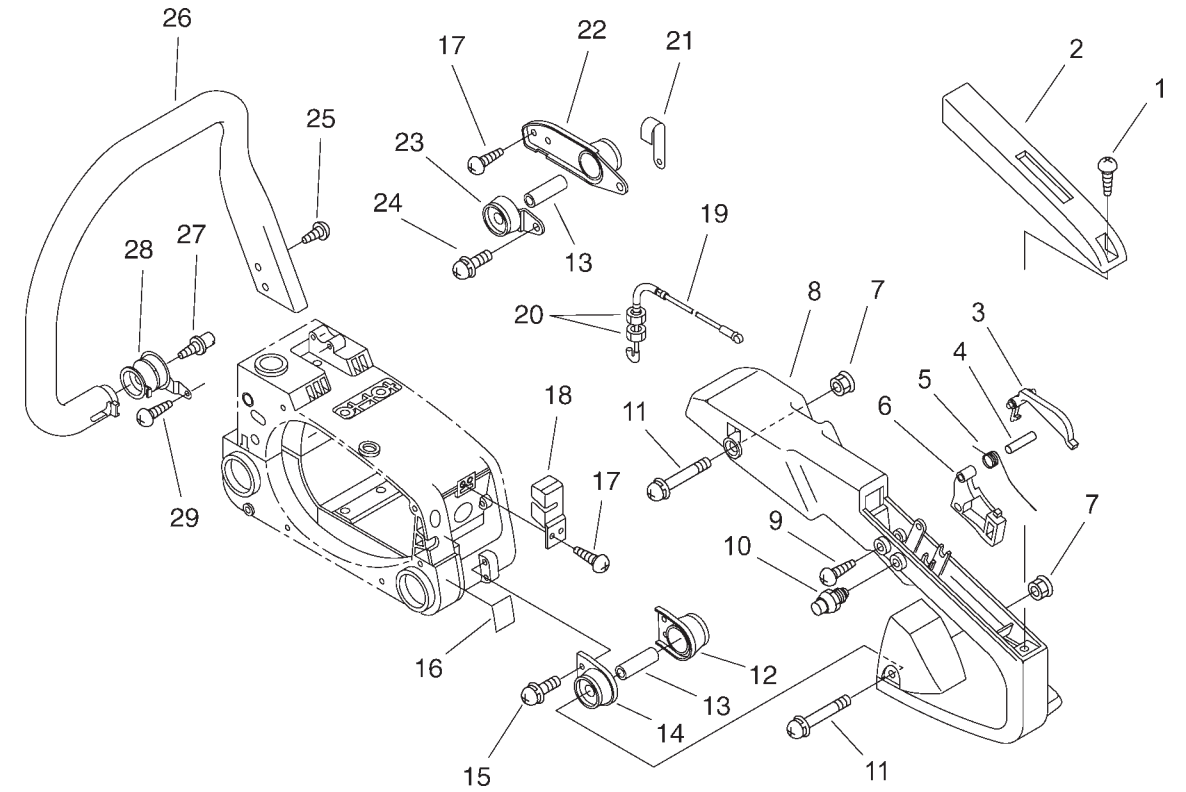
6 Clutch, Sprocket



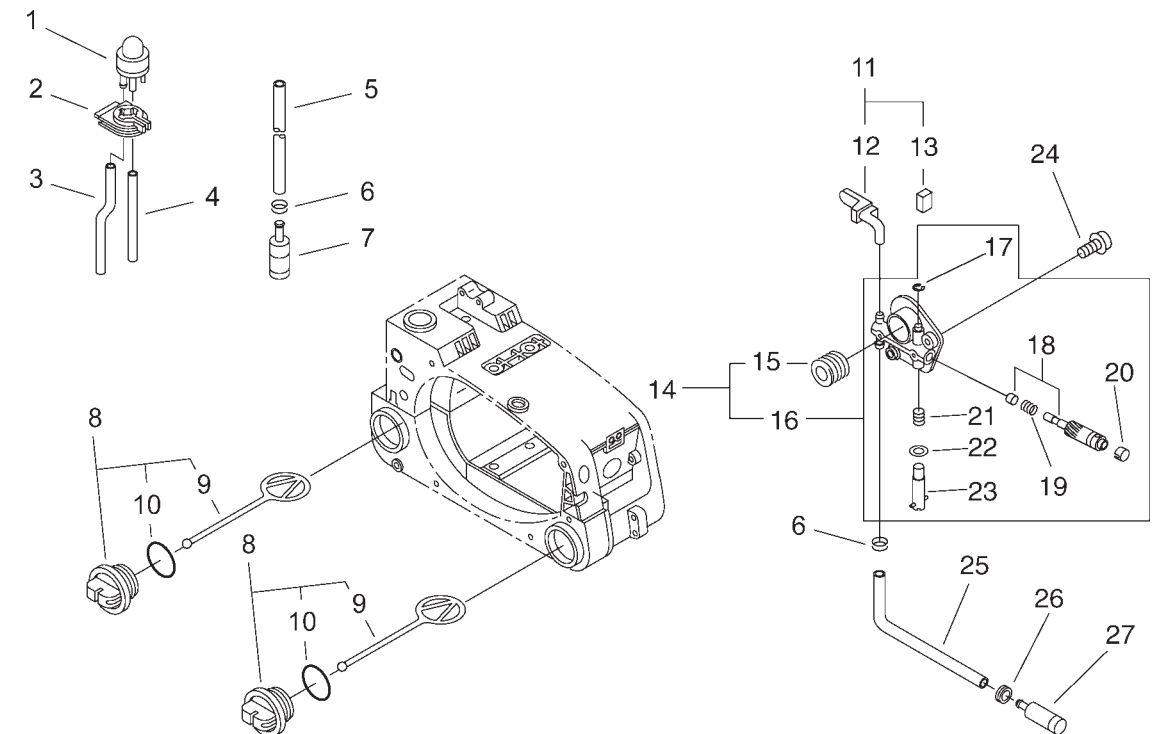
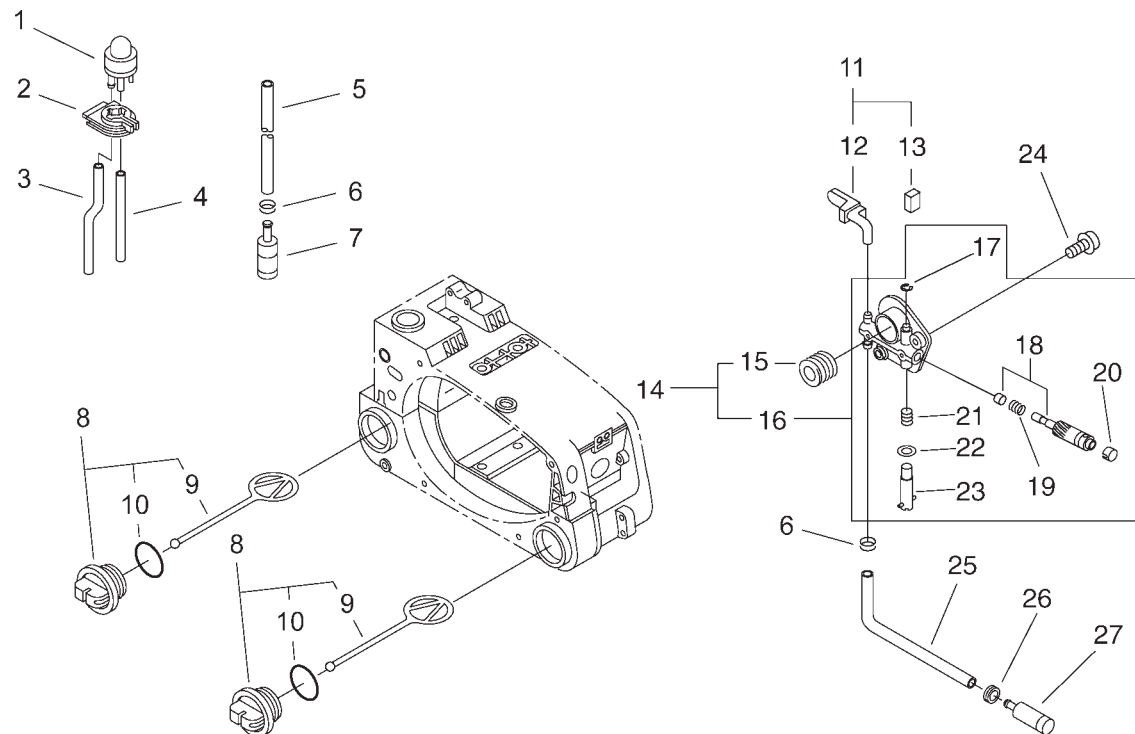
KEY	LV	PART NUMBER	Q'TY	DESCRIPTION	REMARKS
1		890151-39230	1	LABEL, MODEL	
2		433019-03933	2	NUT, FLANGE 6	
5		900253-05020	1	SCREW 5*20	
6		433026-35430	1	CATCHER, CHAIN	
7		900253-04010	1	SCREW 4*10	
8		433012-39131	1	PLATE, GUIDE	
9		433014-03931	1	TENSIONER	
10		433016-39131	1	BOLT	
11		433100-39531	1	BRAKE ASY, CHAIN	
12	+	433312-32630	1	COVER, SEAL	
13	+	433123-39130	1	BAND, BRAKE	
14	+	900330-40088	1	ROLLER 4*8.8	
15	+	433208-35431	1	LEVER, BRAKE	
16	+	433116-35430	1	SPACER 8	
17	+	433209-35430	1	STOPPER, BRAKE	
18	+	433122-35430	1	SPRING, BRAKE	
19	+	433310-39130	1	COVER, BRAKE	
20	+	900253-04012	3	SCREW	
21	+	91318-05032	1	SCREW	
22	+	433167-39130	2	SPACER	
23	+	900562-50005	1	LOCKNUT 5	
24	+	900330-40238	1	ROLLER 4*23.8	
25	+	433111-39531	1	LEVER, BRAKE	
26	+	433114-39130	1	SPRING	

CS-3050

4 Handle



KEY	LV	PART NUMBER	Q'TY	DESCRIPTION	REMARKS
25		900253-05020	2	SCREW 5*20	
26		351610-39430	1	HANDLE, FRONT	
27		100915-33930	1	SCREW	
28		100910-35630	1	CUSHION	
29		900256-04016	1	SCREW 4*16	



KEY	LV	PART NUMBER	Q'TY	DESCRIPTION	REMARKS
1		123181-39130	1	PUMP, PRIMER	
2		132758-39131	1	BRACKET, PUMP	
3		132716-39130	1	PIPE 2*4*42	
4		V471-001200	1	PIPE	
5		132012-39130	1	PIPE	
6		132013-26630	2	CLIP	
7		131205-14930	1	STRAINER,FUEL	
8		P021-007630	1	CAP ASY,TANK	
9	+	A365-000050	2	CONNECTOR,CAP	
10	+	900721-00025	2	O-RING 25	
11		437201-39131	1	PIPE KIT, OIL	
12	+	437211-39133	1	PIPE	
13	+	437244-39130	1	PAD, FORM	
14		437000-39130	1	AUTO-OILER ASSY	
15	+	437063-38330	1	GEAR, WORM	
16	+	437002-39130	1	AUTO-OILER ASSY	
17	++	123127-15030	1	RING	
18	++	437024-37330	1	PLUNGER	
19	++	437019-38330	1	SPRING	
20	++	437062-37330	1	CAP, OIL PUMP	
21	++	437015-37330	1	SPRING	
22	++	437029-37330	1	WASHER	
23	++	437016-39130	1	NEEDLE, ADJUST	
24		900235-05012	2	SCREW 5*12	

KEY	LV	PART NUMBER	Q'TY	DESCRIPTION	REMARKS
25		V471-000110	1	PIPE	
26		132115-01461	1	GROMMET, FUEL	
27		436205-02832	1	STRAINER, OIL	

 **KIORITZ CORPORATION**

7-2 SUEHIROCHO 1-CHOME, OHME, TOKYO 198-8711, JAPAN
PHONE: 81-428-32-6118. FAX: 81-428-32-6145.





PARTS CATALOGUE

CHAIN SAW CS-3050

200510 No.62-168(620827)