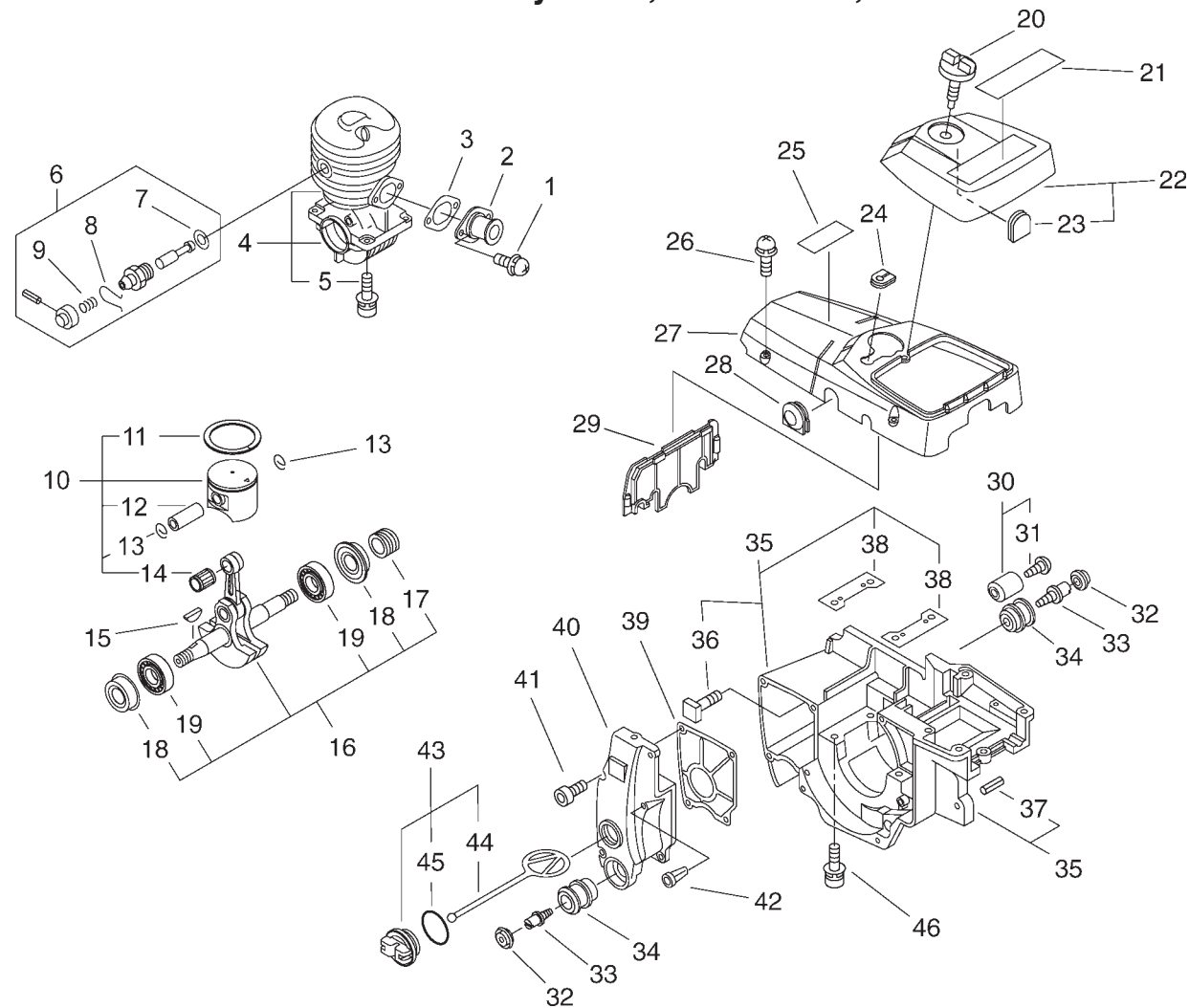
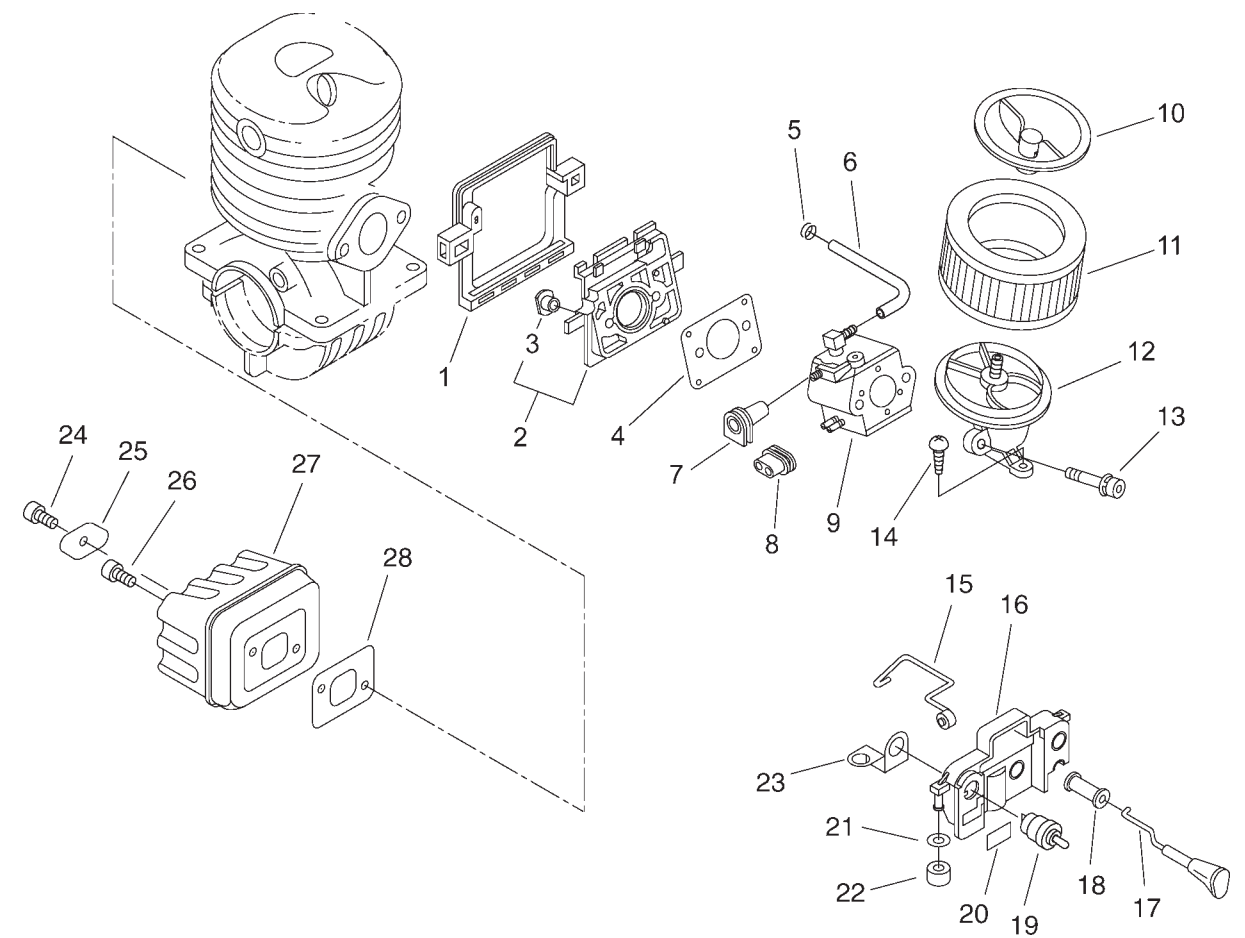


KEY	LV	PART NUMBER	Q'TY	DESCRIPTION	REMARKS
1		900238-05012	2	SCREW 5*12	
2		130510-39932	1	ADAPTER, INTAKE	
3		130016-39930	1	GASKET, INTAKE	
4		P021-009860	1	CRANKCASE SET	
5	+	900162-05022	4	BOLT, H.S. 5*22	
6		101100-37530	1	RELEASE ASSY, COMP.	
7	+	159025-37530	1	GASKET	
8	+	101119-37530	1	CLIP	
9	+	101113-37530	1	SPRING	
10		P021-003570	1	PISTON KIT	
11	+	100011-37330	2	RING, PISTON	
12	+	V607-000000	1	PIN,ENG 9	
13	+	100015-03931	2	CIRCLIP, PISTON PIN	
14	+	100012-35430	1	BEARING, NEEDLE	
15		100142-39130	1	KEY, WOODRUFF	
16		P021-009490	1	CRANKSHAFT ASY	
17	+	437063-38330	1	GEAR, WORM	
18	+	V505-000010	2	SEAL,OIL 12	
19	+	900888-36201	2	BEARING, BALL 6201	
20		A235-000000	1	KNOB,CLEANER LID	
21		X503-007050	1	LABEL,MODEL	
22		P021-007151	1	LID,CLEANER	
23	+	130338-32430	1	PLUG, COVER	
24		V135-000010	1	GROMMET,HT CORD	



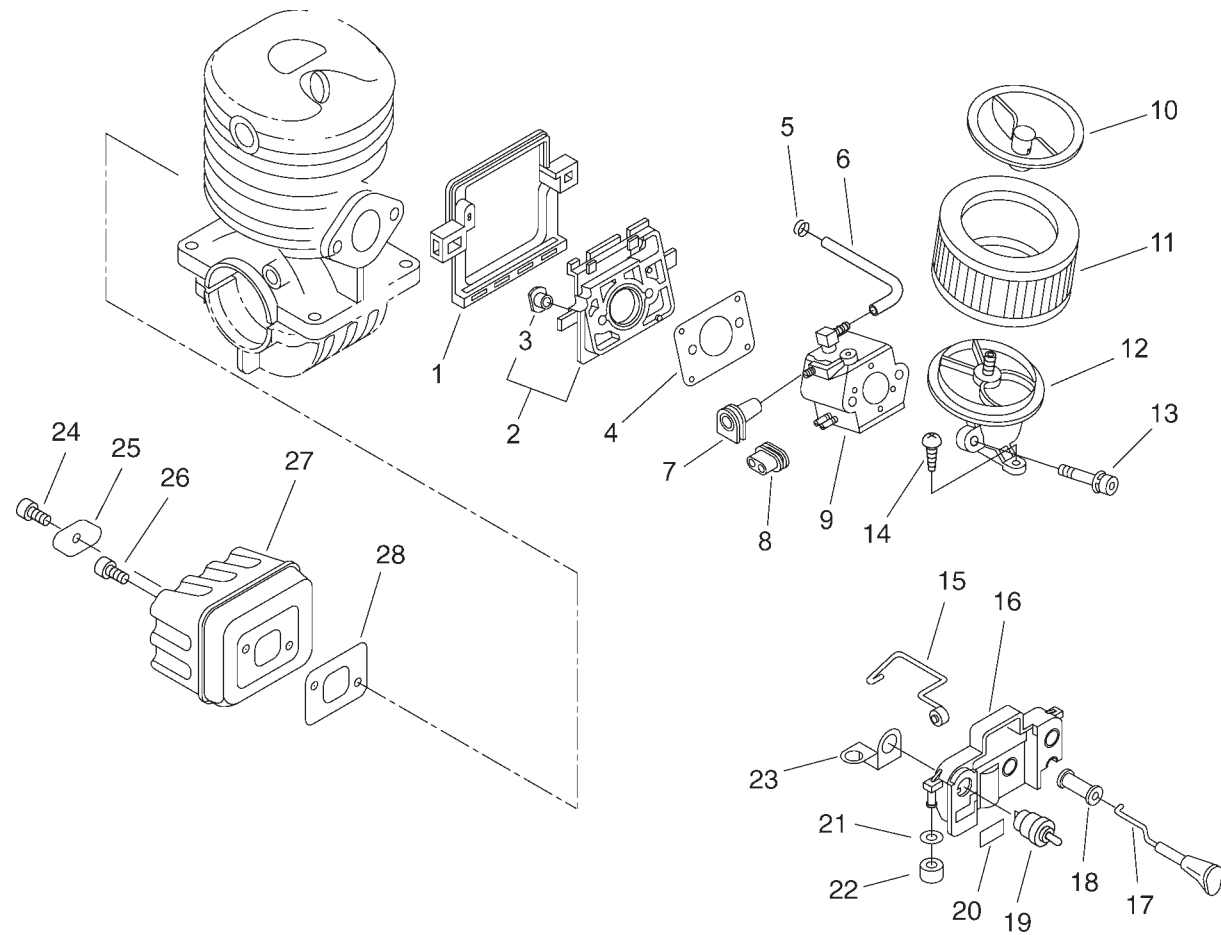
KEY	LV	PART NUMBER	Q'TY	DESCRIPTION	REMARKS
25		890345-39230	1	LABEL,CAUTION	
26		900238-05025	3	SCREW 5*25	
27		A160-000004	1	COVER,CYLINDER	
28		101578-39930	1	PLUG	
29		A209-000000	1	PLATE,INSULATOR	
30		433000-19831	1	CATCHER KIT, CHAIN	
31	+	900220-05018	1	SCREW 5*18	
32		100918-14330	2	CAP, CUSHION	
33		100915-33930	2	SCREW	
34		100917-14530	2	CUSHION	
35		P021-010090	1	COVER ENGINE KIT	
36	+	433011-19830	2	STUD, GUIDE BAR	
37	+	900345-50010	1	PIN, SPRING 5*10SUS	
38	+	V150-001650	2	PLATE,EYE	
39		436019-39930	1	GASKET, OIL TANK	
40		436010-39930	1	TANK, OIL	
41		900105-04016	4	BOLT, H.S. 4*16	
42		436114-13930	1	VALVE, CHECK	
43		436001-39232	1	CAP, OIL	
44	+	A365-000050	1	CONNECTOR,CAP	
45	+	900721-00025	1	O-RING 25	
46		V203-000160	4	BOLT,5	



KEY	LV	PART NUMBER	Q'TY	DESCRIPTION	REMARKS
1		130366-39930	1	CUSHION	
2		130007-39931	1	INSULATOR	
3	+	130020-33330	2	NUT	
4		130010-38330	1	GASKET, INTAKE	
5		132013-09820	1	CLIP	
6		130110-54430	1	PIPE, IMPULSE	
7		129023-39930	1	GROMMET, IDLE	
8		129010-33330	1	GROMMET	
9		A021-000080	1	CARBURETOR, DIAPHRAGM	
10		130405-38331	1	BRACKET, AIR CLEANER	
11		130300-39730	1	CLEANER ASM., AIR	
12		130301-39932	1	ADAPTER, INTAKE	
13		900162-05050	2	BOLT, H.S. 5*50	
14		900105-05016	1	BOLT, H.S. 5*16	
15		C454-000012	1	ROD, THROTTLE	
16		163810-59534	1	BRACKET, SWITCH	
17		A241-000100	1	KNOB, CHOKE	
18		178810-14534	1	GROMMET	
19		163400-35430	1	SWITCH, IGNITION	
20		890157-39130	1	LABEL, SWITCH	
21		900600-00005	2	WASHER 5	
22		351134-39930	2	CUSHION	
23		163413-59530	1	PLATE, CONTACT	
24		900105-04006	1	BOLT, H.S. 4*6	

**CS-395SP**

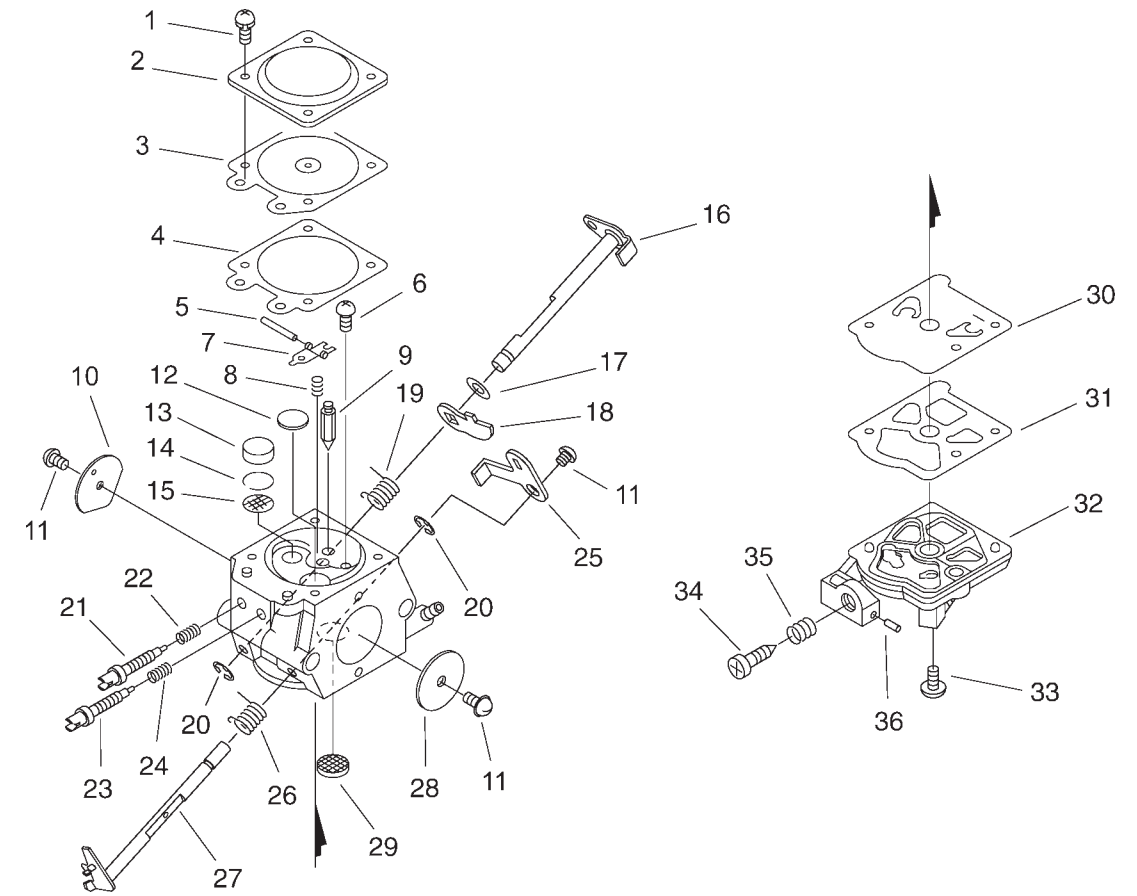
**2 Air Cleaner, Carburetor, Muffler**



KEY	LV	PART NUMBER	Q'TY	DESCRIPTION	REMARKS
25	+	145711-60631	1	STAY, MUFFLER	
26	+	900105-05016	2	BOLT, H.S. 5*16	
27	+	A300-000290	1	MUFFLER, EXHAUST	
28	+	145510-35431	1	GASKET, MUFFLER	

**CS-395SP**

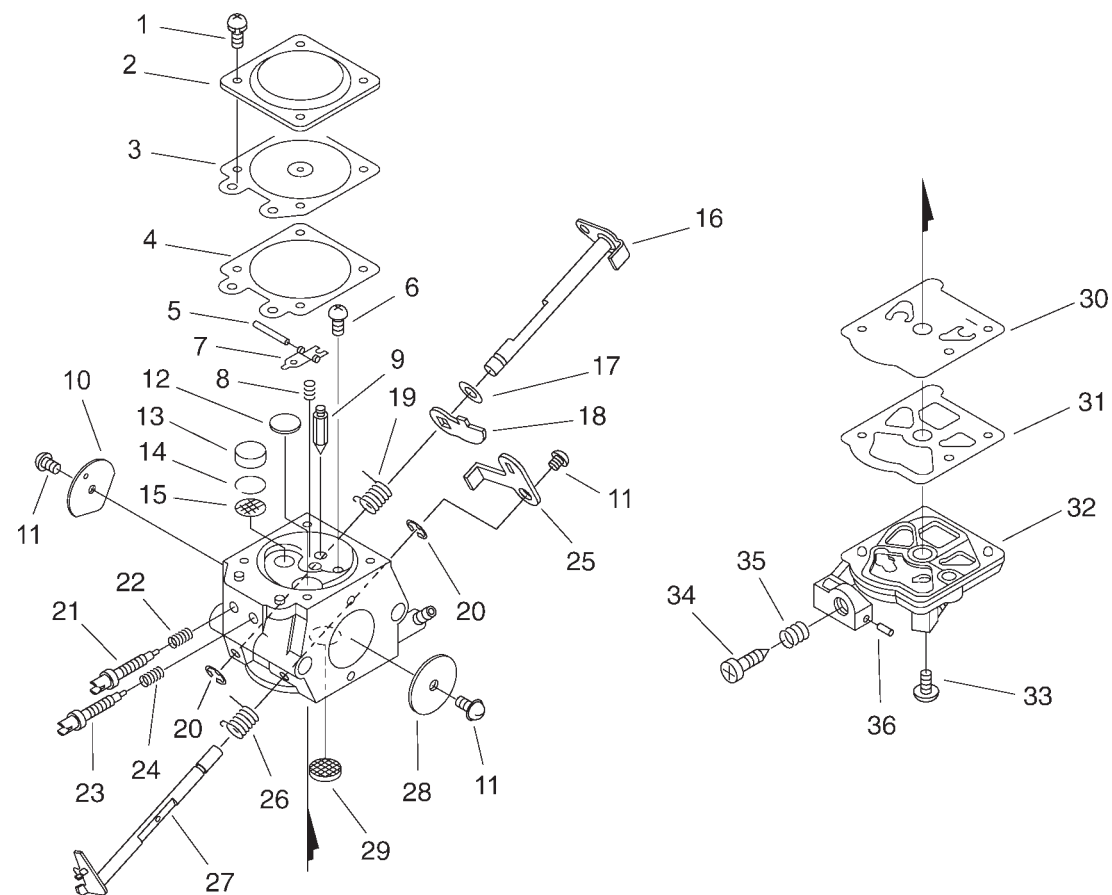
**7 Carburetor**



KEY	LV	PART NUMBER	Q'TY	DESCRIPTION	REMARKS
24	+	123121-22130	1	SPRING, NEEDLE	
25	+	P003-000130	1	THROTTLE, LEVER	
26	+	123113-37530	1	SPRING, THROTTLE RTN	
27	+	P003-000120	1	SHAFT, THROTTLE	
28	+	123116-10530	1	VALVE, THROTTLE	
29	+	123126-10631	1	SCREEN, INLET	
30	+	123112-15030	1	DIAPHRAGM, FUEL PUMP	
31	+	123125-15030	1	GASKET, FUEL PUMP	
32	+	123124-38330	1	COVER, FUEL PUMP	
33	+	123110-03930	1	SCREW, PUMP COVER	
34	+	123134-04260	1	SCREW, IDLE ADJUST	
35	+	123133-04260	1	SPRING, IDLE ADJUST	
36	+	123178-15030	1	PLUG, FRICTION	

**CS-395SP**

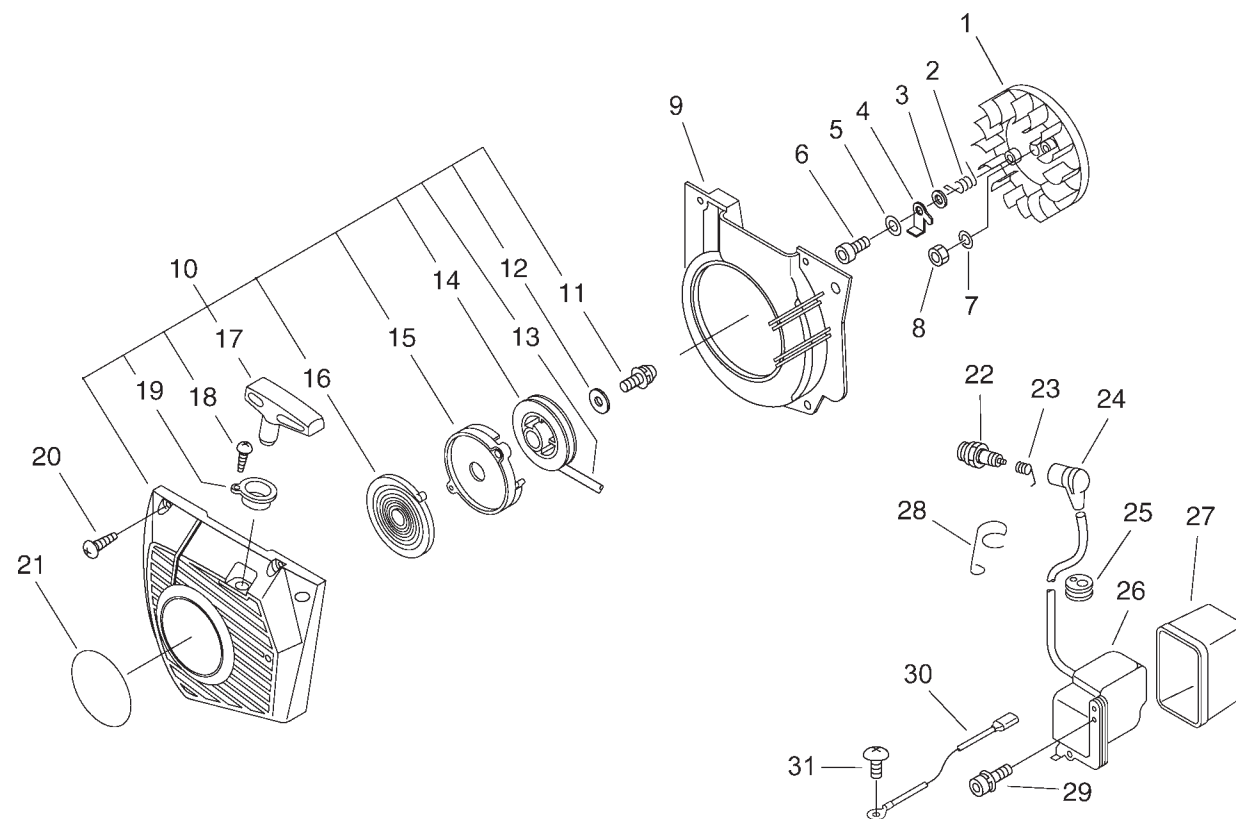
**7 Carburetor**



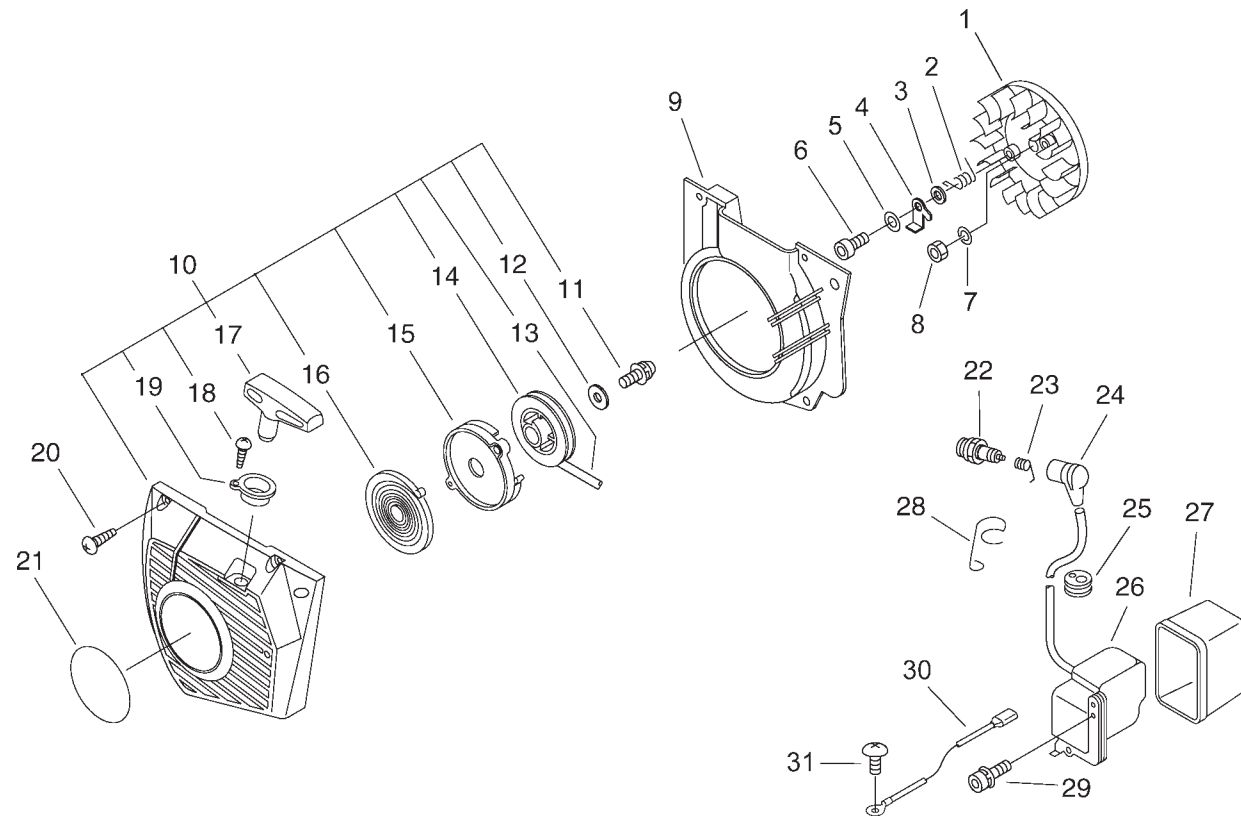
KEY	LV	PART NUMBER	Q'TY	DESCRIPTION	REMARKS
		A021-000080	1	CARBURETOR,DIAPHRAGM	
1	+	123130-02960	4	SCREW	
2	+	123142-03930	1	COVER, M. DIAPHRAGM	
3	+	123141-03930	1	DIAPHRAGM, METERING	
4	+	123140-03930	1	GASKET, M. DIAPHRAGM	
5	+	123138-03930	1	PIN, METERING LEVER	
6	+	123139-03930	1	SCREW, M. LEVER PIN	
7	+	123123-38330	1	LEVER, METERING	
8	+	123122-39330	1	SPRING, METER. LEVER	
9	+	123137-19830	1	VALVE, INLET NEEDLE	
10	+	123132-37330	1	VALVE, CHOKE	
11	+	123114-38830	3	SCREW	
12	+	123146-10631	1	PLUG, WELCH	
13	+	123146-17330	1	PLUG, CUP	
14	+	123169-10630	1	RING, RETAINING	
15	+	123168-10631	1	SCREEN	
16	+	P003-000150	1	CHOKE, SHAFT	
17	+	123149-26030	1	WASHER	
18	+	P003-000160	1	LEVER-FAST IDLE	
19	+	P003-000140	1	SPRING	
20	+	123127-15030	2	RING	
21	+	123120-38330	1	NEEDLE, HIGH SPEED	
22	+	123119-22130	1	SPRING, NEEDLE	
23	+	123118-38330	1	NEEDLE, IDLE	

**CS-395SP**

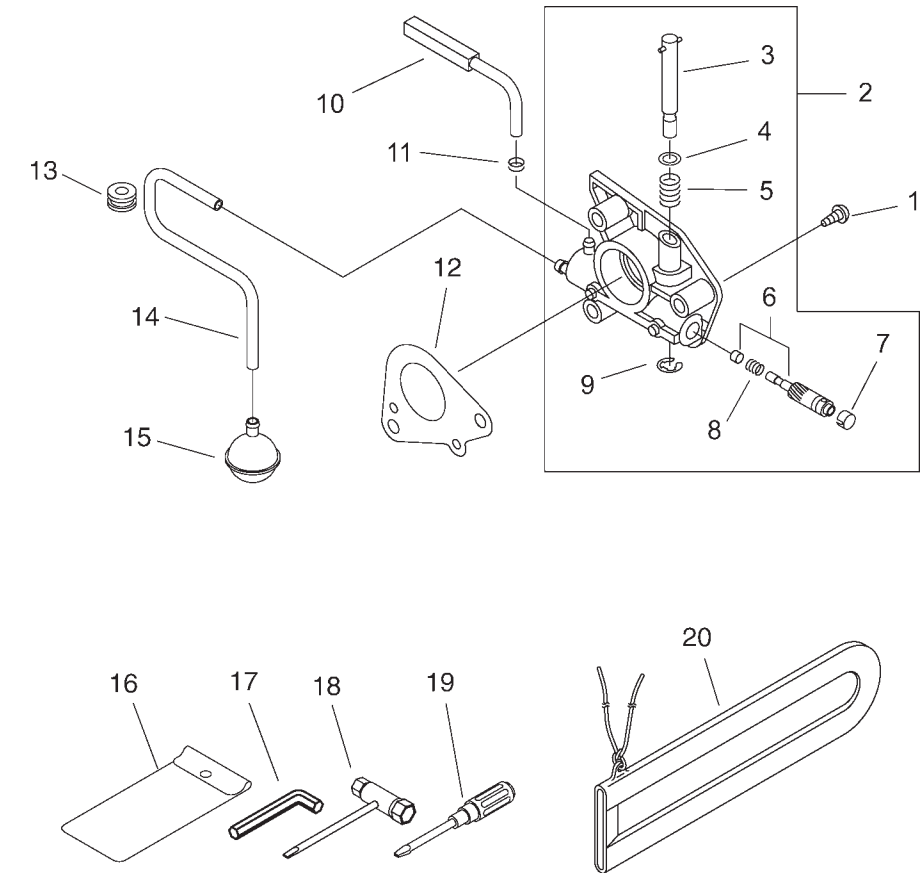
**3 Starter, Magneto**



KEY	LV	PART NUMBER	Q'TY	DESCRIPTION	REMARKS
1		A409-000120	1	ROTOR,MAGNETO	
2		177234-35430	2	SPRING, RETURN	
3		177247-04630	2	SPACER, RATCHET	
4		177218-35430	2	PAWL, STARTER	
5		900603-00005	2	WASHER 5	
6		V203-000090	2	BOLT,5	
7		900605-00008	1	WASHER, SPRING 8	
8		900500-00008	1	NUT 8	
9		101535-39932	1	COVER, FAN	
10		P021-003661	1	STARTER ASY	
11	+	900238-05012	1	SCREW 5*12	
12	+	177214-02830	1	WASHER	
13	+	177226-11130	1	ROPE, STARTER	
14	+	177215-35430	1	DRUM, STARTER	
15	+	177221-35430	1	PLATE, STARTER	
16	+	177220-35430	1	SPRING, REWIND	
17	+	A511-000010	1	GRIP,STARTER	
18	+	900296-03014	1	SCREW 3*14	
19	+	177227-39131	1	GUIDE, ROPE BL	
20		900238-04016	4	SCREW 4*16	
21		890118-49330	1	LABEL, ECHO	
22		159010-19830	1	PLUG, SPARK (BPM-8Y)	
23		A426-000010	1	TERMINAL,SPARKPLUG	
24		A427-000012	1	CAP,SPARK PLUG	



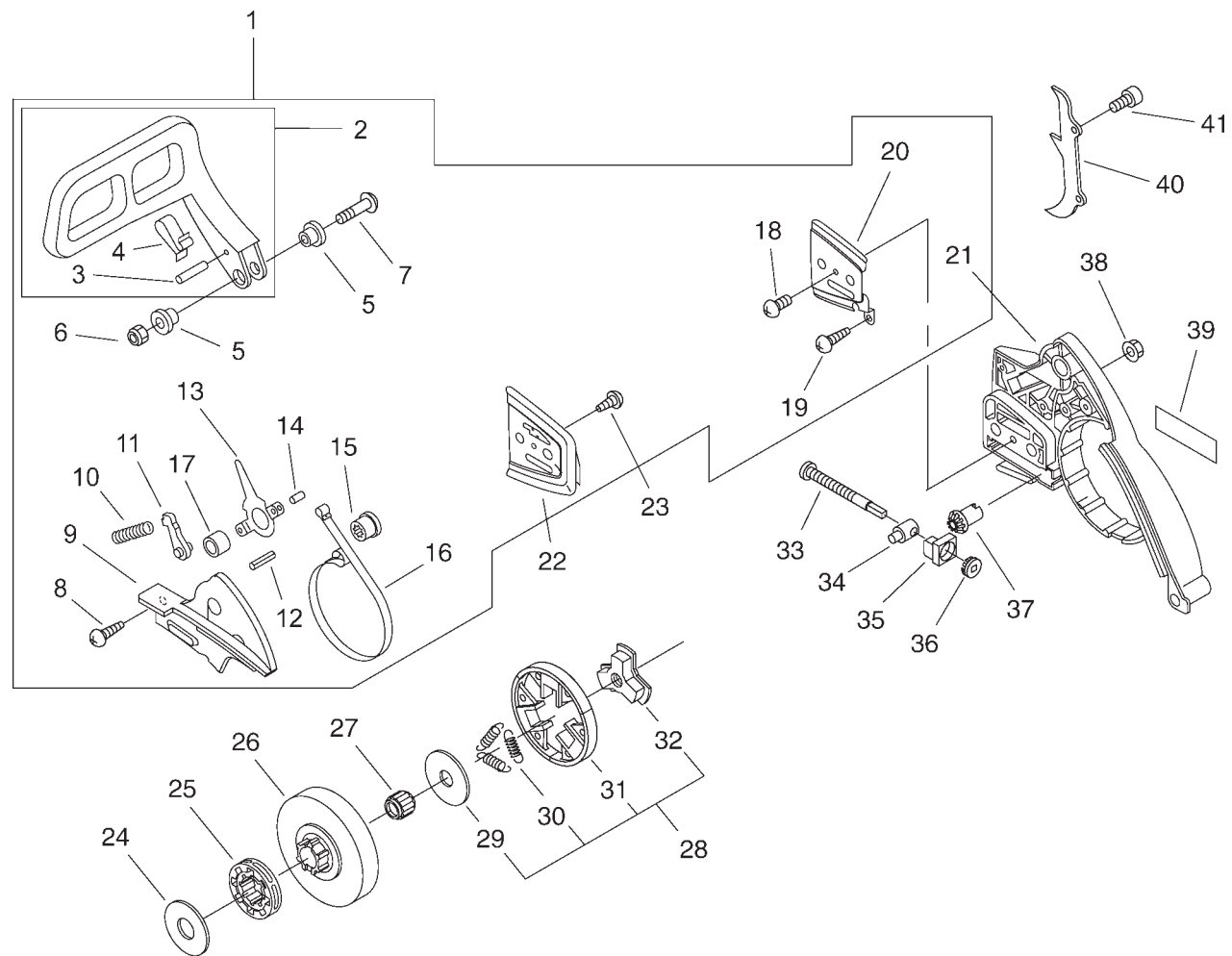
KEY	LV	PART NUMBER	Q'TY	DESCRIPTION	REMARKS
25		151112-04630	1	BUSHING	
26		A411-000090	1	COIL,IGNITION	
27		V420-000620	1	CUSHION	
28		159118-39930	1	GUIDE, CORD	
29		900105-04016	2	BOLT, H.S. 4*16	
30		156630-39930	1	LEAD, GROUND	
31		900216-04006	1	SCREW	



KEY	LV	PART NUMBER	Q'TY	DESCRIPTION	REMARKS
1		900223-04016	2	SCREW	
2		437002-38330	1	AUTO-OILER ASSY	
3	+	437016-38330	1	NEEDLE, ADJUST	
4	+	437029-37330	1	WASHER	
5	+	437015-37330	1	SPRING	
6	+	437024-37330	1	PLUNGER	
7	+	437062-38330	1	CAP, OIL PUMP	
8	+	437019-38330	1	SPRING	
9	+	123127-15030	1	RING	
10		437210-39931	1	PIPE	
11		132013-26630	1	CLIP	
12		175310-38330	1	PLATE, SEAL	
13		132115-12330	1	GROMMET	
14		437210-35430	1	PIPE	
15		436205-14730	1	STRAINER, OIL	
16		898510-39130	1	BAG, TOOL	
17		895610-00130	1	L-WRENCH (4MM)	
18		895410-02830	1	WRENCH, W/S. DRIVER	
19		895812-03930	1	DRIVER, SCREW 50	
20		898513-38330	1	SCABBARD, GUIDE BAR	

**CS-395SP**

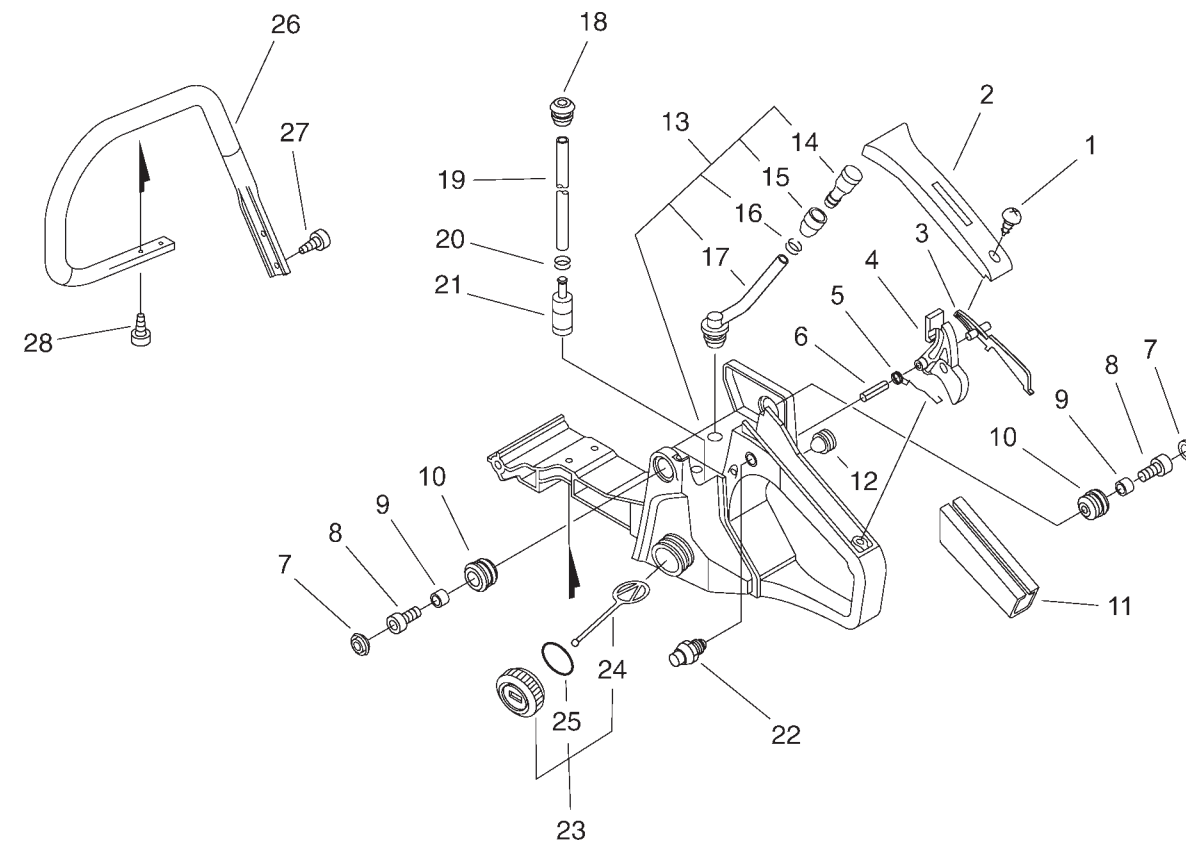
**5 Clutch, Sprocket**



KEY	LV	PART NUMBER	Q'TY	DESCRIPTION	REMARKS
25		175114-12530	1	SPROCKET, RIM .325	
26		175105-35430	1	DRUM, CLUTCH	
27		175012-14630	1	BEARING, NEEDLE	
28		P021-007060	1	CLUTCH ASY W/PLATE	
29	+	175019-39430	1	PLATE, CLUTCH	
30	+	V451-000500	3	SPRING, TENSION	
31	+	P021-007050	1	CLUTCH SHOE SET	
32	+	A552-000060	1	HUB, CLUTCH	
33		V203-000041	1	BOLT, 5	
34		C309-000030	1	TENSIONER, CHAIN	
35		V355-000270	1	COLLAR, 8	
36		V651-000011	1	GEAR, BEVEL	
37		V651-000001	1	GEAR, BEVEL	
38		433019-12330	2	NUT, FLANGE 8	
39		X502-000020	1	LABEL, ECHO	
40		880210-30131	1	BUMPER, SPIKED	
41		900105-05012	2	BOLT, H.S. 5*12	

**CS-395SP**

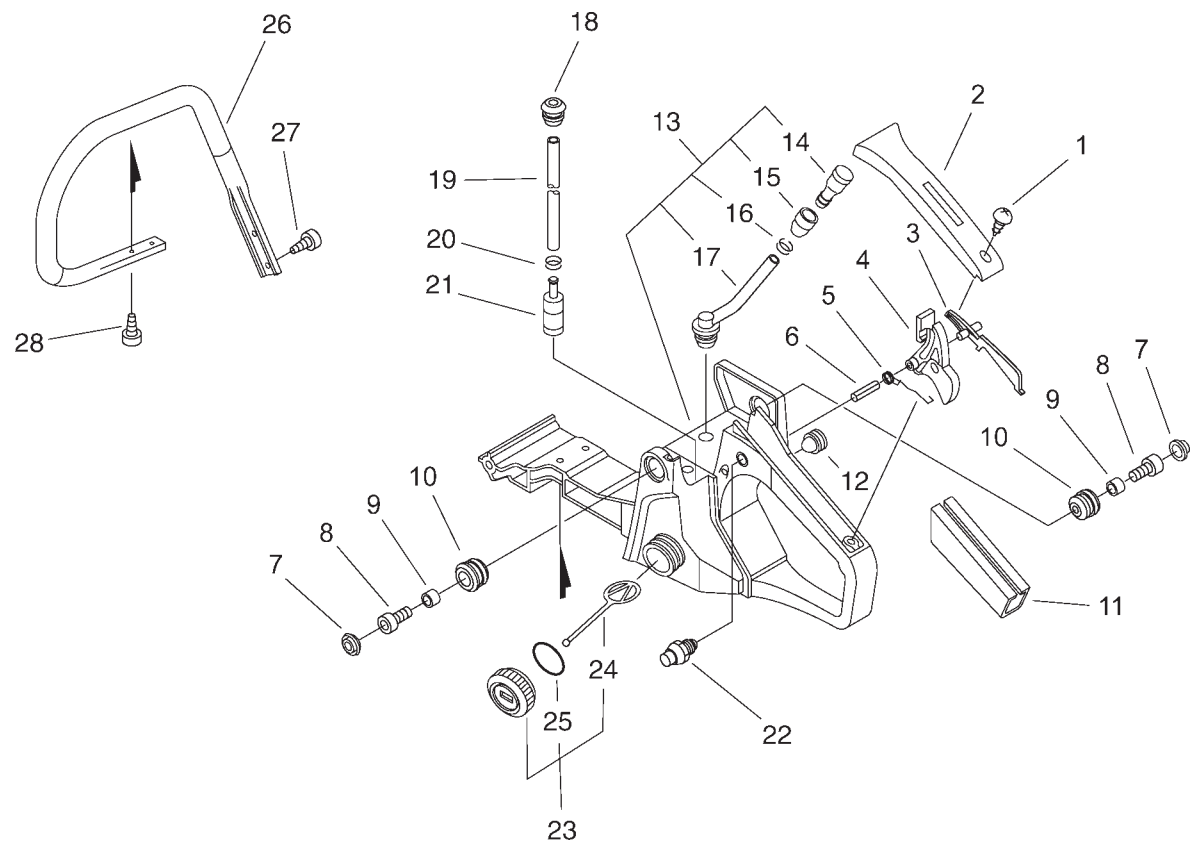
**4 Handle**



KEY	LV	PART NUMBER	Q'TY	DESCRIPTION	REMARKS
1		900253-04014	1	SCREW 4*14	
2		351155-35430	1	COVER, HANDLE (BL)	
3		178090-37930	1	LOCKOUT, T. CONTROL	
4		C450-000000	1	TRIGGER, THROTTLE	
5		178043-35430	1	SPRING, THR. RETURN	
6		900345-40030	1	PIN, SPRING 4*30SUS	
7		100918-19830	2	CAP, CUSHION	
8		900105-04020	2	BOLT, H.S. 4*20	
9		100915-15131	2	SUPPORTER, CUSHION	
10		100910-19730	2	CUSHION	
11		351111-19830	1	GRIP, HANDLE	
12		100252-39930	2	CUSHION	
13		351103-39934	1	HANDLE, REAR	
14	+	131300-56430	1	VALVE, CHECK	
15	+	131328-40630	1	COVER, VENT	
16	+	132013-26630	1	CLIP	
17	+	132012-39930	1	PIPE, W/GROMMET	
18		132115-04920	1	GROMMET	
19		132010-00760	1	PIPE, FUEL	
20		132013-09820	1	CLIP	
21		131205-19830	1	STRAINER, FUEL	
22		V162-000040	1	PLUG	
23		131004-37932	1	CAP ASY, FUEL	
24	+	A365-000050	1	CONNECTOR, CAP	

**CS-395SP**

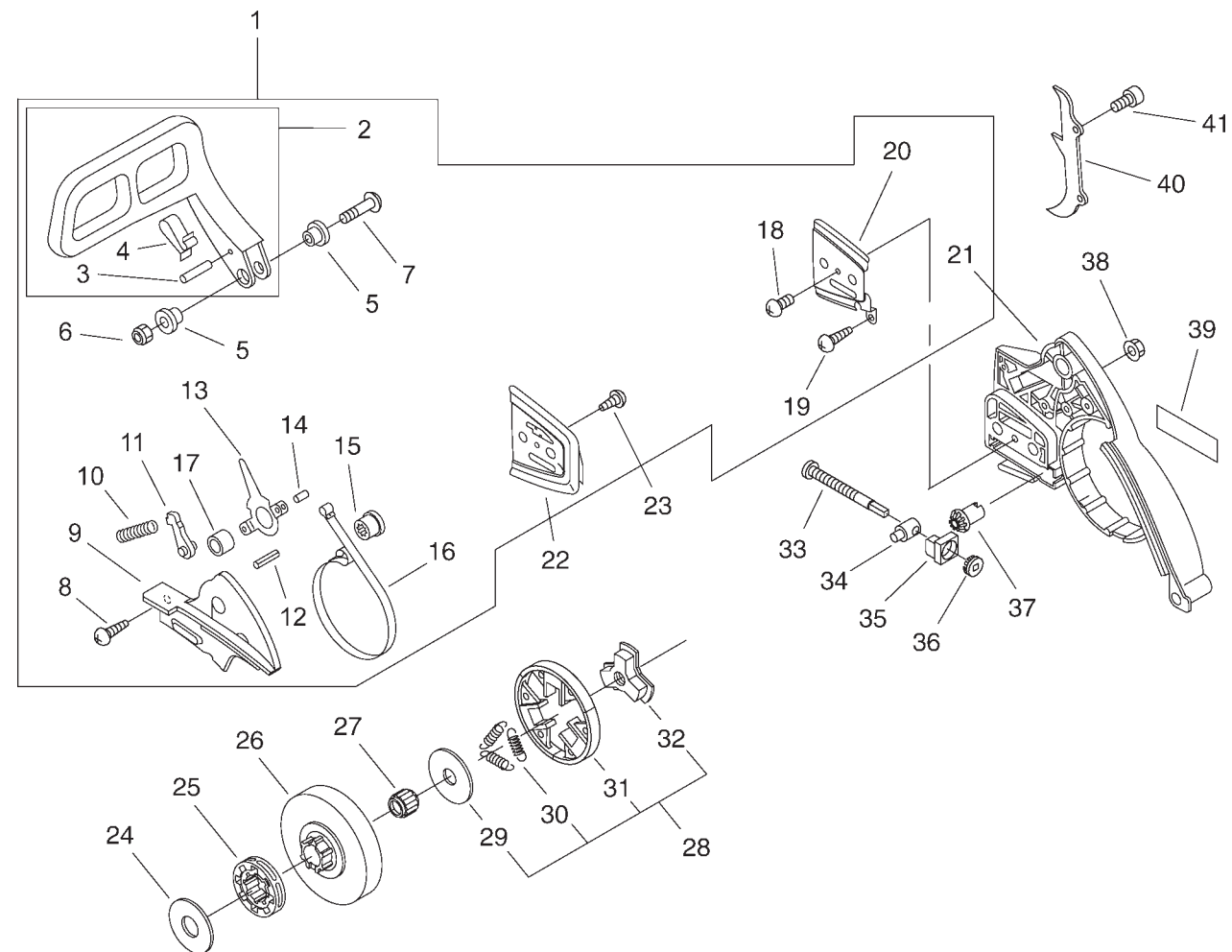
**4 Handle**



KEY	LV	PART NUMBER	Q'TY	DESCRIPTION	REMARKS
25	+	900720-00022	1	O-RING 22	
26		351606-39931	1	HANDLE, FRONT	
27		91145-05020	2	BOLT HS TAPPING	
28		91145-05016	2	BOLT HS TAPPING	

**CS-395SP**

**5 Clutch, Sprocket**



KEY	LV	PART NUMBER	Q'TY	DESCRIPTION	REMARKS
1		C032-000017	1	BRAKE,ASM CHAIN	
2	+	433105-60030	1	LEVER, BRAKE	
3	++	900330-30240	1	PIN 3*24	
4	++	433114-38331	1	SPRING	
5	+	900562-50005	1	LOCKNUT 5	
6	+	433167-39130	2	SPACER	
7	+	91318-05032	1	SCREW	
8	+	900253-04010	2	SCREW 4*10	
9	+	433310-38330	1	COVER, BRAKE	
10	+	433122-35430	1	SPRING, BRAKE	
11	+	433209-35430	1	STOPPER, BRAKE	
12	+	433115-38330	1	WASHER 5.2*12*14	
13	+	433208-35431	1	LEVER, BRAKE	
14	+	900330-40088	1	ROLLER 4*8.8	
15	+	433142-35430	1	ADJUSTER, BRAKE	
16	+	900342-25012	1	PIN, SPRING 2.5*12	
17	+	C328-000060	1	BAND,BRAKE	
18	+	900220-03006	1	SCREW 3*6	
19	+	900253-04008	1	SCREW 4*8	
20	+	C305-000011	1	PLATE, SPROCKET GUARD	
21	+	433005-60935	1	GUARD, SPROCKET	
22		433012-39930	1	PLATE, GUIDÉ	
23		900220-04006	1	SCREW 4*6	
24		175019-38330	1	PLATE, CLUTCH	



 **KIORITZ CORPORATION**

7-2 SUEHIROCHO 1-CHOME, OHME, TOKYO 198-8711, JAPAN  
PHONE: 81-428-32-6118. FAX: 81-428-32-6145.





# **PARTS CATALOGUE**

## **CHAIN SAW CS-395SP**

200512 No.62-047(621088)621069